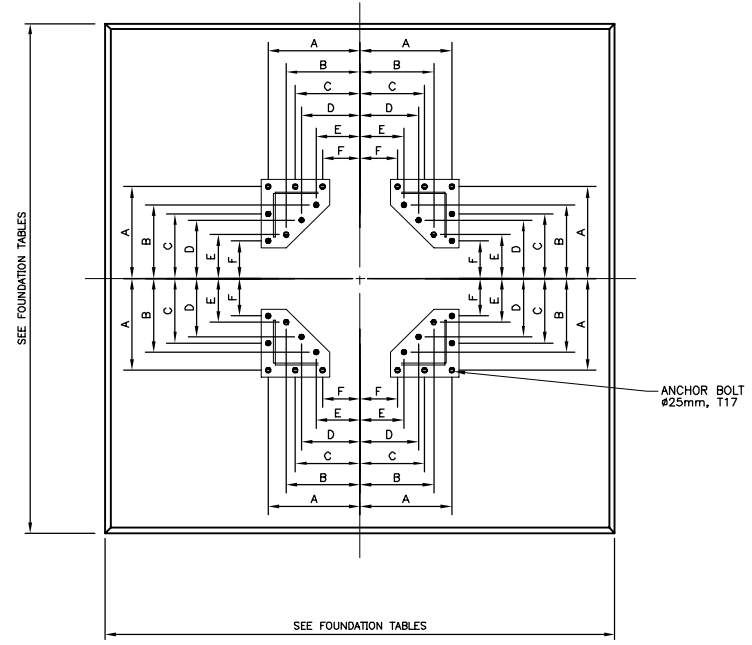
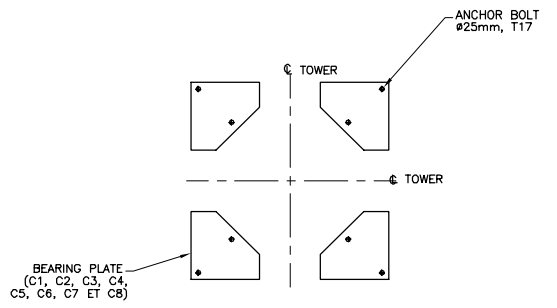


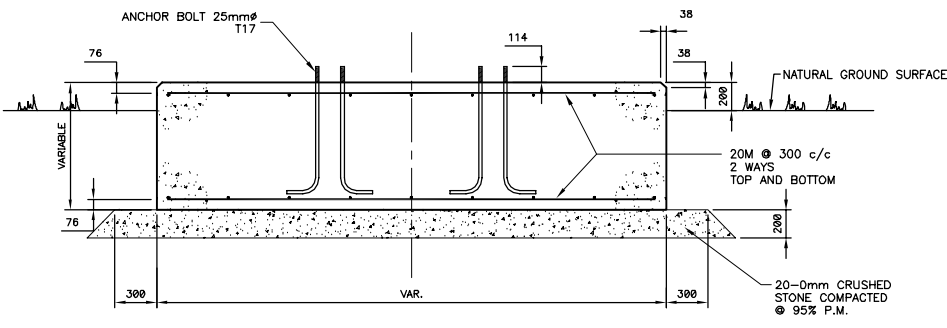
Services techniques  
 Systèmes électroniques et informatiques  
 Informations techniques et graphiques  
 101 Blvd. Champlain (dépot 18)  
 Québec (Québec) G1K 7T7



PLAN VIEW  
 STANDARD FOUNDATION  
 SCALE 1:25



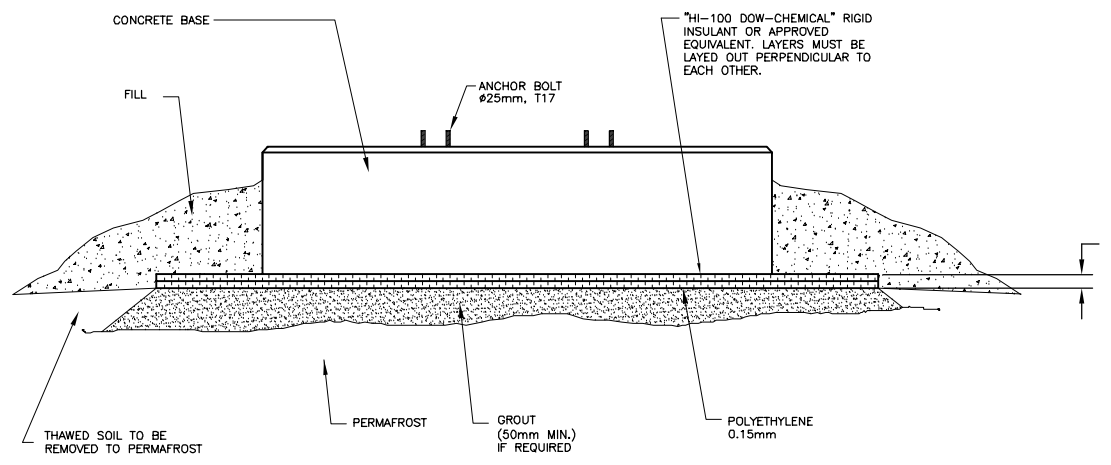
PLAN VIEW  
 STANDARD FONDATION  
 SCALE 1:25



SECTION "A"  
 SCALE 1:25

| CONCRETE          |                                    |            |             |                        |                 |
|-------------------|------------------------------------|------------|-------------|------------------------|-----------------|
| CLASS OF EXPOSURE | 28 DAYS COMPRESSIVE STRENGTH (MPa) | SUMP (mm.) | AIR CONTENT | AGGREGATES (MAX.) (mm) | PORTLAND CEMENT |
| E-1               | 35 MPa                             | 80±20      | 5 @ 8%      | 20                     | TYPE 10SF       |

- CASTING : CAN/CSA - A23.1-94  
 - CURING : CAN/CSA - A23.1-94



SECTION "A"  
 FOUNDATION ON PERMAFROST  
 SCALE 1:25

| FOUNDATION<br>500 Pa WIND ZONE |                |             |            |                                   |            |               |               |               |               |               |               |
|--------------------------------|----------------|-------------|------------|-----------------------------------|------------|---------------|---------------|---------------|---------------|---------------|---------------|
| HEIGHT (m)                     | THICKNESS (mm) | LENGTH (mm) | WIDTH (mm) | NUMBER OF ANCHOR BOLTS 25mmØ-A325 | BASE PLATE | DIMENSION "A" | DIMENSION "B" | DIMENSION "C" | DIMENSION "D" | DIMENSION "E" | DIMENSION "F" |
| 3.0 (10ft)                     | 610            | 1829        | 1829       | 8                                 | C1         | 660           | -             | -             | 420           | -             | -             |
| 4.6 (15ft)                     | 610            | 1829        | 1829       | 8                                 | C1         | 660           | -             | -             | 420           | -             | -             |
| 6.1 (20ft)                     | 914            | 2438        | 2438       | 8                                 | C1         | 660           | -             | -             | 420           | -             | -             |
| 7.6 (25ft)                     | 914            | 3048        | 3048       | 8                                 | C2         | 660           | -             | -             | 420           | -             | -             |
| 9.1 (30ft)                     | 914            | 3658        | 3658       | 8                                 | C2         | 660           | -             | -             | 420           | -             | -             |
| 10.7 (35ft)                    | 914            | 3962        | 3962       | 8                                 | C3         | 660           | -             | -             | 420           | -             | -             |
| 12.2 (40ft)                    | 914            | 4267        | 4267       | 8                                 | C3         | 660           | -             | -             | 420           | -             | -             |
| 13.7 (45ft)                    | 914            | 4572        | 4572       | 8                                 | C4         | 660           | -             | -             | 420           | -             | -             |
| 15.2 (50ft)                    | 1219           | 4572        | 4572       | 8                                 | C4         | 660           | -             | -             | 420           | -             | -             |
| 16.8 (55ft)                    | 1219           | 4877        | 4877       | 16                                | C5         | 660           | -             | -             | 420           | -             | 270           |
| 18.3 (60ft)                    | 1219           | 5182        | 5182       | 16                                | C5         | 660           | -             | -             | 420           | -             | 270           |
| 19.8 (65ft)                    | 1219           | 5182        | 5182       | 16                                | C6         | 812           | -             | -             | 572           | -             | 422           |
| 21.3 (70ft)                    | 1219           | 5486        | 5486       | 16                                | C7         | 812           | -             | -             | 572           | -             | 422           |
| 22.9 (75ft)                    | 1219           | 5791        | 5791       | 16                                | C8         | 812           | -             | -             | 572           | -             | 422           |
| 24.4 (80ft)                    | 1219           | 6096        | 6096       | 16                                | C8         | 812           | -             | -             | 572           | -             | 422           |

| FOUNDATION<br>1135 Pa WIND ZONE |                |             |            |                                   |            |               |               |               |               |               |               |
|---------------------------------|----------------|-------------|------------|-----------------------------------|------------|---------------|---------------|---------------|---------------|---------------|---------------|
| HEIGHT (m)                      | THICKNESS (mm) | LENGTH (mm) | WIDTH (mm) | NUMBER OF ANCHOR BOLTS 25mmØ-A325 | BASE PLATE | DIMENSION "A" | DIMENSION "B" | DIMENSION "C" | DIMENSION "D" | DIMENSION "E" | DIMENSION "F" |
| 3.0 (10ft)                      | 914            | 1829        | 1829       | 8                                 | C1         | 660           | -             | -             | 420           | -             | -             |
| 4.6 (15ft)                      | 914            | 2134        | 2134       | 8                                 | C1         | 660           | -             | -             | 420           | -             | -             |
| 6.1 (20ft)                      | 914            | 3048        | 3048       | 8                                 | C1         | 660           | -             | -             | 420           | -             | -             |
| 7.6 (25ft)                      | 914            | 4267        | 4267       | 8                                 | C2         | 660           | -             | -             | 420           | -             | -             |
| 9.1 (30ft)                      | 1219           | 4267        | 4267       | 8                                 | C2         | 660           | -             | -             | 420           | -             | -             |
| 10.7 (35ft)                     | 1219           | 4877        | 4877       | 16                                | C3         | 660           | -             | -             | 420           | -             | 270           |
| 12.2 (40ft)                     | 1219           | 5486        | 5486       | 16                                | C3         | 660           | -             | -             | 420           | -             | 270           |
| 13.7 (45ft)                     | 1219           | 5791        | 5791       | 16                                | C4         | 660           | -             | -             | 420           | -             | 270           |
| 15.2 (50ft)                     | 1219           | 6401        | 6401       | 24                                | C4         | 660           | -             | -             | 420           | -             | 270           |
| 16.8 (55ft)                     | 1219           | 6706        | 6706       | 24                                | C5         | 660           | -             | 465           | 420           | -             | 270           |
| 18.3 (60ft)                     | 1219           | 7010        | 7010       | 24                                | C5         | 660           | -             | 465           | 420           | -             | 270           |
| 19.8 (65ft)                     | 1219           | 7010        | 7010       | 24                                | C6         | 812           | -             | 617           | 572           | -             | 422           |
| 21.3 (70ft)                     | 1219           | 7620        | 7620       | 32                                | C7         | 812           | 682           | 617           | 572           | 467           | 422           |
| 22.9 (75ft)                     | 1219           | 7925        | 7925       | 32                                | C8         | 812           | 682           | 617           | 572           | 467           | 422           |
| 24.4 (80ft)                     | 1219           | 8230        | 8230       | 32                                | C8         | 812           | 682           | 617           | 572           | 467           | 422           |

\* WHEN STEEL FENCE IS INCLUDED IN CONTRACT, MINIMUM DIMENSIONS OF CONCRETE FOUNDATION SHALL BE 2439x2439xREQUIRED THICKNESS.

NOTE: -ASSUMED BEARING CAPACITY OF SOIL = 100 kPa  
 -TOP SOIL SHALL BE REMOVED.  
 -20-0mm GRANULAR FOUNDATION MAY BE REPLACED BY AN EQUIVALENT DRAINING MATERIAL OR BY UNDISTURBED SOIL FOLLOWING GEOTECHNICAL LABORATORY RECOMMENDATIONS.

|   |                  |        |          |
|---|------------------|--------|----------|
| 3 | FOR CONSTRUCTION | P-C.G. | 04-05-31 |
| 2 | DEFINITIVE       | P-C.G. | 04-01-08 |
| 1 | DEFINITIVE       | P-C.G. | 03-12-23 |

| Révision | Description   | Par/By | Date |
|----------|---|--------|------|
| A        | A: Numéro du détail<br>Détail no.                                       |        |      |
| B        | B: Feuille sur laquelle le détail est référencé<br>Location drawing no. |        |      |
| C        | C: Feuille sur laquelle le détail est dessiné<br>Drawing no.            |        |      |

Toute modification doit être rapportée à:  
 All modification must be reported to:  
 GARDE CÔTIÈRE, RÉGION LAURENTIENNE  
 SERVICES TECHNIQUES  
 Systèmes électroniques et informatiques  
 Informations Techniques et Graphiques

Dossier:  
 File:  
**LATTICED STEEL TOWERS**  
 HEIGHT 3m (10ft) @ 24.4m (80ft)

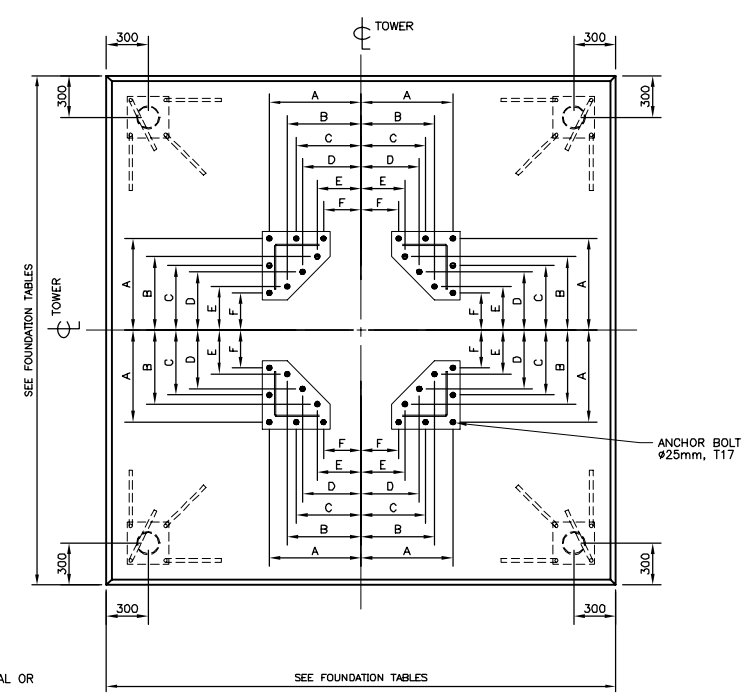
Dessiné par:  
 Drawn by:  
**ERIC GAGNON, tech.** 2003/05/30

Vérifié par:  
 Verified by:  
**P.-C. GAGNON, Ing.** 2003/05/30

Approuvé par:  
 Approved by:

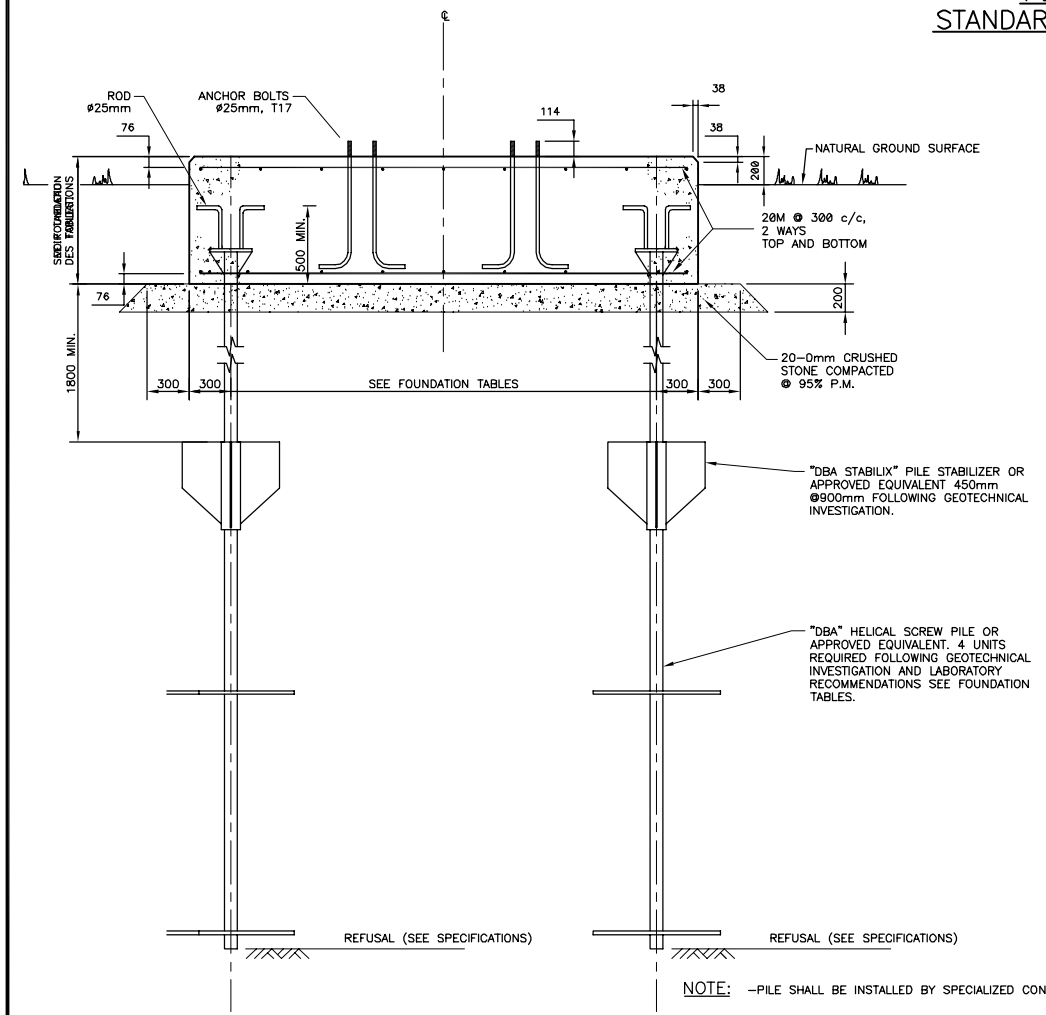
|                             |                            |
|-----------------------------|----------------------------|
| No. dossier:<br>File no.:   | Échelle:<br>Scale:         |
| <b>INDICATED</b>            |                            |
| No. dessin:<br>Drawing no.: | No. feuille:<br>Sheet no.: |
| 08733                       | 17                         |

Services techniques  
 Systèmes électroniques et informatiques  
 Informations techniques et graphiques  
 101 Blvd. Champlain (dépt 18)  
 Québec (Québec) G1K 7Y7



NOTE: -ASSUMED BEARING CAPACITY OF SOIL = 100 kPa  
 -TOP SOIL SHALL BE REMOVED.  
 -20-0mm GRANULAR FOUNDATION MAY BE REPLACED BY AN EQUIVALENT DRAINING MATERIAL OR BY UNDISTURBED SOIL FOLLOWING GEOTECHNICAL LABORATORY RECOMMENDATIONS.

PLAN VIEW  
 STANDARD FOUNDATION  
 SCALE 1:25



| CONCRETE          |                                    |            |             |                        |                 |
|-------------------|------------------------------------|------------|-------------|------------------------|-----------------|
| CLASS OF EXPOSURE | 28 DAYS COMPRESSIVE STRENGTH (MPa) | SUMP (mm.) | AIR CONTENT | AGGREGATES (MAX.) (mm) | PORTLAND CEMENT |
| E-1               | 35 MPa                             | 80±20      | 5 @ 8%      | 20                     | TYPE 10SF       |

- CASTING : CAN/CSA - A23.1-94  
 - CURING : CAN/CSA - A23.1-94

NOTE: -PILE SHALL BE INSTALLED BY SPECIALIZED CONTRACTOR  
 \*MINIMUM TESTING LOADS:  
 -AXIAL COMPRESSION: 200% OF CHARGE TO BE RESISTED INDICATED IN TABLES.  
 -AXIAL TENSION: 150% OF CHARGE TO BE RESISTED INDICATED IN TABLES.  
 \* AT LEAST ONE (1) PILE SHALL BE TESTED.

SECTION "A"  
 SCALE 1:25

| FOUNDATION<br>1135 Pa WIND ZONE |                |             |            |                                   |                    |                                 |            |               |               |               |               |               |               |
|---------------------------------|----------------|-------------|------------|-----------------------------------|--------------------|---------------------------------|------------|---------------|---------------|---------------|---------------|---------------|---------------|
| HEIGHT (m)                      | THICKNESS (mm) | LENGTH (mm) | WIDTH (mm) | NUMBER OF ANCHOR BOLTS 25mmØ-A325 | PILE DIAMETER (mm) | LOAD TO BE RESISTED / PILE (kN) | BASE PLATE | DIMENSION "A" | DIMENSION "B" | DIMENSION "C" | DIMENSION "D" | DIMENSION "E" | DIMENSION "F" |
| 3.0 (10ft)                      | 915            | 1829        | 1829       | 8                                 | -                  | -                               | C1         | 680           | -             | -             | 420           | -             | -             |
| 4.6 (15ft)                      | 915            | 1829        | 1829       | 8                                 | 89                 | 14                              | C1         | 680           | -             | -             | 420           | -             | -             |
| 6.1 (20ft)                      | 915            | 1829        | 1829       | 8                                 | 114                | 61                              | C1         | 680           | -             | -             | 420           | -             | -             |
| 7.6 (25ft)                      | 915            | 1829        | 1829       | 8                                 | 114                | 145                             | C2         | 680           | -             | -             | 420           | -             | -             |
| 9.1 (30ft)                      | 915            | 1829        | 1829       | 8                                 | 114                | 155                             | C2         | 680           | -             | -             | 420           | -             | -             |
| 10.7 (35ft)                     | 1219           | 2439        | 2439       | 16                                | 114                | 212                             | C3         | 680           | -             | -             | 420           | -             | 270           |
| 12.2 (40ft)                     | 1219           | 2439        | 2439       | 16                                | 165                | 274                             | C3         | 680           | -             | -             | 420           | -             | 270           |
| 13.7 (45ft)                     | 1219           | 2439        | 2439       | 16                                | 165                | 341                             | C4         | 680           | -             | -             | 420           | -             | 270           |
| 15.2 (50ft)                     | 1219           | 3048        | 3048       | 24                                | 165                | 340                             | C4         | 680           | -             | 485           | 420           | -             | 270           |
| 16.8 (55ft)                     | 1219           | 3048        | 3048       | 24                                | 165                | 400                             | C5         | 680           | -             | 485           | 420           | -             | 270           |
| 18.3 (60ft)                     | 914            | 3048        | 3048       | 24                                | 165                | 451                             | C5         | 680           | -             | 485           | 420           | -             | 270           |
| 19.8 (65ft)                     | 914            | 3658        | 3658       | 24                                | 165                | 484                             | C6         | 812           | -             | 617           | 572           | -             | 422           |
| 21.3 (70ft)                     | 914            | 3658        | 3658       | 32                                | 165                | 478                             | C7         | 812           | 682           | 617           | 572           | 467           | 422           |
| 22.9 (75ft)                     | 914            | 3658        | 3658       | 32                                | 165                | 429                             | C8         | 812           | 682           | 617           | 572           | 467           | 422           |
| 24.4 (80ft)                     | 914            | 3658        | 3658       | 32                                | 165                | 492                             | C8         | 812           | 682           | 617           | 572           | 467           | 422           |

| FOUNDATION<br>500 Pa WIND ZONE |                |             |            |                                   |                    |                                 |            |               |               |               |               |               |               |
|--------------------------------|----------------|-------------|------------|-----------------------------------|--------------------|---------------------------------|------------|---------------|---------------|---------------|---------------|---------------|---------------|
| HEIGHT (m)                     | THICKNESS (mm) | LENGTH (mm) | WIDTH (mm) | NUMBER OF ANCHOR BOLTS 25mmØ-A325 | PILE DIAMETER (mm) | LOAD TO BE RESISTED / PILE (kN) | BASE PLATE | DIMENSION "A" | DIMENSION "B" | DIMENSION "C" | DIMENSION "D" | DIMENSION "E" | DIMENSION "F" |
| 3.0 (10ft)                     | 915            | 1829        | 1829       | 8                                 | -                  | -                               | C1         | 680           | -             | -             | 420           | -             | -             |
| 4.6 (15ft)                     | 915            | 1829        | 1829       | 8                                 | -                  | -                               | C1         | 680           | -             | -             | 420           | -             | -             |
| 6.1 (20ft)                     | 915            | 1829        | 1829       | 8                                 | 114                | 18                              | C1         | 680           | -             | -             | 420           | -             | -             |
| 7.6 (25ft)                     | 915            | 1829        | 1829       | 8                                 | 114                | 54                              | C2         | 680           | -             | -             | 420           | -             | -             |
| 9.1 (30ft)                     | 915            | 1829        | 1829       | 8                                 | 114                | 84                              | C2         | 680           | -             | -             | 420           | -             | -             |
| 10.7 (35ft)                    | 1219           | 2439        | 2439       | 8                                 | 114                | 116                             | C3         | 680           | -             | -             | 420           | -             | -             |
| 12.2 (40ft)                    | 1219           | 2439        | 2439       | 8                                 | 114                | 151                             | C3         | 680           | -             | -             | 420           | -             | -             |
| 13.7 (45ft)                    | 1219           | 2439        | 2439       | 8                                 | 114                | 187                             | C4         | 680           | -             | -             | 420           | -             | -             |
| 15.2 (50ft)                    | 1219           | 3048        | 3048       | 8                                 | 114                | 171                             | C4         | 680           | -             | -             | 420           | -             | -             |
| 16.8 (55ft)                    | 1219           | 3048        | 3048       | 16                                | 114                | 199                             | C5         | 680           | -             | -             | 420           | -             | 270           |
| 18.3 (60ft)                    | 914            | 3048        | 3048       | 16                                | 114                | 188                             | C5         | 680           | -             | -             | 420           | -             | 270           |
| 19.8 (65ft)                    | 914            | 3658        | 3658       | 16                                | 114                | 199                             | C6         | 812           | -             | -             | 572           | -             | 422           |
| 21.3 (70ft)                    | 914            | 3658        | 3658       | 16                                | 114                | 171                             | C7         | 812           | -             | -             | 572           | -             | 422           |
| 22.9 (75ft)                    | 914            | 3658        | 3658       | 16                                | 114                | 177                             | C8         | 812           | -             | -             | 572           | -             | 422           |
| 24.4 (80ft)                    | 914            | 3658        | 3658       | 16                                | 114                | 182                             | C8         | 812           | -             | -             | 572           | -             | 422           |

\* WHEN STEEL FENCE IS INCLUDED IN CONTRACT, MINIMUM DIMENSIONS OF CONCRETE FOUNDATION SHALL BE 2439x2439xREQUIRED THICKNESS.

|   |                              |                 |
|---|------------------------------|-----------------|
| 4 | FOR CONSTRUCTION, REVISION 1 | P-C.G. 04-08-01 |
| 3 | FOR CONSTRUCTION             | P-C.G. 04-05-31 |
| 2 | DEFINITIVE                   | P-C.G. 04-01-08 |
| 1 | DEFINITIVE                   | P-C.G. 03-12-83 |

| Révision | Description                                  | Par/By | Date |
|----------|--|--------|------|
| A        | Numéro du détail                             |        |      |
| B        | Feuille sur laquelle le détail est référencé |        |      |
| C        | Feuille sur laquelle le détail est dessiné   |        |      |

Toute modification doit être rapportée à:  
 All modification must be reported to:  
 GARDE CÔTIÈRE, RÉGION LAURENTIENNE  
 SERVICES TECHNIQUES  
 Systèmes électroniques et informatiques  
 Informations Techniques et Graphiques

Dossier:  
 File:  
**LATTICED STEEL TOWERS**  
 HEIGHT 3m (10ft) @ 24.4m (80ft)

Dessin:  
 Drawing:  
 FOUNDATIONS AND ANCHORAGE  
 OPTION "2"  
 ERECTING PLAN

Conçu par:  
 Drawn by:  
**P.-C. GAGNON, Ing. 2003/05/30**

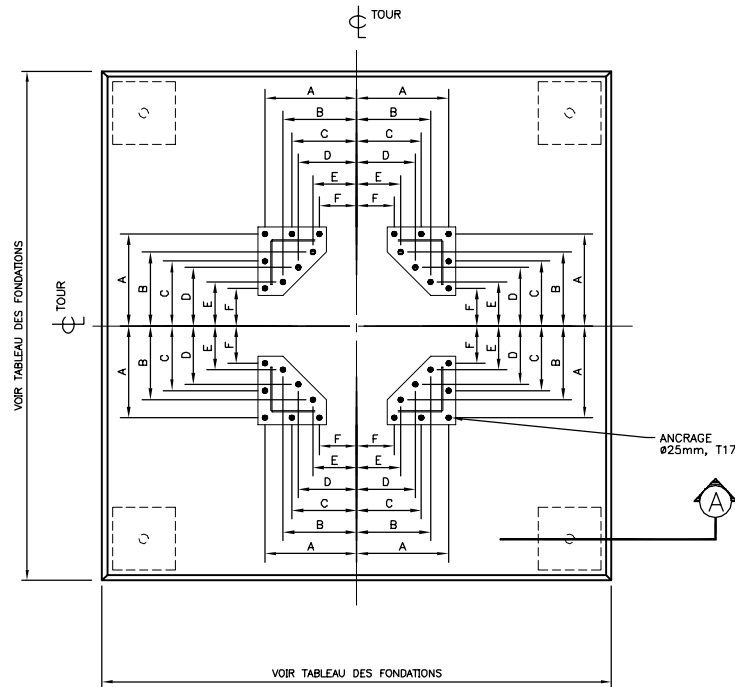
Dessiné par:  
 Drawn by:  
**ERIC GAGNON, tech. 2003/05/30**

Vérifié par:  
 Verified by:  
**P.-C. GAGNON, Ing. 2003/05/30**

Approuvé par:  
 Approved by:

No. dossier:  
 File no.:  
 No. dessin:  
 Drawing no.:  
 Échelle:  
 Scale:  
**INDICATED**  
 08733 18

Services techniques et Informatiques  
 Systèmes électroniques et Informatiques  
 Informations techniques et graphiques  
 101, Boul. Champlain (dépt 18)  
 Québec (Québec) G1K 7Y7



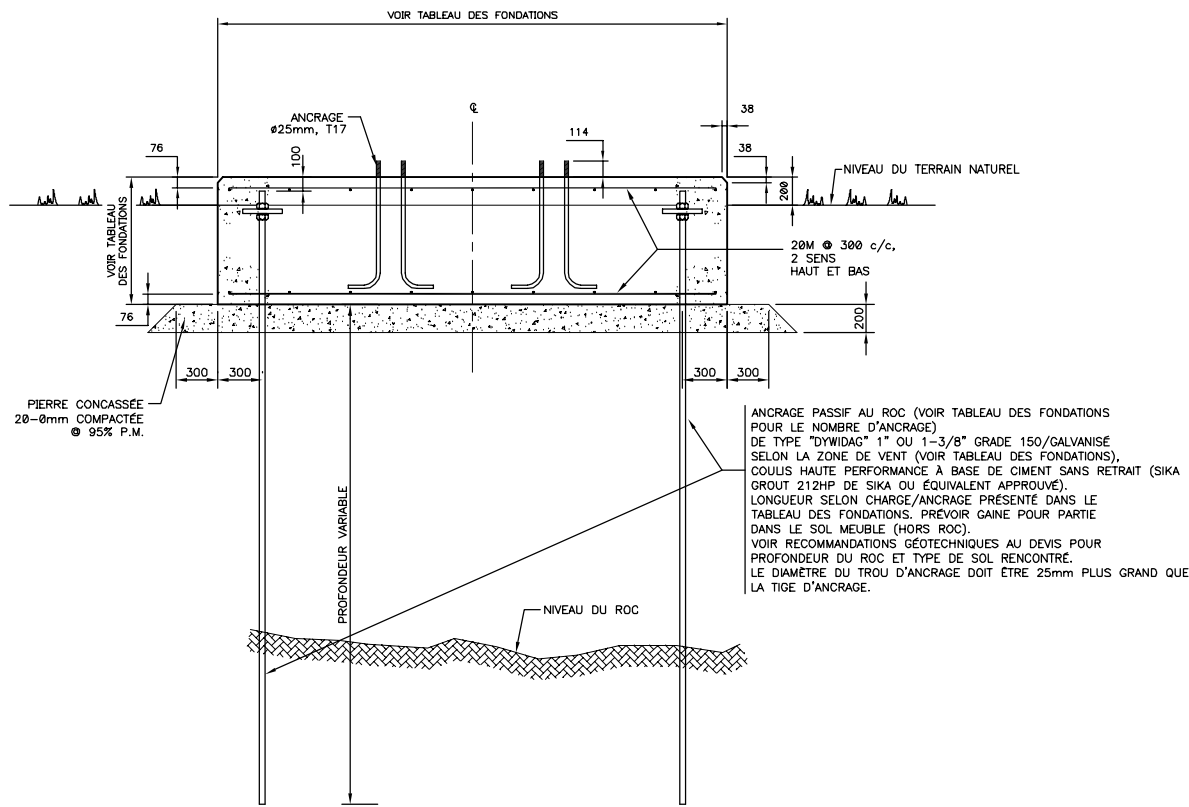
| BÉTON         |                             |                    |                  |                       |           |
|---------------|-----------------------------|--------------------|------------------|-----------------------|-----------|
| TYPE DE BÉTON | RÉSISTANCE À 28 JOURS (MPa) | AFFAISSEMENT (mm.) | AIR ENTRAÎNÉ (%) | GRANULATS (MAX.) (mm) | CIMENT    |
| E-1           | 35 MPa                      | 80±20              | 5 @ 8%           | 20                    | TYPE 10SF |

- MISE EN PLACE : CAN/CSA - A23.1-94  
 - CURE : CAN/CSA - A23.1-94

VUE EN PLAN  
 FONDATION SUR LE ROC

ECH.: 1:25

NOTE: -CAPACITÉ PORTANTE DU SOL ASSUMÉE = 100 kPa  
 -LA TERRE VÉGÉTALE DOIT ÊTRE ENLEVÉE.  
 -LA FONDATION DE 20-0mm PEUT ÊTRE REMPLACÉE PAR UN MATÉRIAU DRAINANT ÉQUIVALENT OU PAR LE SOL NON-REMANIÉ SELON LES RECOMMANDATIONS DU LABORATOIRE GÉOTECHNIQUE.



ANCRAGE PASSIF AU ROC (VOIR TABLEAU DES FONDATIONS POUR LE NOMBRE D'ANCRAGE) DE TYPE "DYWIDAG" 1" OU 1-3/8" GRADE 150/GALVANISÉ SELON LA ZONE DE VENT (VOIR TABLEAU DES FONDATIONS), COULIS HAUTE PERFORMANCE À BASE DE CIMENT SANS RETRAIT (SIKA GROUT 212HP DE SIKA OU ÉQUIVALENT APPROUVÉ), LONGUEUR SELON CHARGE/ANCRAGE PRÉSENTÉ DANS LE TABLEAU DES FONDATIONS. PRÉVOIR GAINÉ POUR PARTIE DANS LE SOL MEUBLE (HORS ROC). VOIR RECOMMANDATIONS GÉOTECHNIQUES AU DEVIS POUR PROFONDEUR DU ROC ET TYPE DE SOL RENCONTRÉ. LE DIAMÈTRE DU TROU D'ANCRAGE DOIT ÊTRE 25mm PLUS GRAND QUE LA TIGE D'ANCRAGE.

NOTE: -CHAQUE ANCRAGE AU ROC DOIT ÊTRE TESTÉ PAR UNE MISE EN TENSION DE 100% DE LA CHARGE À COMPENSER INDICUÉE AU TABLEAU POUR UNE PÉRIODE MINIMALE DE 15min.

COUPE "A"  
 ECH.: 1:25

TABLEAU DES FONDATIONS  
 ZONE DE VENT= 1135Pa

| HAUTEUR DE LA TOUR (m) | ÉPAISSEUR (mm) | LONGUEUR (mm) | LARGEUR (mm) | NOMBRE DE BOULONS 25mmØ-A325 | NOMBRE D'ANCRAGE "DYWIDAG" 1-3/8"Ø | CHARGE À COMPENSER/ANCRAGE (kN) | PLAQUE D'ASSISE | DIMENSION "A" | DIMENSION "B" | DIMENSION "C" | DIMENSION "D" | DIMENSION "E" | DIMENSION "F" |
|------------------------|----------------|---------------|--------------|------------------------------|------------------------------------|---------------------------------|-----------------|---------------|---------------|---------------|---------------|---------------|---------------|
| 3,0 (10p)              | 610            | 1829          | 1829         | 8                            | -                                  | -                               | C1              | 660           | -             | -             | 420           | -             | -             |
| 4,6 (15p)              | 610            | 1829          | 1829         | 8                            | 4                                  | 14,48                           | C1              | 660           | -             | -             | 420           | -             | -             |
| 6,1 (20p)              | 610            | 1829          | 1829         | 8                            | 4                                  | 61,24                           | C1              | 660           | -             | -             | 420           | -             | -             |
| 7,6 (25p)              | 610            | 1829          | 1829         | 8                            | 4                                  | 145,70                          | C2              | 660           | -             | -             | 420           | -             | -             |
| 9,1 (30p)              | 610            | 2439          | 2439         | 8                            | 4                                  | 155,19                          | C2              | 660           | -             | -             | 420           | -             | -             |
| 10,7 (35p)             | 610            | 2439          | 2439         | 16                           | 4                                  | 212,18                          | C3              | 660           | -             | -             | 420           | -             | 270           |
| 12,2 (40p)             | 610            | 2439          | 2439         | 16                           | 4                                  | 274,64                          | C3              | 660           | -             | -             | 420           | -             | 270           |
| 13,7 (45p)             | 610            | 3048          | 3048         | 16                           | 4                                  | 341,04                          | C4              | 660           | -             | -             | 420           | -             | 270           |
| 15,2 (50p)             | 610            | 3048          | 3048         | 24                           | 4                                  | 339,75                          | C4              | 660           | -             | 465           | 420           | -             | 270           |
| 16,8 (55p)             | 610            | 3048          | 3048         | 24                           | 8                                  | 266,04                          | C5              | 660           | -             | 465           | 420           | -             | 270           |
| 18,3 (60p)             | 610            | 3048          | 3048         | 24                           | 8                                  | 311,54                          | C5              | 660           | -             | 465           | 420           | -             | 270           |
| 19,8 (65p)             | 610            | 3048          | 3048         | 24                           | 8                                  | 333,62                          | C6              | 812           | -             | 617           | 572           | -             | 422           |
| 21,3 (70p)             | 610            | 3658          | 3658         | 32                           | 8                                  | 334,61                          | C7              | 812           | 682           | 617           | 572           | 467           | 422           |
| 22,9 (75p)             | 610            | 4572          | 4572         | 32                           | 8                                  | 309,79                          | C8              | 812           | 682           | 617           | 572           | 467           | 422           |
| 24,4 (80p)             | 610            | 4572          | 4572         | 32                           | 8                                  | 351,79                          | C8              | 812           | 682           | 617           | 572           | 467           | 422           |

TABLEAU DES FONDATIONS  
 ZONE DE VENT= 500Pa

| HAUTEUR DE LA TOUR (m) | ÉPAISSEUR (mm) | LONGUEUR (mm) | LARGEUR (mm) | NOMBRE DE BOULONS 25mmØ-A325 | NOMBRE D'ANCRAGE "DYWIDAG" 1"Ø | CHARGE À COMPENSER/ANCRAGE (kN) | PLAQUE D'ASSISE | DIMENSION "A" | DIMENSION "B" | DIMENSION "C" | DIMENSION "D" | DIMENSION "E" | DIMENSION "F" |
|------------------------|----------------|---------------|--------------|------------------------------|--------------------------------|---------------------------------|-----------------|---------------|---------------|---------------|---------------|---------------|---------------|
| 3,0 (10p)              | 610            | 1829          | 1829         | 8                            | -                              | -                               | C1              | 660           | -             | -             | 420           | -             | -             |
| 4,6 (15p)              | 610            | 1829          | 1829         | 8                            | -                              | -                               | C1              | 660           | -             | -             | 420           | -             | -             |
| 6,1 (20p)              | 610            | 1829          | 1829         | 8                            | 4                              | 18,05                           | C1              | 660           | -             | -             | 420           | -             | -             |
| 7,6 (25p)              | 610            | 1829          | 1829         | 8                            | 4                              | 54,36                           | C2              | 660           | -             | -             | 420           | -             | -             |
| 9,1 (30p)              | 610            | 1829          | 1829         | 8                            | 4                              | 84,21                           | C2              | 660           | -             | -             | 420           | -             | -             |
| 10,7 (35p)             | 610            | 1829          | 1829         | 8                            | 4                              | 115,91                          | C3              | 660           | -             | -             | 420           | -             | -             |
| 12,2 (40p)             | 610            | 1829          | 1829         | 8                            | 4                              | 150,65                          | C3              | 660           | -             | -             | 420           | -             | -             |
| 13,7 (45p)             | 610            | 1829          | 1829         | 8                            | 4                              | 167,44                          | C4              | 660           | -             | -             | 420           | -             | -             |
| 15,2 (50p)             | 610            | 2439          | 2439         | 8                            | 4                              | 171,3                           | C4              | 660           | -             | -             | 420           | -             | -             |
| 16,8 (55p)             | 610            | 2439          | 2439         | 16                           | 4                              | 196,9                           | C5              | 660           | -             | -             | 420           | -             | 270           |
| 18,3 (60p)             | 914            | 3048          | 3048         | 16                           | 4                              | 166,42                          | C5              | 660           | -             | -             | 420           | -             | 270           |
| 19,8 (65p)             | 914            | 3048          | 3048         | 16                           | 4                              | 199,07                          | C6              | 812           | -             | -             | 572           | -             | 422           |
| 21,3 (70p)             | 914            | 3658          | 3658         | 16                           | 4                              | 171,32                          | C7              | 812           | -             | -             | 572           | -             | 422           |
| 22,9 (75p)             | 914            | 3962          | 3962         | 16                           | 4                              | 176,92                          | C8              | 812           | -             | -             | 572           | -             | 422           |
| 24,4 (80p)             | 914            | 4267          | 4267         | 16                           | 4                              | 181,37                          | C8              | 812           | -             | -             | 572           | -             | 422           |

\* POUR LES TOURS AVEC CLÔTURE D'ACIER, LA DIMENSION MINIMALE DES FONDATIONS DE BÉTON EST DE 2439x2439xÉPAISSEUR REQUIS.

| Revisión | Description                   | Par/By  | Date     |
|----------|-------------------------------|---------|----------|
| 8        | POUR CONSTRUCTION, RÉVISION 1 | P.-C.G. | 04-08-01 |
| 5        | POUR CONSTRUCTION             | P.-C.G. | 04-05-31 |
| 4        | DÉFINITIF                     | P.-C.G. | 03-12-23 |
| 3        | DÉFINITIF                     | P.-C.G. | 03-11-19 |
| 2        | DÉFINITIF - POUR APPROBATION  | P.-C.G. | 03-10-27 |
| 1        | DÉFINITIF - POUR APPROBATION  | P.-C.G. | 03-07-25 |

A: Numéro du détail  
 B: Feuille sur laquelle le détail est référencé  
 C: Feuille sur laquelle le détail est dessiné

Toute modification doit être rapportée à: All modification must be reported to:

GARDE CÔTIÈRE, RÉGION LAURENTIENNE  
 SERVICES TECHNIQUES  
 Systèmes électroniques et informatiques  
 Informations Techniques et Graphiques

Dossier: File:

TOURS D'ACIER À CLAIRE-VOIE  
 HAUTEUR DE 3m (10p) @ 24,4m (80p)

Dessin: Drawing:

FONDATIONS ET ANCRAGES  
 OPTION "3"  
 PLAN DE MONTAGE

Conçu par: Drawn by: P.-C. GAGNON, Ing. 2003/05/30

Dessiné par: Drawn by: ERIC GAGNON, tech. 2003/05/30

Vérifié par: Checked by: P.-C. GAGNON, Ing. 2003/05/30

Approuvé par: Approved by:

No. dossier: File no.: No. feuille: Sheet no.: INDIQUEE

No. dessin: Drawing no.: 08733 19