



National Defence

Défense nationale

National Defence Headquarters  
Ottawa, Ontario  
K1A 0K2

Quartier général de la Défense nationale  
Ottawa (Ontario)  
K1A 0K2

## REQUEST FOR PROPOSAL DEMANDE DE PROPOSITION

### RETURN BIDS TO: RETOURNER LES SOUMISSIONS À :

Bid Receiving – PWGSC / Réception des  
soumissions - TPSGC

[tpsgc.dgareceptiondessoumissions-abbidreceiving.pwgsc@tpsgc-pwgsc.gc.ca](mailto:tpsgc.dgareceptiondessoumissions-abbidreceiving.pwgsc@tpsgc-pwgsc.gc.ca)

Via ePost \ Postel  
Bid Fax : (819) 997-9776

### Proposal To: National Defence Canada

We hereby offer to sell to Her Majesty the Queen in right of Canada, in accordance with the terms and conditions set out herein, referred to herein or attached hereto, the goods and services listed herein and on any attached sheets at the price(s) set out therefore.

### Proposition à : Défense nationale Canada

Nous offrons par la présente de vendre à Sa Majesté la Reine du chef du Canada, aux conditions énoncées ou incluses par référence dans la présente et aux annexes ci-jointes, les biens et services énumérés ici et sur toute feuille ci-annexée, au(x) prix indiqué(s).

<b>Title/Titre</b> GSIN 4820 Non-Powered Valves HFX Class // Vannes non motorisées NIBS 4820 Classe HFX		<b>Solicitation No – N° de l’invitation</b> W8482-241799/A Amendment/Amendement 001 <b>Date of Amendment – Date de l’invitation</b> September/septembre 12, 2023
<b>Date of Solicitation – Date de l’invitation</b> 17/08/2023		
<b>Address Enquiries to – Adresser toutes questions</b> Christopher Cauchi D Mar P 4-3-4-4 christopher.cauchi@forces.gc.ca		
<b>Telephone No. – N° de téléphone</b> N/A	<b>FAX No – N° de fax</b> N/A	
<b>Destination</b> See herein		

### Instructions:

**Municipal taxes are not applicable. Unless otherwise specified herein all prices quoted must include all applicable Canadian customs duties, GST/HST, excise taxes and are to be delivered Delivery Duty Paid including all delivery charges to destination(s) as indicated. The amount of the Goods and Services Tax/Harmonized Sales Tax is to be shown as a separate item.**

**Instructions: Les taxes municipales ne s'appliquent pas. Sauf indication contraire, les prix indiqués doivent comprendre les droits de douane canadiens, la TPS/TVH et la taxe d'accise. Les biens doivent être livrés « rendu droits acquittés », tous frais de livraison compris, à la ou aux destinations indiquées. Le montant de la taxe sur les produits et services/taxe de vente harmonisée doit être indiqué séparément.**

<b>Solicitation Closes –L’invitation prend Fin</b> At – à : 14 :00 EDT/HAE  On - le : September/septembre 29, 2023
---

Delivery required - Livraison exigée	Delivery offered - Livraison proposée
Vendor Name and Address - Raison sociale et adresse du fournisseur	
Name and title of person authorized to sign on behalf of vendor (type or print) - Nom et titre de la personne autorisée à signer au nom du fournisseur (caractère d'imprimerie)	
Name/Nom _____	Title/Titre _____
Signature _____	Date _____

**AMENDMENT 001  
MODIFICATION 001**

Amendment 001 has been raised to answer bidder questions and extend the deadline from September 19, 2023 to September 29, 2023.

La modification 001 a été apportée pour répondre aux questions des soumissionnaires et prolonger la date limite du 19 septembre 2023 au 29 septembre 2023.

**Question/question 001:**

For Line item 20/21, NSN: 4820-21-908-1097, Part Number: W05-0084B-14AA, is this part use for liquid or steam service?

Pour l'article 20/21, NNO : 4820-21-908-1097, numéro de pièce : W05-0084B-14AA, cette pièce est-elle utilisée pour un service liquide ou vapeur ?

**Answer/réponse 001:**

Liquid, JP5 Fuel.

Liquide, carburant JP5.

**Question/question 002:**

For Line item 08/09, NSN 4820-01-163-0817, Part Number IM012-61-37, NCAGE (00198), would you be able to provide me a picture or any related information? For Part Number 700468, NCAGE (07524), which pump model will this part be used on?

Pour l'article 08/09, NNO 4820-01-163-0817, no de pièce IM012-61-37, code EPPO (00198), pourriez-vous me fournir une photo ou toute information connexe ? Pour no de pièce 700468, code EPPO (07524), sur quel modèle de pompe cette pièce sera-t-elle utilisée ?

**Answer/réponse 002:**

Please see the below drawing of the pump which includes the hand crank. The handle originally came from the dover pump (07524) as a whole assembly, but was later offered separate.

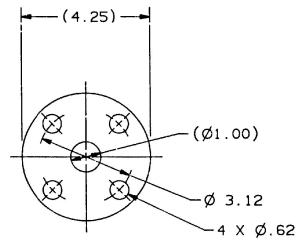
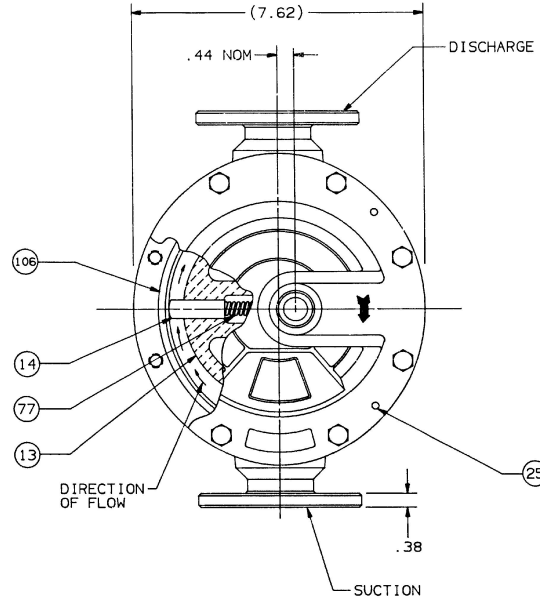
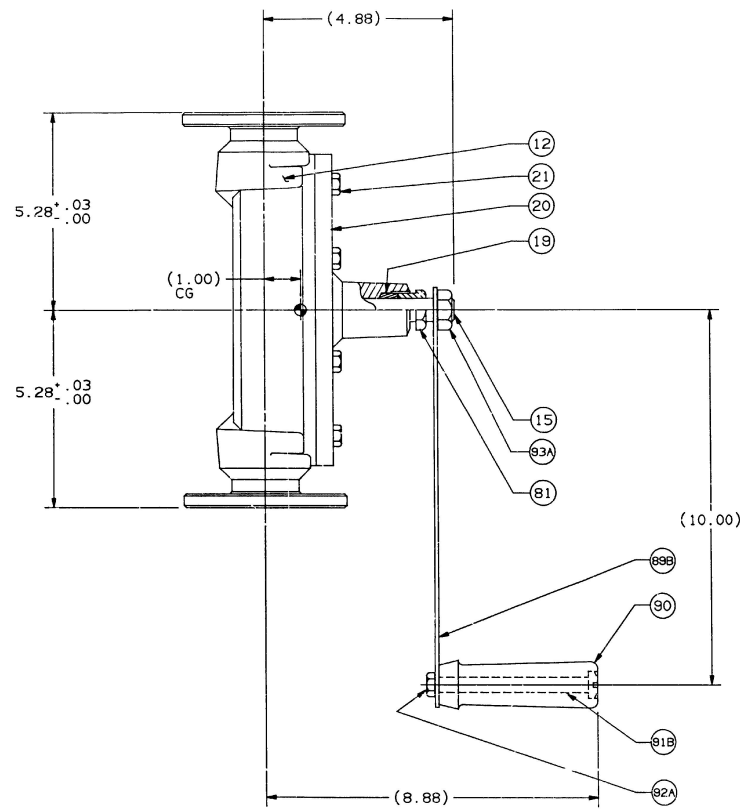
Veillez consulter le dessin ci-dessous de la pompe qui comprend la manivelle. La poignée provenait à l'origine de la pompe Dover (07524) dans son ensemble, mais a ensuite été proposée séparément.

ZONE		LTR		REVISIONS	DATE	APPROVED
		R		REDWN FROM E-3962 REV P DTD		
				7/6/87 FOR ST. JOHN SHIPBUILDING	7/7/87	A G

8 7 6 5 4 3 2 1

D  
C  
B  
A

D  
C  
B  
A



1.00 IN. 150 LB SUCTION & DISCHARGE FLANGE  
DIMENSIONS PER ASA B16.24  
SCALE: 1/2

\* THIS DRAWING AND ALL INFORMATION THEREIN IS THE PROPERTY OF BLACKMER PUMP/A DOVER RESOURCES CO. THE CROWN HAS BEEN GRANTED LIMITED RIGHTS FOR USE OF THIS DRAWING IN ACCORDANCE WITH SECTION 1 OF THE TERMS OF SAINT JOHN SHIPBUILDING CONTRACT 10169 DATED 06 MARCH 1986\*

UNLESS OTHERWISE SPECIFIED DIMENSIONS ARE IN INCHES TOLERANCES		CONTRACT NO. P. O. 10169		DATE		blackmer pump • DOVER RESOURCES COMPANY	
DECIMALS	ANGULAR	DRAWN	SWC	7/3/87	OUTLINE & ARRANGEMENT CERTIFICATION		
2 PLACE DECIMALS ± .02	5' ± .02	CHECK	DMA	7/7/87	NSB 414 NAFC-1		
3 PLACE DECIMALS ± .010	5' ± .010	DESIGN	DRH	7/7/87	HAND PUMP		
ANGLES		DESIGN ACT	DRH	7/7/87	SIZE	FSCM NO	REV
MATERIAL		SEE LIST OF MATL			D 07524	E-3962-30	R
ACT WT	CALC WT	CUSTOMER			SCALE NTS	RELEASE DATE	SHEET 1 OF 2

8 7 6 5 4 3 2 1

REVISIONS				
ZONE	LTR	DESCRIPTION	DATE	APPROVED
	R	REDWN FROM E-3962 REV P DTD		
		7/6/87 FOR ST. JOHN SHIPBUILDING	7/7/87	A G

\*THIS DRAWING AND ALL INFORMATION THEREIN IS THE PROPERTY OF BLACKMER PUMP/A DOVER RESOURCES CO. THE CROWN HAS BEEN GRANTED LIMITED RIGHTS FOR USE OF THIS DRAWING IN ACCORDANCE WITH SECTION 1 OF THE TERMS OF SAINT JOHN SHIPBUILDING CONTRACT 10169 DATED 06 MARCH 1986\*

- NOTES:
1. COMMERCIAL MATERIAL ARE OF GRADE EQUAL TO OR HIGHER THAN THE GOVT SPEC.
  2. CHEMICAL & PHYSICAL TESTS PER MFG PROCEDURE.
  3. DESIGN DISPLACEMENT 14 GPM AT 115 RPM.
  4. APPROX WEIGHT OF PUMP 34 LBS.
  5. CRANK AND ROTOR ROTATION CLOCKWISE.
  6. FOR MATERIALS USED SEE DETAIL DRAWINGS.
  7. NO SUITABLE GOVT SPEC AVAILABLE.
  8. DRAWN IN ACCORDANCE WITH MIL-STD-100 AND DOD-D-1000.

THIS DOCUMENT IS SUBJECT TO SPECIAL EXPORT CONTROLS AND EACH TRANSMITTAL TO FOREIGN NATIONALS MAY BE MADE ONLY WITH PRIOR APPROVAL OF COMMANDER NAVAL SEA SYSTEMS COMMAND.

SHOCKPROOF GRADE A  
EXTENDED BY PETERSON BUILDERS  
LTR N00024-82-C-2121/072  
9565-10483-JAF  
DTD 6 DECEMBER 1985  
UNIT NSB414NAFC-1

TYPE 1 VIBRATION  
EXTENDED BY PETERSON BUILDERS  
LTR N00024-82-C-2121/073  
9565-5004-JAF  
DTD 22 JULY 1986  
UNIT NSB414NAFC-1

QTY REQD	NSCM NO.	PART OR IDENT NO.	SPECIFICATION/MATERIAL	NOMENCLATURE OR DESCRIPTION	WT.	REMARKS	ITEM NO.
1	701947		MIL-P-5315	SEAL RING		NOTE 1	106
1	922967		Q0-B-626/BRASS	JAM NUT .62-18		NOTE 1	93A
1	922950		Q0-S-637/BRASS	JAM NUT .38-16		NOTE 1	92A
1	700894		Q0-B-626/BRASS	GRIP PIN		NOTE 1	91B
1	700119		/WOOD	GRIP		NOTE 7	90
1	700468		Q0-B-626/BRASS	CRANK		NOTE 1	89B
1	140104		Q0-B-626/BRASS	PACKNUT		COMP 22 NOTE 1	81
2	110401		Q0-W-423/STS	SPRING		TYPE 302 NOTE 1	77
3	930057		Q0-S-764/STS-10	GROOVE PIN		NOTE 1	25
8	920152		Q0-B-626/BRASS	HEX HD CAP SCR .31-18 X .75		COMP 22 NOTE 1	21
1	030416		Q0-C-390/BRONZE	HEAD		ALY 937 NOTE 1, 2	20
1	300105		/VARIOUS	PACKING		NOTE 1, 7	19
1	210118		Q0-S-763/SST 18-8	SHAFT ASSY		TYPE 303 NOTE 1, 2	15
3	090405		/CARBON	VANE		NOTE 7	14
1	200422		Q0-C-390/BRONZE	ROTOR		ALY 937 NOTE 1, 2	13
1	020483		Q0-C-390/BRONZE	CYLINDER		ALY 937 NOTE 1, 2	12

LIST OF MATERIAL

GENERAL NOTE

POSITIVE IDENTIFICATION OF PARTS MUST BE MADE BY SERVICE PART NO., NOT ITEM NO.

UNLESS OTHERWISE SPECIFIED DIMENSIONS ARE IN INCHES TOLERANCES		CONTRACT NO P.O. 10169		<b>blackmer pump</b> • DOVER RESOURCES COMPANY	
DECIMALS 3 PLACE DECIMALS 2 PLACE DECIMALS 1 PLACE DECIMALS ANGLES	ANGULAR ± .02 ± .01 5'	DRAWN SWC 7/3/87	DATE 7/3/87	OUTLINE & ARRANGEMENT CERTIFICATION NSB 414 NAFC-1 HAND PUMP	
MATERIAL SEE LIST OF MATL		CHECK DMA 7/7/87	DESIGN DRH 7/7/87	SIZE D 07524	REV R
ACT WT	CALC WT	CUSTOMER		SCALE NTS	RELEASE DATE
				SHEET 2 OF 2	

**Question/question 003:**

Do you have a picture of the nameplate of the valves for the parts on line items 12/13 and 36/37?

Avez-vous une photo de la plaque signalétique des valves des pièces des lignes articles 12/13 et 36/37?

**Answer/réponse 003:**

Unfortunately, we have no pictures to provide.

Malheureusement, nous n'avons pas de photos à fournir.

**All other terms and conditions remain the same.  
Tous les autres termes et conditions restent les mêmes.**