



National Defence
National Defence Headquarters
Ottawa, Ontario
K1A 0K2

Défense nationale
Quartier général de la Défense nationale
Ottawa (Ontario)
K1A 0K2

REQUEST FOR PROPOSAL DEMANDE DE PROPOSITION

RETURN BIDS TO: RETOURNER LES SOUMISSIONS À :

Bid Receiving – PWGSC / Réception des
soumissions - TPSGC

tpsgc.dgareceptiondessoumissions-
abbidreceiving.pwgsc@tpsgc-pwgsc.gc.ca

Via ePost \ Postel
Bid Fax: (819) 997-9776

Proposal To: National Defence Canada

We hereby offer to sell to His Majesty the King in right of Canada, in accordance with the terms and conditions set out herein, referred to herein or attached hereto, the goods and services listed herein and on any attached sheets at the price(s) set out therefore.

Proposition à : Défense nationale Canada

Nous offrons par la présente de vendre à Sa Majesté le Roi du chef du Canada, aux conditions énoncées ou incluses par référence dans la présente et aux annexes ci-jointes, les biens et services énumérés ici et sur toute feuille ci-annexée, au(x) prix indique(s).

Solicitation Closes – L'invitation prend fin

At – à : 14 :00 EDT

On - le : July 18, 2023

Title/Titre Actuator, Pneumatic / Hose, Nonmetallic. Multiple NSNs	Solicitation No – N° de l'invitation W8482-231379/A
Date of Solicitation – Date de l'invitation June 22, 2023	
Address Enquiries to – Adresser toutes questions à Anthony Lemoine-Hoefsmit D Mar P 4-3-3-6 Anthony.Lemoine-Hoefsmit@forces.gc.ca	
Telephone No. – N° de téléphone	FAX No – N° de fax
Destination See herein	

Instructions:

Municipal taxes are not applicable. Unless otherwise specified herein all prices quoted must include all applicable Canadian customs duties, GST/HST, excise taxes and are to be delivered Delivery Duty Paid including all delivery charges to destination(s) as indicated. The amount of the Goods and Services Tax/Harmonized Sales Tax is to be shown as a separate item.

Instructions: Les taxes municipales ne s'appliquent pas. Sauf indication contraire, les prix indiqués doivent comprendre les droits de douane canadiens, la TPS/TVH et la taxe d'accise. Les biens doivent être livrés « rendu droits acquittés », tous frais de livraison compris, à la ou aux destinations indiquées. Le montant de la taxe sur les produits et services/taxe de vente harmonisée doit être indiqué séparément.

Delivery required - Livraison exigée	Delivery offered - Livraison proposée
Vendor Name and Address - Raison sociale et adresse du fournisseur	
Name and title of person authorized to sign on behalf of vendor (type or print) - Nom et titre de la personne autorisée à signer au nom du fournisseur (caractère d'imprimerie)	
Name/Nom _____	Title/Titre _____
Signature _____	Date _____

TABLE OF CONTENTS

PART 1 - GENERAL INFORMATION	4
1.1 SECURITY REQUIREMENTS	4
1.2 REQUIREMENT	4
1.3 DEBRIEFINGS	4
1.4 TRADE AGREEMENTS	4
1.5 CANADA POST CORPORATION'S (CPC) CONNECT SERVICE	4
PART 2 - BIDDER INSTRUCTIONS	4
2.1 STANDARD INSTRUCTIONS, CLAUSES AND CONDITIONS	4
2.2 SUBMISSION OF BIDS	4
2.3 ENQUIRIES - BID SOLICITATION	5
2.4 APPLICABLE LAWS	5
2.5 BID CHALLENGE AND RECOURSE MECHANISMS	5
PART 3 - BID PREPARATION INSTRUCTIONS	5
3.1 BID PREPARATION INSTRUCTIONS	5
PART 4 - EVALUATION PROCEDURES AND BASIS OF SELECTION	7
4.1 EVALUATION PROCEDURES	7
4.2 BASIS OF SELECTION - MULTIPLE ITEMS	9
PART 5 - CERTIFICATIONS AND ADDITIONAL INFORMATION	9
5.1 CERTIFICATIONS REQUIRED WITH THE BID	9
5.2 CERTIFICATIONS PRECEDENT TO CONTRACT AWARD AND ADDITIONAL INFORMATION	9
PART 6 - RESULTING CONTRACT CLAUSES	10
6.1 SECURITY REQUIREMENTS	10
6.2 REQUIREMENT	10
6.3 STANDARD CLAUSES AND CONDITIONS	10
6.4 TERM OF CONTRACT	10
6.5 AUTHORITIES	11
6.6 PAYMENT	12
6.7 INVOICING INSTRUCTIONS	12
6.8 CERTIFICATIONS AND ADDITIONAL INFORMATION	13
6.9 APPLICABLE LAWS	13
6.10 PRIORITY OF DOCUMENTS	13
6.11 DEFENCE CONTRACT	13
6.12 CONDITION OF MATERIAL - CONTRACT	13
6.13 <i>SACC MANUAL</i> CLAUSES	13
6.14 ASBESTOS	14
6.15 SHELF LIFE	14
6.16 PACKAGING	14
6.17 QUALITY ASSURANCE	15
6.18 SHIPPING INSTRUCTIONS (DEPARTMENT OF NATIONAL DEFENCE)	15
6.19 DISPUTE RESOLUTION	18
6.20 EQUIVALENCY OF EQUIPMENT	18
ANNEX "A" - LINE ITEM DETAILS	20
APPENDIX 1 TO ANNEX A - DELIVERY AND INVOICE CODES	24

Solicitation No. - N° de l'invitation
W8482-231379/A
Client Ref. No. - N° de réf. du client

Amd. No. - N° de la modif.
File No. - N° du dossier

Buyer ID - Id de l'acheteur
25M
CCC No./N° CCC - FMS No./N° VME

ANNEX "B" - BASIS OF PAYMENT.....	25
ANNEX "C" - LONG TEXT DESCRIPTION.....	28
ANNEX "D" TO PART 3 OF THE BID SOLICITATION - ELECTRONIC PAYMENT INSTRUMENTS.....	32

PART 1 - GENERAL INFORMATION

1.1 Security Requirements

There is no security requirement applicable to the Contract.

1.2 Requirement

The requirement is detailed in Annex "A", Line Item Details.

1.3 Debriefings

Bidders may request a debriefing on the results of the bid solicitation process. Bidders should make the request to the Contracting Authority within 15 working days from receipt of the results of the bid solicitation process. The debriefing may be in writing, by telephone or in person.

1.4 Trade Agreements

The requirement is subject to the provisions of the following trade agreements: Canadian Free Trade Agreement, Canada-Korea Free Trade Agreement, Canada-Chile Free Trade Agreement, Canada-Colombia Free Trade Agreement, Canada-Honduras Free Trade Agreement, Canada-Panama Free Trade Agreement

1.5 Canada Post Corporation's (CPC) Connect service

This bid solicitation allows bidders to use the CPC Connect service provided by Canada Post Corporation to transmit their bid electronically. Bidders must refer to Part 2 entitled Bidder Instructions, and Part 3 entitled Bid Preparation Instructions, of the bid solicitation, for further information.

PART 2 - BIDDER INSTRUCTIONS

2.1 Standard Instructions, Clauses and Conditions

All instructions, clauses and conditions identified in the bid solicitation by number, date and title are set out in the [Standard Acquisition Clauses and Conditions Manual](https://buyandsell.gc.ca/policy-and-guidelines/standard-acquisition-clauses-and-conditions-manual) (<https://buyandsell.gc.ca/policy-and-guidelines/standard-acquisition-clauses-and-conditions-manual>) issued by Public Works and Government Services Canada.

Bidders who submit a bid agree to be bound by the instructions, clauses and conditions of the bid solicitation and accept the clauses and conditions of the resulting contract.

The [2003](#) (2023-06-08) Standard Instructions - Goods or Services - Competitive Requirements, are incorporated by reference into and form part of the bid solicitation, with the following modification:

- a. Section 02, Procurement Business Number is deleted in its entirety.

2.1.1 SACC Manual Clauses

[B1000T](#) (2014-06-26), Condition of Material – Bid

2.2 Submission of Bids

Bids must be submitted only to Public Works and Government Services Canada (PWGSC) Bid Receiving Unit by the date, time and place indicated in the bid solicitation.

Note: For bidders choosing to submit using Canada Post Corporation's (CPC) Connect service for bids closing at the Bid Receiving Unit in the National Capital Region (NCR) the email address is:

tpsgc.pareceptiondessomissions-apbidreceiving.pwgsc@tpsgc-pwgsc.gc.ca

Note: Bids will not be accepted if emailed directly to this email address. This email address is to be used to open a CPC Connect conversation, as detailed in Standard Instructions [2003](#), or to send bids through a CPC Connect message if the bidder is using its own licensing agreement for CPC Connect service.

2.3 Enquiries - Bid Solicitation

All enquiries must be submitted in writing to the Contracting Authority no later than 7 calendar days before the bid closing date. Enquiries received after that time may not be answered.

Bidders should reference as accurately as possible the numbered item of the bid solicitation to which the enquiry relates. Care should be taken by Bidders to explain each question in sufficient detail in order to enable Canada to provide an accurate answer. Technical enquiries that are of a proprietary nature must be clearly marked "proprietary" at each relevant item. Items identified as "proprietary" will be treated as such except where Canada determines that the enquiry is not of a proprietary nature. Canada may edit the question(s) or may request that the Bidder do so, so that the proprietary nature of the question(s) is eliminated, and the enquiry can be answered to all Bidders. Enquiries not submitted in a form that can be distributed to all Bidders may not be answered by Canada.

2.4 Applicable Laws

Any resulting contract must be interpreted and governed, and the relations between the parties determined, by the laws in force in Ontario.

Bidders may, at their discretion, substitute the applicable laws of a Canadian province or territory of their choice without affecting the validity of their bid, by deleting the name of the Canadian province or territory specified and inserting the name of the Canadian province or territory of their choice. If no change is made, it acknowledges that the applicable laws specified are acceptable to the Bidders.

2.5 Bid Challenge and Recourse Mechanisms

- (a) Several mechanisms are available to potential suppliers to challenge aspects of the procurement process up to and including contract award.
- (b) Canada encourages suppliers to first bring their concerns to the attention of the Contracting Authority. Canada's [Buy and Sell](#) website, under the heading "[Bid Challenge and Recourse Mechanisms](#)" contains information on potential complaint bodies such as:
 - Office of the Procurement Ombudsman (OPO)
 - Canadian International Trade Tribunal (CITT)
- (c) Suppliers should note that there are **strict deadlines** for filing complaints, and the time periods vary depending on the complaint body in question. Suppliers should therefore act quickly when they want to challenge any aspect of the procurement process.

PART 3 - BID PREPARATION INSTRUCTIONS

3.1 Bid Preparation Instructions

If the Bidder chooses to submit its bid electronically, Canada requests that the Bidder submits its bid in accordance with section 08 of the 2003 standard instructions. The CPC Connect system has a limit of 1GB per single message posted and a limit of 20GB per conversation.

The bid must be gathered per section and separated as follows:

- Section I: Technical Bid
- Section II: Financial Bid
- Section III: Certifications
- Section IV: Additional Information

If the Bidder is simultaneously providing copies of its bid using multiple acceptable delivery methods, and if there is a discrepancy between the wording of any of these copies and the electronic copy provided through CPC Connect service, the wording of the electronic copy provided through CPC Connect service will have priority over the wording of the other copies.

Prices must appear in the financial bid only. No prices must be indicated in any other section of the bid.

Section I: Technical Bid

In their technical bid, Bidders should explain and demonstrate how they propose to meet the requirements and how they will carry out the Work.

Section II: Financial Bid

Bidders must submit their financial bid in accordance with the Basis of Payment.

Section III: Certifications

Bidders must submit the certifications and additional information required under Part 5.


3.1.1 Electronic Payment of Invoices – Bid

If you are willing to accept payment of invoices by Electronic Payment Instruments, complete Annex “D” Electronic Payment Instruments, to identify which ones are accepted.


If Annex “D” Electronic Payment Instruments is not completed, it will be considered as if Electronic Payment Instruments are not being accepted for payment of invoices.

Acceptance of Electronic Payment Instruments will not be considered as an evaluation criterion.

3.1.2 Exchange Rate Fluctuation

1. The Bidder may request Canada to assume the risks and benefits of exchange rate fluctuations. If the Bidder claims for an exchange rate adjustment, this request must be clearly indicated in the bid at time of bidding. The Bidder must submit form [PWGSC-TPSGC 450](#) , Claim for Exchange Rate Adjustments with its bid, indicating the Foreign Currency Component (FCC) in Canadian dollars for each line item for which an exchange rate adjustment is required.
2. The FCC is defined as the portion of the price or rate that will be directly affected by exchange rate fluctuations. The FCC should include all related taxes, duties and other costs paid by the Bidder and which are to be included in the adjustment amount.
3. The total price paid by Canada on each invoice will be adjusted at the time of payment, based on the FCC and the exchange rate fluctuation provision in the contract. The exchange rate adjustment will only be applied where the exchange rate fluctuation is greater than 2% (increase

or decrease).

4. At time of bidding, the Bidder must complete columns (1) to (4) on form [PWGSC-TPSGC 450](#) , for each line item where they want to invoke the exchange rate fluctuation provision. Where bids are evaluated in Canadian dollars, the dollar values provided in column (3) should also be in Canadian dollars, so that the adjustment amount is in the same currency as the payment.
5. Alternate rates or calculations proposed by the Bidder will not be accepted for the purposes of this exchange rate fluctuation provision.

PART 4 - EVALUATION PROCEDURES AND BASIS OF SELECTION

4.1 Evaluation Procedures

- (a) Bids will be assessed in accordance with the entire requirement of the bid solicitation including the technical and financial evaluation criteria.
- (b) An evaluation team composed of representatives of Canada will evaluate the bids.

4.1.1 Technical Evaluation

4.1.1.1 Mandatory Technical Criteria

- a) Bidders must indicate the Part Number and the NSCM/NCAGE they are offering.
- b) Bidders proposing an Equivalent or Substitute Product must indicate the brand name and model and/or Part Number and the NSCN/NCAGE they are offering.

4.1.1.2 Equivalent Products - Bid

- a) This bid solicitation includes requirements to propose equipment (each, a Line Item) that has been specified by a part number in order to ensure compatibility, interoperability and interchangeability with existing equipment owned by Canada.
- b) Where equipment has been described in this bid solicitation by part number and more than one part number is listed as associated with a single Line Item, equivalency will be assessed against the first part number, referred to as the Item of Supply. Other part numbers listed under that Line Item will be considered to meet the requirement without requiring an assessment as an equivalent product.
- c) Proposed equipment that is a replacement part number (superseded or obsolete) from the Original Equipment Manufacturer of the Item of Supply listed under a Line Item must be assessed as an equivalent product under this Article, in order to be considered to meet the requirement.
- d) If a bidder intends to propose a part as an equivalent to a required Item of Supply, and it has or is able to obtain complete specifications for the Item of Supply, it must provide to Canada in its bid this Item of Supply specification, along with the specification established for its proposed equivalent. Canada may instruct the bidder to use the provided Item of Supply specification, or another specification provided by Canada, for the purposes of demonstrating equivalency. If the Item of Supply specification is provided by Canada to the bidder, it will be made available to all bidders at the same time. During the evaluation period, the bidder must provide to Canada an analysis within seven business days of the request to do so, showing a comparison of the specification of its proposed equivalent part with the Item of Supply

specification. The analysis must demonstrate that the proposed equivalent part is equivalent in fit, form, function, quality and performance to the required Item of Supply, that it meets any mandatory performance criteria identified in the solicitation, and that the proposed equivalent is fully compatible, interoperable and interchangeable with existing equipment identified in the bid solicitation. If the analysis submitted by the bidder does not demonstrate to the satisfaction of Canada such requirements, the bid will either be declared non-responsive, or will be subject to further evaluation if sampling is requested by Canada.

- e) It is the responsibility of the Bidder to include all information required to evaluate the proposed equivalent product as described above; however, all bidders acknowledge that Canada will have the right, but not the obligation, to request any additional information during the evaluation that it requires to make a determination regarding the product proposed.
- f) The bidder must provide the number of samples of its proposed equivalent part requested by Canada, transportation charges prepaid, and without charge to Canada, within three business days from the date of a request by the Contracting Authority:
 - (a) if no specifications for the Item of Supply acceptable to Canada are available for the assessment above, or
 - (b) if, in addition to the evaluation of the analysis submitted under paragraph 1, Canada wishes to perform testing on the proposed equivalent part to make its determination regarding whether the part is equivalent in form, fit, function, quality and performance. Canada also reserves the right to conduct testing regarding other aspects of equivalency, such as durability and interoperability, as compared to the Item of Supply. All tests will be documented by Canada. A sample submitted by a Bidder will remain the property of Canada and will not be considered as part of the deliverables in any resulting contract. If the testing does not demonstrate equivalency with respect to the aspects tested by Canada, the bid will be declared non-responsive.
- g) If:
 - (a) at least one bid is received proposing an equivalent part,
 - (b) no acceptable specifications of the requested Item of supply are provided by the bidder proposing the equivalent,
 - (c) no acceptable specifications of the requested Item of Supply are available to Canada, and
 - (d) Canada is unable to test a sample for any reason (including that the Item of Supply being procured is new to use, or its interoperable parts are not available for use in testing),then,
 - (i) if there are two (2) or more responsive bids in respect of the Item of Supply (not an equivalent), the evaluation process will be limited to those responsive bids.
 - (ii) if there are fewer than two (2) responsive bids, Canada will cancel the bid solicitation and then determine next steps, including whether specifications can reasonably be developed for the Item of Supply required by Canada.

4.1.2 Financial Evaluation

SACC Manual Clause [A0222T](#) (2014-06-26), Evaluation of Price - Canadian / Foreign Bidders

Bidders must submit prices in Canadian dollars. Bids submitted in foreign currency will be rejected.

4.2 Basis of Selection - Multiple Items

A bid must comply with the requirements of the bid solicitation and meet all mandatory technical evaluation criteria to be declared responsive. The responsive bid with the *lowest evaluated price on an NSN by NSN basis* will be recommended for award of a contract.

4.2.1 More than one Contract may be awarded in response to this solicitation.

PART 5 – CERTIFICATIONS AND ADDITIONAL INFORMATION

Bidders must provide the required certifications and additional information to be awarded a contract.

The certifications provided by Bidders to Canada are subject to verification by Canada at all times. Unless specified otherwise, Canada will declare a bid non-responsive, or will declare a contractor in default if any certification made by the Bidder is found to be untrue whether made knowingly or unknowingly, during the bid evaluation period or during the contract period.

The Contracting Authority will have the right to ask for additional information to verify the Bidder's certifications. Failure to comply and to cooperate with any request or requirement imposed by the Contracting Authority will render the bid non-responsive or constitute a default under the Contract.

5.1 Certifications Required with the Bid

Bidders must submit the following duly completed certifications as part of their bid.

5.1.1 Integrity Provisions - Declaration of Convicted Offences

In accordance with the Integrity Provisions of the Standard Instructions, all bidders must provide with their bid, **if applicable**, the declaration form available on the [Forms for the Integrity Regime](http://www.tpsgc-pwgsc.gc.ca/ci-if/declaration-eng.html) website (<http://www.tpsgc-pwgsc.gc.ca/ci-if/declaration-eng.html>), to be given further consideration in the procurement process.

5.2 Certifications Precedent to Contract Award and Additional Information

The certifications and additional information listed below should be submitted with the bid, but may be submitted afterwards. If any of these required certifications or additional information is not completed and submitted as requested, the Contracting Authority will inform the Bidder of a time frame within which to provide the information. Failure to provide the certifications or the additional information listed below within the time frame provided will render the bid non-responsive.

5.2.1 Integrity Provisions – Required Documentation

In accordance with the section titled Information to be provided when bidding, contracting or entering into a real property agreement of the [Ineligibility and Suspension Policy](http://www.tpsgc-pwgsc.gc.ca/ci-if/politique-policy-eng.html) (<http://www.tpsgc-pwgsc.gc.ca/ci-if/politique-policy-eng.html>), the Bidder must provide the required documentation, as applicable, to be given further consideration in the procurement process.

5.2.2 Federal Contractors Program for Employment Equity - Bid Certification

By submitting a bid, the Bidder certifies that the Bidder, and any of the Bidder's members if the Bidder is a Joint Venture, is not named on the Federal Contractors Program (FCP) for employment equity "FCP Limited Eligibility to Bid" list available at the bottom of the page of the [Employment and Social](#)

[Development Canada \(ESDC\) - Labour's website](https://www.canada.ca/en/employment-social-development/programs/employment-equity/federal-contractor-program.html#) (<https://www.canada.ca/en/employment-social-development/programs/employment-equity/federal-contractor-program.html#>).

Canada will have the right to declare a bid non-responsive if the Bidder, or any member of the Bidder if the Bidder is a Joint Venture, appears on the "FCP Limited Eligibility to Bid" list at the time of contract award.

5.2.3 Canadian Military Technical Data (Shock Test) – Equivalent Products

For Items 001 - 008

Submission of certificate of shock testing and drawings:

Any equivalent product(s) proposed must have successfully met the testing requirements of Specification D-03-003-007/SG-000 Grade 1 Type A, prior to the bid closing. If bidder is offering substitute products that are equivalent in form, fit, function and quality to the Original Equipment Manufacturer (OEM) parts specified herein, the bidder must provide proof by submitting a copy of the successful certificate of shock testing including the serial numbers of the proposed products and an acceptable drawing with certification of the proposed products with their bid by the bid closing date and time. Bids unable to meet this requirement will be given no further consideration.

PART 6 - RESULTING CONTRACT CLAUSES

The following clauses and conditions apply to and form part of any contract resulting from the bid solicitation.

6.1 Security Requirements

6.1.1 There is no security requirement applicable to the Contract.

6.2 Requirement

The Contractor must provide the items detailed under the "Line Item Details" at Annex "A".

6.3 Standard Clauses and Conditions

All clauses and conditions identified in the Contract by number, date and title are set out in the [Standard Acquisition Clauses and Conditions Manual](https://buyandsell.gc.ca/policy-and-guidelines/standard-acquisition-clauses-and-conditions-manual) (<https://buyandsell.gc.ca/policy-and-guidelines/standard-acquisition-clauses-and-conditions-manual>) issued by Public Works and Government Services Canada.

6.3.1 General Conditions

2010A (2022-12-01), General Conditions - Goods (Medium Complexity), apply to and form part of the Contract, with the following modifications:

"Canada", "Crown", "His Majesty" or "the Government" means His Majesty the King in right of Canada as represented by the Minister of Public Works and Government Services and any other person duly authorized to act on behalf of that minister or, if applicable, an appropriate minister to whom the Minister of Public Works and Government Services has delegated his or her powers, duties or functions and any other person duly authorized to act on behalf of that minister.

6.4 Term of Contract

6.4.1 Period of the Contract

The period of the Contract is from date of Contract award to the end of the warranty period as described in Section 09 of [2010A](#) (2022-12-01) General Conditions - Goods (Medium Complexity).

6.4.2 Delivery Date

All the deliverables must be received on or before _____.

DND reserves the right to negotiate delivery date changes to before or after March 31, 2024.

6.4.3 Delivery Points

Delivery of the requirement will be made to delivery point(s) specified at Annex "A" of the Contract.

6.5 Authorities

6.5.1 Contracting Authority

The Contracting Authority for the Contract is:

Name: Anthony Lemoine-Hoefsmit
Title: Materiel Acquisition and Support Officer
Directorate: D MAR P 4-3-3-6
Address: 101 Colonel By Drive
Ottawa, Ontario, K1A 0K2
E-mail address: Anthony.Lemoine-Hoefsmit@forces.gc.ca

The Contracting Authority is responsible for the management of the Contract and any changes to the Contract must be authorized in writing by the Contracting Authority. The Contractor must not perform work in excess of or outside the scope of the Contract based on verbal or written requests or instructions from anybody other than the Contracting Authority.

6.5.2 Technical Authority

The Technical Authority for the Contract is:

Name: _____
Title: _____
Organization: _____
Address: _____
Telephone: ____ - ____ - ____
E-mail: _____.

The Technical Authority named above is the representative of the department or agency for whom the Work is being carried out under the Contract and is responsible for all matters concerning the technical content of the Work under the Contract. Technical matters may be discussed with the Technical Authority, however the Technical Authority has no authority to authorize changes to the scope of the Work. Changes to the scope of the Work can only be made through a contract amendment issued by the Contracting Authority.

6.5.3 Contractor's Representative

Name: _____
Title: _____

Address: _____
Telephone: ____ - ____ - ____
E-mail: _____

6.6 Payment

6.6.1 Basis of Payment

In consideration of the Contractor satisfactorily completing all of its obligations under the Contract, the Contractor will be paid a firm price as specified in Annex "B", Basis of Payment. Customs duties are excluded and Applicable Taxes are extra.

Canada will not pay the Contractor for any design changes, modifications or interpretations of the Work, unless they have been approved, in writing, by the Contracting Authority before their incorporation into the Work.

6.6.2 Terms of Payment

SACC Manual clause [H1001C](#) (2008-05-12), Multiple Payments
SACC Manual clause [C3015C](#) (2017-08-17), Exchange rate fluctuation adjustment
SACC Manual clause [C2000C](#) (2007-11-30), Taxes - Foreign-based Contractor
SACC Manual clause [C2608C](#) (2020-07-01), Canadian Customs Documentation
SACC Manual clause [C2605C](#) (2008-05-12), Canadian Customs Duties and Sales Tax - Foreign-based Contractor
SACC Manual clause [C2610C](#) (2007-11-30), Customs Duties – Department of National Defence – Importer

6.6.3 Electronic Payment of Invoices – Contract

The Contractor accepts to be paid using any of the following Electronic Payment Instrument(s):

- a) Direct Deposit (Domestic and International);
- b) Electronic Data Interchange (EDI);
- c) Wire Transfer (International Only).

6.7 Invoicing Instructions

1. The Contractor must submit invoices in accordance with the section entitled "Invoice Submission" of the general conditions. Invoices cannot be submitted until all work identified in the invoice is completed.
2. Invoices must be distributed as follows:
 - a. The original and one copy must be forwarded to the consignee for certification and payment.

Department of National Defence
Maritime Forces Atlantic
Accts Payable Bldg. S-90, Room 334
2686 Sextant Lane, Stadacona
PO Box 99000 Stn Forces
Halifax, NS B3K 5X5
Canada
hfxaccountspayable@forces.gc.ca

and

Department of National Defence
Base Logistics Officer
CFB Esquimalt
STN Forces, P.O. Box 17000
Victoria, BC V9A 7N2
Canada
ESQBLOGAcctsPayable@forces.gc.ca

b. One copy must be forwarded to:

Email: Anthony.Lemoine-Hoefsmit@forces.gc.ca

6.8 Certifications and Additional Information

6.8.1 Compliance

Unless specified otherwise, the continuous compliance with the certifications provided by the Contractor in its bid or precedent to contract award, and the ongoing cooperation in providing additional information are conditions of the Contract and failure to comply will constitute the Contractor in default. Certifications are subject to verification by Canada during the entire period of the Contract.

6.9 Applicable Laws

The Contract must be interpreted and governed, and the relations between the parties determined, by the laws in force in Ontario.

6.10 Priority of Documents

If there is a discrepancy between the wording of any documents that appear on the list, the wording of the document that first appears on the list has priority over the wording of any document that subsequently appears on the list.

- a) The Articles of Agreement;
- b) The general conditions [2010A](#) (2022-12-01), General Conditions - Goods (Medium Complexity);
- c) Annex A, Line Item Details;
- d) Annex B, Basis of Payment;
- e) Annex C, Long Text Description
- f) The Contractor's bid dated _____.

6.11 Defence Contract

SACC Manual clause [A9006C](#) (2012-07-16), Defence Contract

6.12 Condition of Material - Contract

The Contractor must provide material that is new production of current manufacture supplied by the principal manufacturer or its accredited agent. The material must conform to the latest issue of the applicable drawing, specification and part number, as applicable, that was in effect on the bid closing date.

6.13 SACC Manual Clauses

B7500C (2006-06-16), Excess Goods

D2001C (2007-11-30), Labelling

D2000C (2007-11-30), Marking

D2025C (2017-08-17), Wood Packaging Materials

D6010C (2007-11-30), Palletization

D9002C (2007-11-30), Incomplete Assemblies

G1005C (2016-01-28), Insurance - No Specific Requirement

C2800C (2013-01-28), Priority Rating

OR

C2801C (2022-03-29), Priority Rating: Canadian-based contractors

6.14 Asbestos

The contractor must not use asbestos in the equipment unless no feasible alternative is available, in which case rationale must be provided. Any parts containing asbestos must be properly labelled, and the part number and location be explicitly identified in technical documentations.

6.15 Shelf Life

The Contractor must ensure that items 001 to 008 will contain 75 percent of the authorized shelf life as listed in CFTO D-05-001-001/SF-000 at date of delivery to the Department of National Defence.

Maximum shelf life for items 001 to 006 is 60 months.

Maximum shelf life for items 007 to 008 is 84 months.

6.16 Packaging

6.16.1 Packaging Requirement using Specification D-LM-008-036/SF-000

For items 001 – 004 only

The Contractor must prepare item numbers 001 to 004 for delivery in accordance with the latest issue of the Canadian Forces Packaging Specification **D-LM-008-036/SF-000**, DND Minimum Requirements for Manufacturer's Standard Pack.

The Contractor must package item numbers 001 to 004 in quantities of 1 (EA) by package.

6.16.2 Packaging Requirement using Specification D-LM-008-030/SF-001

For items 005 – 008 only

The Contractor must prepare item numbers 005 to 008 for delivery in accordance with the latest issue of the Canadian Forces Packaging Specification **D-LM-008-030/SF-001, Hose, Rubber, Plastic, Fabric or Metal (including tubing) and Fittings, Nozzles and Strainers**. Items 005-008 shall be delivered and packaged in reels.

6.16.3 Additional Package Markings – Identical

For items 001 - 008

1. The Contractor must ensure that in addition to the required interior and exterior package markings, the following information is provided:
 - a. specification number;
 - b. manufacturer's name;
 - c. cure date of rubber components; and
 - d. date of manufacture;
 - e. expiration date of shelf life.
2. These markings must be applied and positioned in accordance with Canadian Forces Packaging Specification D-LM-008-002/SF-001.

6.17 Quality Assurance

D5545C (2019-05-30) ISO 9001:2015 - Quality Management Systems - Requirements (Quality Assurance Code C)

6.18 Shipping Instructions (Department of National Defence)

6.18.1 Shipping Instructions (Department of National Defence) - Canadian-based Contractor

1. Delivery will be FCA Free Carrier at _____ Incoterms 2000. The Contractor must load the goods onto the carrier designated by the Department of National Defence (DND). Onward shipment from the delivery point to the consignee will be Canada's responsibility.
2. Before shipping the goods, the Contractor must contact the following DND Inbound Logistics Coordination Center by facsimile or e-mail, to arrange for shipment, and provide the information detailed at paragraph 3.
 - a. Inbound Logistics Co-ordination Center (ILCC)
Telephone: 1-877-877-7423 (toll free)
Facsimile: 1-877-877-7409 (toll free)
E-mail: ILHQOttawa@forces.gc.ca
3. The Contractor must provide the following information to the DND Inbound Logistics Coordination Center when arranging for shipment:
 - a. the Contract number;
 - b. consignee address (for multiple addresses, items must be packaged and labelled separately with each consignee address);
 - c. description of each item;
 - d. the number of pieces and type of packaging (i.e., carton, crate, drum, skid);
 - e. actual weight and dimensions of each piece type, including gross weight;
 - f. full details of dangerous goods/hazardous products, as required for the applicable mode of transportation, signed certificates for dangerous goods/hazardous products as required for shipment by the International Maritime Dangerous Goods Code, the International Air Transport Association regulations or the applicable Canadian [Transportation of Dangerous Goods Regulations](#), and a copy of the safety data sheet in English and

French.

4. Following receipt of this information by Canada, Canada will provide the appropriate shipping instructions, which may include the requirement for specific consignee address labelling, and the marking of each piece with a Transportation Control Number.
5. The Contractor must not ship the goods before receiving shipping instructions from the DND Inbound Logistics contact.
6. If the Contractor delivers the goods at a place and time which are not in accordance with the given delivery instructions or fail to fulfill reasonable delivery instructions given by Canada, the Contractor must reimburse Canada any additional expenses and costs incurred.
7. If Canada is responsible for delays in delivering the goods, ownership and risk will be transferred to Canada upon expiry of either 30 days following the date on which a duly completed shipping application is received by Canada or by its appointed forwarding agent, or 30 days following the delivery date specified in the Contract, whichever is later.

6.18.1 Shipping Instructions (Department of National Defence) - Foreign-based Contractors

1. Delivery will be FCA Free Carrier at _____ Incoterms 2000. The Contractor must load the goods onto the carrier designated by the Department of National Defence (DND). Onward shipment from the delivery point to the consignee will be Canada's responsibility
2. Before shipping the goods, the Contractor must contact the following DND Inbound Logistics Coordination Center by facsimile or e-mail, to arrange for shipment, and provide the information detailed at paragraph 3.
 - a. Insert the following when the Contractor is located in the United States (U.S.):
Inbound Logistics Coordination Center (ILCC):
Telephone: 1-877-447-7701 (toll free)
Facsimile: 1-877-877-7409 (toll free)
E-mail: ILHQOttawa@forces.gc.ca
OR
 - b. Insert the following when the Contractor is located in United Kingdom (UK) and Ireland:
Inbound Logistics United Kingdom (ILUK):
Telephone: 011-44-1895-613023, or 011-44-1895-613024, or
Facsimile: 011-44-1895-613046
E-mail: CFSUEDetUKMovements@forces.gc.ca
In addition, the Contractor must send to ILUK the completed form "Shipping Advice and Export Certificate" by e-mail to: CFSUEDetUKMovements@forces.gc.ca.
The shipment of any items above the value of 600 GBP (pound sterling) being exported from the United Kingdom and Ireland will be cleared by DND using Her Majesty's Customs & Excise (HMCE) New Export Systems (NES). The Contractor must comply with HMCE requirements by registering with HMCE or by having a freight forwarder complete the entry. A printed copy of the NES entry Export Declaration clearly displaying the Declaration Unique Consignment Reference Number must be provided by the Contractor and attached to the consignment. The Contractor must ensure that this procedure is carried out for all stores whether they be initial purchase or repair and overhaul export items. HMCE will authorize Canadian Forces Support Unit (Europe) to ship the goods only if the procedure has been adhered to completely and properly by the Contractor. **Note:** To ensure you receive a reply on any contracting information such as

Incoterms etc, always include the e-mail address: ILHQcontract-ILHQcontrat@forces.gc.ca in carbon copy (cc).
OR

- c. Insert the following when the Contractor is located in a country other than Canada, the U.S., the UK and Ireland:
Inbound Logistics Europe Area (ILEA):
Telephone: +49-(0)-2203-908-1807 or 2748 or 5304
Facsimile: +49-(0)-2203-908-2746
Email: ILEA@forces.gc.ca
Note: To ensure you receive a reply on any contracting information such as Incoterms etc, always include the e-mail address: ILHQcontract-ILHQcontrat@forces.gc.ca in carbon copy (cc).
3. The Contractor must provide the following information to the DND Inbound Logistics contact when arranging for shipment:
 - a. the Contract number;
 - b. consignee address (if multiple addresses, items must be packaged and labeled separately with each consignee address);
 - c. description of each item;
 - d. the number of pieces and type of packaging (e.g. carton, crate, drum, skid);
 - e. actual weight and dimensions of each piece type, including gross weight;
 - f. copy of the commercial invoice (in accordance with clause [C2608C](#), section 4, of the [Standard Acquisition Clauses and Conditions Manual](#)) or a copy of the Canada Border Services Agency form CI1 [Canada Customs Invoice](#) (PDF 429KB) - ([Help on File Formats](#));
 - g. [Schedule B](#) codes (for exports) and the Harmonized Tariff Schedule codes (for imports);
 - h. Canada-United States-Mexico Agreement Certification of Origin (in accordance with clause [C2608C](#), section 2) for the U.S. and Mexico only;
 - i. full details of dangerous material, as required for the applicable mode of transportation, signed certificates for dangerous material as required for shipment by the International Maritime Dangerous Goods Code, or International Air Transport Association regulations or the applicable Canadian [Dangerous Goods Shipping Regulations](#) and a copy of the safety data sheet.
4. Following receipt of this information by Canada, Canada will provide the appropriate shipping instructions, which may include the requirement for specific consignee address labelling, the marking of each piece with a Transportation Control Number and customs documentation.
5. The Contractor must not ship goods before receiving shipping instructions from the DND Inbound Logistics contact.

-
6. If the Contractor delivers the goods at a place and time that are not in accordance with the given delivery instructions or fail to fulfill reasonable delivery instructions given by Canada, the Contractor must reimburse Canada any additional expenses and costs incurred.
 7. If Canada is responsible for delays in delivering the goods, ownership and risk will be transferred to Canada upon expiry of either 30 days following the date on which a duly completed shipping application is received by Canada or by its appointed forwarding agent, or 30 days following the delivery date specified in the Contract, whichever is later.

6.19 Dispute Resolution

- (a) The parties agree to maintain open and honest communication about the Work throughout and after the performance of the contract.
- (b) The parties agree to consult and co-operate with each other in the furtherance of the contract and promptly notify the other party or parties and attempt to resolve problems or differences that may arise.
- (c) If the parties cannot resolve a dispute through consultation and cooperation, the parties agree to consult a neutral third party offering alternative dispute resolution services to attempt to address the dispute.
- (d) Options of alternative dispute resolution services can be found on Canada's Buy and Sell website under the heading "[Dispute Resolution](#)".

6.20 Equivalency of Equipment

6.20.1 Equivalent Products – Contract

- a) The Contractor guarantees that the equipment to be delivered under the Contract is:
 - i. equivalent in form, fit, function, quality and performance to the equipment requested by Canada that was described in the bid solicitation that resulted in the Contract;
 - ii. fully compatible, interchangeable and interoperable with the existing equipment owned by Canada identified in the bid solicitation that resulted in this Contract.
- b) The Contractor also guarantees that any warranties with third parties concerning the existing equipment owned by Canada identified in the bid solicitation will not be adversely affected by Canada's use of the equipment delivered under the Contract (for example, by interconnecting the equipment) or by any other services provided by the Contractor under the Contract. If Canada determines in its sole discretion that any such warranty has been adversely affected, at Canada's sole option, the Contractor must:
 - i. pay to Canada the amount that Canada must pay to the original supplier (or an authorized reseller of that supplier) to re-certify Canada's existing equipment for warranty purposes and any other amounts paid by Canada to a third party in order to restore the equipment to full warranty status;
 - ii. perform all warranty work on Canada's existing equipment in place of the original supplier; or

-
- iii. pay to Canada the amount that Canada must pay to the original supplier (or an authorized reseller of that supplier) to perform maintenance work on the equipment that otherwise would have been covered by the warranty.
- c) The Contractor agrees that, during the Contract Period, if Canada determines that any of the equipment is not equivalent in form, fit, function, quality and performance to the existing equipment owned by Canada that was identified in the bid solicitation, or is not fully compatible, interchangeable and interoperable with the existing equipment owned by Canada that was identified in the bid solicitation, the Contractor must immediately and entirely at its own expense take all steps necessary to ensure that the equipment satisfies these requirements (for example, by implementing any additional software or firmware), failing which Canada will have the immediate right to terminate the Contract for default. The Contractor agrees that, if Canada terminates the Contract for this reason, the Contractor must pay to Canada the costs of reprocurring the equipment from a third party and the difference, if any, in price paid by Canada to the third party. The Contractor acknowledges that its failure to deliver equivalent equipment that satisfies the above requirements may result in the Contractor (as well as its affiliates and any other entities with whom the Contractor or its principals do not deal at arm's length) being unable to propose equivalent substitutes in response to future DND bid solicitations, on the basis that Canada has satisfactory evidence that based on this past behaviour, such entity is unsuitable and its equivalent bid should be rejected pursuant to Canada's standard instructions for competitive requirements.

Note to Bidders: This article will only be included in a resulting contract if equivalent products have been proposed.

ANNEX A - LINE ITEM DETAILS

Item	Description <i>Further detail provided at Annex C - Long Text Description</i>	Unit of Issue	Quantity	Delivery and Invoice Codes <i>Definition can be found at Appendix 1 to Annex A</i>	Security Requirement	Quality Assurance Code (QAC)	Controlled Goods (CTAT or ITAR)	Trade Agreement
001	NSN: 4210-22-2562143 Name: ACTUATOR, PNEUMATIC PN Requested: 03-4161-0000 NCAGE: K1539 Manufacturer: BRITISH ROTOTHERM CO LTD OR PN Requested : 03-4161-0000 NCAGE : R1539 Manufacturer : SEMCO MARITIME A/S OR EQUIVALENT Equivalent offers must comply with RFP Equivalent Products clauses and specify: PN offered: _____ NCAGE: _____ Manufacturer: _____	EA	72	CFB Halifax Delivery Code 007X Invoice Code W010B	No	C	No	Yes
002	NSN: 4210-22-2562143 Name: ACTUATOR, PNEUMATIC PN Requested: 03-4161-0000 NCAGE: K1539 Manufacturer: BRITISH ROTOTHERM CO LTD OR PN Requested : 03-4161-0000 NCAGE : R1539 Manufacturer : SEMCO MARITIME A/S OR EQUIVALENT Equivalent offers must comply with RFP Equivalent Products clauses and specify: PN offered: _____ NCAGE: _____ Manufacturer: _____	EA	72	CFB Esquimalt Delivery Code 002E Invoice Code W0103	No	C	No	Yes

ANNEX A - LINE ITEM DETAILS

Item	Description <i>Further detail provided at Annex C - Long Text Description</i>	Unit of Issue	Quantity	Delivery and Invoice Codes <i>Definition can be found at Appendix 1 to Annex A</i>	Security Requirement	Quality Assurance Code (QAC)	Controlled Goods (CTAT or ITAR)	Trade Agreement
003	NSN: 4210-22-2562146 Name: ACTUATOR, PNEUMATIC PN Requested: 03-4162-0000 NCAGE: K1539 Manufacturer: BRITISH ROTOTHERM CO LTD OR PN Requested : 03-4162-0000 NCAGE : R1539 Manufacturer : SEMCO MARITIME A/S OR EQUIVALENT Equivalent offers must comply with RFP Equivalent Products clauses and specify: PN offered: _____ NCAGE: _____ Manufacturer: _____	EA	60	CFB Halifax Delivery Code 007X Invoice Code W010B	No	C	No	Yes
004	NSN: 4210-22-2562146 Name: ACTUATOR, PNEUMATIC PN Requested: 03-4162-0000 NCAGE: K1539 Manufacturer: BRITISH ROTOTHERM CO LTD OR PN Requested : 03-4162-0000 NCAGE : R1539 Manufacturer : SEMCO MARITIME A/S OR EQUIVALENT Equivalent offers must comply with RFP Equivalent Products clauses and specify: PN offered: _____ NCAGE: _____ Manufacturer: _____	EA	60	CFB Esquimalt Delivery Code 002E Invoice Code W0103	No	C	No	Yes

ANNEX A - LINE ITEM DETAILS

Item	Description <i>Further detail provided at Annex C - Long Text Description</i>	Unit of Issue	Quantity	Delivery and Invoice Codes <i>Definition can be found at Appendix 1 to Annex A</i>	Security Requirement	Quality Assurance Code (QAC)	Controlled Goods (CTAT or ITAR)	Trade Agreement
005	NSN: 4210-22-2562149 Name: HOSE, NONMETALLIC PN Requested: 06-3221-0000 NCAGE: R1539 Manufacturer: SEMCO MARITIME A/S OR PN Requested : G0706-3221-00 NCAGE : D1461 Manufacturer : NOSKE-KAESER GMBH OR EQUIVALENT Equivalent offers must comply with RFP Equivalent Products clauses and specify: PN offered: _____ NCAGE: _____ Manufacturer: _____	EA	71	CFB Halifax Delivery Code 007X Invoice Code W010B	No	C	No	Yes
006	NSN: 4210-22-2562149 Name: HOSE, NONMETALLIC PN Requested: 06-3221-0000 NCAGE: R1539 Manufacturer: SEMCO MARITIME A/S OR PN Requested : G0706-3221-00 NCAGE : D1461 Manufacturer : NOSKE-KAESER GMBH OR EQUIVALENT Equivalent offers must comply with RFP Equivalent Products clauses and specify: PN offered: _____ NCAGE: _____ Manufacturer: _____	EA	109	CFB Esquimalt Delivery Code 002E Invoice Code W0103	No	C	No	Yes

ANNEX A - LINE ITEM DETAILS

Item	Description <i>Further detail provided at Annex C - Long Text Description</i>	Unit of Issue	Quantity	Delivery and Invoice Codes <i>Definition can be found at Appendix 1 to Annex A</i>	Security Requirement	Quality Assurance Code (QAC)	Controlled Goods (CTAT or ITAR)	Trade Agreement
007	NSN: 4210-22-2562571 Name: HOSE, NONMETALLIC PN Requested: 06-3231-0000 NCAGE: R1539 Manufacturer: SEMCO MARITIME A/S OR PN Requested : G0706-3231-00 NCAGE : D1461 Manufacturer : NOSKE-KAESER GMBH OR EQUIVALENT Equivalent offers must comply with RFP Equivalent Products clauses and specify: PN offered: _____ NCAGE: _____ Manufacturer: _____	EA	56	CFB Halifax Delivery Code 007X Invoice Code W010B	No	C	No	Yes
008	NSN: 4210-22-2562571 Name: HOSE, NONMETALLIC PN Requested: 06-3231-0000 NCAGE: R1539 Manufacturer: SEMCO MARITIME A/S OR PN Requested : G0706-3231-00 NCAGE : D1461 Manufacturer : NOSKE-KAESER GMBH OR EQUIVALENT Equivalent offers must comply with RFP Equivalent Products clauses and specify: PN offered: _____ NCAGE: _____ Manufacturer: _____	EA	40	CFB Esquimalt Delivery Code 002E Invoice Code W0103	No	C	No	Yes

APPENDIX 1 TO ANNEX A - DELIVERY AND INVOICE CODES

Supply Depot	Delivery Code	Delivery Address	Invoice Code	Invoice Address
CFB HALIFAX	007X	Department of National Defence CFB Halifax Main Warehouse Bldg D206 Door 1 thru 13 HMC Dockyard Halifax, NS B3K 5X5 Canada	W010B	Department of National Defence Maritime Forces Atlantic Accts Payable Bldg. S90, Room 334 2686 Sextant Lane, Stadacona P.O. Box 99000, Stn Forces Halifax NS B3K 5X5 Canada hfxaccountspayable@forces.gc.ca
CFB ESQUIMALT	002E	Department. of National Defence CFB Esquimalt Attn: Receiving Bldg 66 Colwood Victoria, BC V9C 1B0 Canada	W0103	Department. of National Defence Base Logistics Officer CFB Esquimalt Stn Forces P.O. Box 17000 Victoria, BC V9A 7N2 Canada ESQBLOGAcctsPayable@forces.gc.ca

ANNEX B - BASIS OF PAYMENT

Item	Description	Unit of Issue	Quantity	Delivery and Invoice Codes <i>Definition can be found at Appendix 1 to Annex A</i>	FIRM UNIT PRICE: Customs and duties excluded, applicable taxes extra	EXTENDED PRICE: Applicable taxes extra	Applicable taxes (%)
001	NSN: 4210-22-2562143 Name: ACTUATOR, PNEUMATIC	EA	72	CFB Halifax Delivery Code 007X Invoice Code W010B			
002	NSN: 4210-22-2562143 Name: ACTUATOR, PNEUMATIC	EA	72	CFB Esquimalt Delivery Code 002E Invoice Code W0103			
003	NSN: 4210-22-2562146 Name: ACTUATOR, PNEUMATIC	EA	60	CFB Halifax Delivery Code 007X Invoice Code W010B			
004	NSN: 4210-22-2562146 Name: ACTUATOR, PNEUMATIC	EA	60	CFB Esquimalt Delivery Code 002E Invoice Code W0103			
005	NSN: 4210-22-2562149 Name: HOSE, NONMETALLIC	EA	71	CFB Halifax Delivery Code 007X Invoice Code W010B			
006	NSN: 4210-22-2562149 Name: HOSE, NONMETALLIC	EA	109	CFB Esquimalt Delivery Code 002E Invoice Code W0103			

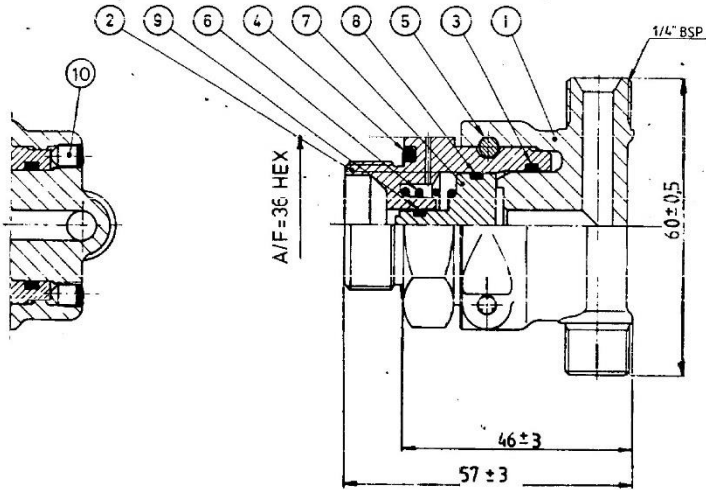
ANNEX B - BASIS OF PAYMENT

Item	Description	Unit of Issue	Quantity	Delivery and Invoice Codes <i>Definition can be found at Appendix 1 to Annex A</i>	FIRM UNIT PRICE: Customs and duties excluded, applicable taxes extra	EXTENDED PRICE: Applicable taxes extra	Applicable taxes (%)
007	NSN: 4210-22-2562571 Name: HOSE, NONMETALLIC	EA	56	CFB Halifax Delivery Code 007X Invoice Code W010B			
008	NSN: 4210-22-2562571 Name: HOSE, NONMETALLIC	EA	40	CFB Esquimalt Delivery Code 002E Invoice Code W0103			

ANNEX B - BASIS OF PAYMENT

	Extended Price	Applicable Taxes (%)	Taxes	Price with Taxes
CFB Halifax				
CFB Esquimalt				
			Subtotal	
			Total Taxes	
			Total (CAD)	

Annex C

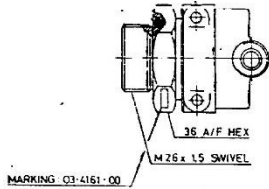


PRESSURE FOR ACTIVATION 10 BAR AT CYLINDER
PRESSURE OFF 100 BAR

MAX. WORKING PRESSURE: 150 BAR

WEIGHT : 0.410 KGS.

- ① HOUSING, BRASS/Cu Zn 39Pb2, DIN 17660 MATR. NO. 2.0380
- ② ADAPTOR, BRASS/Cu Zn 39Pb3
- ③ O-RING GACO P5, NITRIL RUBBER
- ④ O-RING GACO P5, NITRIL RUBBER
- ⑤ SLOTTET PIN #4, DIN1472, st. 6.8
- ⑥ STAINLESS SPRING X12 CrNi 17.7
- ⑦ PISTON, BRASS, Cu Zn 39Pb3
- ⑧ O-RING, GACO P5, NITRIL RUBBER
- ⑨ O-RING, GACO P5, NITRIL RUBBER
- ⑩ POINTED SCREW, SST 45H (14,9)



ITEM	PART NO	QTY.	DESCRIPTION/MATERIAL
1	03-4161-0001	1	SEE BELOW
2	03-4161-0002	1	
3	03-4161-0003	1	
4	03-4161-0004	1	
5	03-4161-0005	2	
6	03-4161-0006	1	
7	03-4161-0007	1	
8	03-4161-0008	1	
9	06-6010-0018	1	
10	03-4161-0010	1	

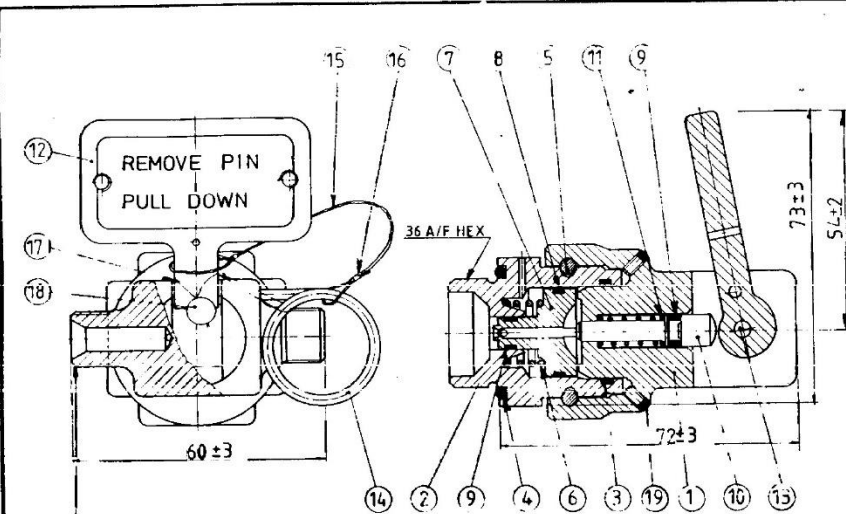
<input checked="" type="checkbox"/>	ACCEPTED
<input checked="" type="checkbox"/>	ACCEPTED AS NOTED
<input type="checkbox"/>	NOT ACCEPTED

Revision	D	Tagging drawing added	891008 RH	DR	DR
	C	REV AS NOTED	890412 TM	DR	DR
	A			DR	DR
	O	Issue		DR	DR
			Description	Checked	Approved

Client: SECURIPLEX SYSTEMS INC.
CANADA.

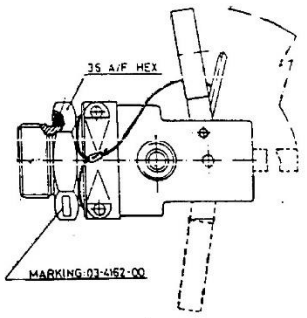
Subject: HALON EQUIPMENT 1 OF 1
PNEUMATIC ACTUATOR.

GINGE BRAND & ELEKTRONIK A/S 25 Tagholmegade DK-2450 Copenhagen SV Phone (45-11) 31 31 31 Telex 15331	TYPE NO. 03-4161-0000	GALICIA-ESTER FIRE EXTINGUISHING SYSTEMS
	NATO STOCK NO. 4210-22-256-2143	
Date 890102	Weight 0.410 KGS	Scale /
Drawn by HER	no. 24-16-467-09-C01	



PRESSURE FOR ACTIVATION 10 BAR AT CYLINDER.
 PRESSURE OF 100 BAR
 WEIGHT : 0.725 KGS.

- ① HOUSING/BRASS/Cu Zn 39Pb2
- ② ADAPTOR/BRASS/Cu Zn 39Pb3
- ③ O-RING GACO P5, NITRIL RUBBER
- ④ O-RING, GACO P5, NITRIL RUBBER
- ⑤ SLOTTET PIN, DIN1472, st 6.8
- ⑥ STAINLESS SPRING X12 CrNi 17.7
- ⑦ PISTON, BRASS/Cu Zn 39Pb3
- ⑧ O-RING, GACO P5, NITRIL RUBBER
- ⑨ O-RING, GACO P5, NITRIL RUBBER
- ⑩ SPINDLE, BRASS/Cu Zn 39Pb3
- ⑪ STAINLESS SPRING X12 CrNi 17.7
- ⑫ LEVER BRASS/Cu Zn 40Pb2
- ⑬ RIVET, BRASS/Cu Zn 39Pb2
- ⑭ SAFETY PIN X12 CrNi 17.7
- ⑮ NYLON WIRE, POLYAMID ø0.9 1=225
- ⑯ PIPE RIVET I.D. 3x0.5x5, BRASS/Cu Zn 39Pb2
- ⑰ SEALING WIRE, COPPER, ø3 LACQUERED
- ⑱ LEAD SEAL, LEAD/Pb
- ⑲ POINTED SCREW, SST 45H (14.9)



ACCEPTED
 ACCEPTED AS NOTED
 NOT ACCEPTED 4Y

ITEM	PART NO	QTY	DESCRIPTION/MATERIAL
1	03-4162-0001	1	SEE BELOW
2	03-4162-0002	1	
3	03-4162-0003	1	
4	03-4162-0004	1	
5	03-4162-0005	2	
6	03-4162-0006	1	
7	03-4162-0007	1	
8	03-4162-0008	1	
9	03-4162-0009	2	
10	03-4162-0010	1	
11	03-4162-0012	1	
12	03-4162-0013	1	
13	03-4162-0014	1	
14	03-4162-0015	1	
15	03-4162-0016	1	
16	03-4162-0017	2	
17	03-4162-0018	1	
18	03-4162-0019	1	
19	03-4162-0011	2	

Revision: F ADDED AS NOTED HF 150290
 E Tagging drawing added
 D REV. AS NOTED
 C Issue

891008 RH
 890412 T

Client: SECURIPLEX SYSTEMS INC. CANADA

HALON EQUIPMENT 1 OF 1
 MANUAL/PNEUMATIC ACTUATOR,

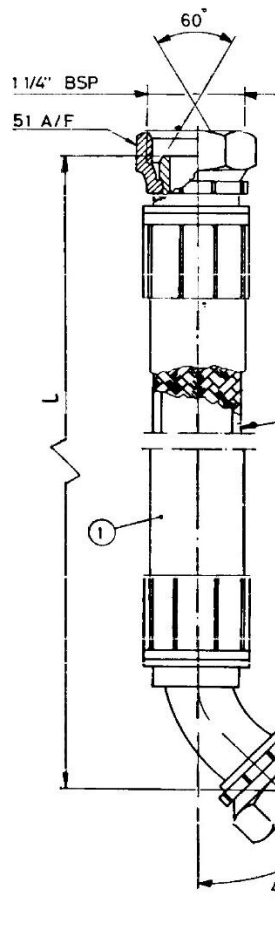
GINSE BRAND & ELECTRONIK A/S
 25 Taghøvmørgate
 DK-2450
 Copenhagen SV
 Phone (45) 33 33 31
 Telex 15331

TYPE NO. 03-4162-0000
 NATO-STOCK NO.
 4210-22-256-2146

Date: 291288
 Drawn by: HFR.

0,725 KGS

24-16-467-08-C01



① HOSE:

SPECIFICATION: SAE 100 R 1 AT
 MATERIAL: 1 1/4" HI-FLEX HI 78 HOSE W
 A SINGLE WIRE BRAID REINFORCEMENT

TUBE: SEAMLESS, OIL RESISTANT
 SYNTHETIC RUBBER.

REINFORCEMENT: ONE BRAIDS OF
 HIGH TENSILE STEEL WIRE.

COVER: OIL AND WEATHER
 RESISTANT, SYNTHETIC RUBBER

MINIMUM BEND RADIUS: 420mm

② COUPLINGS:

MATERIAL: STEEL, ZINCPLATED

WORKING PRESSURE,
 NOMINAL: 42 BAR AT 20°C

BURSTING PRESSURE,
 MIN: 260 BAR

TEST PRESSURE: 150 BAR

NATO STOCK NO:	PART NO.	L = LENGHT	TOLERANCE	WEIGHT	MARKING*
	06-3221-0410	410 mm	±5%	1,490 KGS	06-3221-0410
4210-22-256-2149	06-3221-0000	460 mm	±5%	1,500 KGS	06-3221-0000
	06-3221-0510	510 mm	±5%	1,620 KGS	06-3221-0510
	06-3221-0540	540 mm	±5%	1,660 KGS	06-3221-0540
	06-3221-0555	555 mm	±5%	1,675 KGS	06-3221-0555
	06-3221-0860	860 mm	±5%	2,080 KGS	06-3221-0860
	06-3221-0885	885 mm	±5%	2,100 KGS	06-3221-0885

ACCEPTED,
 ACCEPTED AS NOTED
 NOT ACCEPTED BY

Revision	Description	Checked	Approved
C	SCHEME ADDED		
B	REV AS NOTED		
A			
O	Issue		

Client: SECURIPLEX SYSTEMS INC.
 CANADA

Subject:

HALON EQUIPMENT
 HI-FLEX HOSE 1 1/4"

1 OF 1

GINGE BRAND &
 ELEKTRONIK A/S
 25 Tegholmegade
 DK-2450
 Copenhagen SV
 Phone: 45-11 31 31 31
 Telex: 15331

4210-22-256-2149

Date: 85 09 23
 Drawn by: GV

Weight: /
 Scale: /

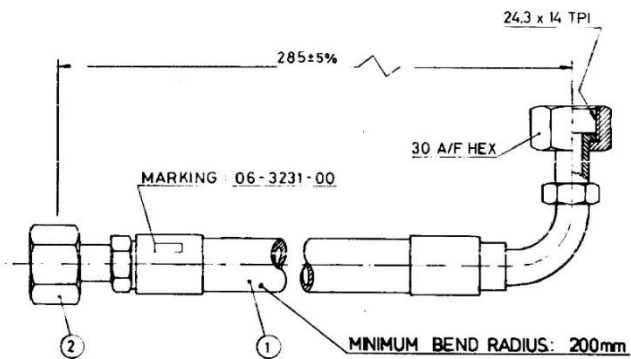
Desig. no.

24-16-467-06-C01

GINGE-KIERR
 FIRE EXTINGUISHING SYSTEMS

Rec.

t.



① HOSE:

SPECIFICATION: SAE 100 R1T
 MATERIAL: 5/8" FLEXIBLE HOSE W.
 SINGLE WIRE BRAID REINFORCEMENT

TUBE: SEAMLESS, OIL RESISTANT
 SYNTHETIC RUBBER.

REINFORCEMENT: ONE BRAID OF
 HIGH TENSILE STEEL WIRE

COVER: OIL AND WEATHER
 RESISTANT, SYNTHETIC RUBBER

② COUPLINGS:

MATERIAL: STEEL, ZINCPLATED

WORKING PRESSURE
 100 BAR

BURSTING PRESSURE
 MIN: 414 BAR

TEST PRESSURE: 150 BAR

WEIGHT: 0.510 KGS.

COPPER GASKET TYPE 06-3115-0001
 TO BE USED AT MOUNTING

<input checked="" type="checkbox"/>	ACCEPTED
<input type="checkbox"/>	ACCEPTED AS NOTED
<input type="checkbox"/>	NOT ACCEPTED

Revision	C			
	B			
	A	REV AS NOTED	000/12 HEP	
	O	Issue		
Description			Check	
Client: SECURIPLEX SYSTEMS INC. CANADA				
Subject:				
HALON EQUIPMENT			1 OF 1	
HI-FLEX HOSE 5/8"				
GINGE BRAND & ELEKTRONIK A/S 25 Teghølmagade DK-3450 Copenhagen SV Phone: (45-1) 31 31 31 Telex: 15331	TYPE NO 06-3231-0000			
	NATO-STOCK NO. 4210-22-256-2571			
Date: 890124	Weight:	Scale:	Dwg. no. 24-16-467-05-C01	
Drawn by: SØSHDV				

ANNEX “D” to PART 3 OF THE BID SOLICITATION - ELECTRONIC PAYMENT INSTRUMENTS

The Bidder accepts any of the following Electronic Payment Instrument(s):

- Direct Deposit (Domestic and International);
- Electronic Data Interchange (EDI);
- Wire Transfer (International Only).