



## REQUEST FOR PROPOSAL DEMANDE DE PROPOSITION

### RETURN BIDS TO: RETOURNER LES SOUMISSIONS À :

Taha Siddiqui  
A/DAP 9-5-3  
Email: [Taha.Siddiqui@forces.gc.ca](mailto:Taha.Siddiqui@forces.gc.ca)

#### Proposal To: Department of National Defence

We hereby offer to sell to His Majesty the King in right of Canada, in accordance with the terms and conditions set out herein, referred to herein or attached hereto, the goods and services listed herein and on any attached sheets at the price(s) set out therefore.

#### Proposition à : Ministère de la Défense nationale

Nous offrons par la présente de vendre à Son Majesté le Roi du chef du Canada, aux conditions énoncées ou incluses par référence dans la présente et aux annexes ci-jointes, les biens et services énumérés ici et sur toute feuille ci-annexée, au(x) prix indique(s).

<b>Title/Titre</b>	<b>Solicitation No – N° de l'invitation</b>
GFE Bag inserts for CH148	W8470-255036/A
<b>Date of Solicitation – Date de l'invitation</b>	
30 May 2024	
<b>Address Enquiries to – Adresser toutes questions à</b>	
Taha Siddiqui A/Directorate of Aerospace Procurement 9-5-3 <a href="mailto:Taha.Siddiqui@forces.gc.ca">Taha.Siddiqui@forces.gc.ca</a>	
<b>Telephone No. – N° de téléphone</b>	<b>FAX No – N° de fax</b>
N/A	
<b>Destination</b>	
SEE HEREIN	

#### Instructions:

**Municipal taxes are not applicable. Unless otherwise specified herein all prices quoted must include all applicable Canadian customs duties, GST/HST, excise taxes and are to be delivered Delivery Duty Paid including all delivery charges to destination(s) as indicated. The amount of the Goods and Services Tax/Harmonized Sales Tax is to be shown as a separate item.**

**Instructions: Les taxes municipales ne s'appliquent pas. Sauf indication contraire, les prix indiqués doivent comprendre les droits de douane canadiens, la TPS/TVH et la taxe d'accise. Les biens doivent être livrés « rendu droits acquittés », tous frais de livraison compris, à la ou aux destinations indiquées. Le montant de la taxe sur les produits et services/taxe de vente harmonisée doit être indiqué séparément.**

<b>Delivery required - Livraison exigée</b>	<b>Delivery offered - Livraison proposée</b>
SEE HEREIN	
<b>Vendor Name and Address - Raison sociale et adresse du fournisseur</b>	
<b>Name and title of person authorized to sign on behalf of vendor (type or print) - Nom et titre de la personne autorisée à signer au nom du fournisseur (caractère d'imprimerie)</b>	
Name/Nom _____ Title/Titre _____	
Signature _____ Date _____	

#### Solicitation Closes – L'invitation prend fin

At – à : 2:00 pm Eastern Daylight Time (EDT)  
14:00 Heure avancée de l'Est (HAE)

On - le : 19 July 2024  
19 Juillet 2024

## TABLE OF CONTENTS

<b>PART 1 - GENERAL INFORMATION</b> .....	<b>3</b>
1.1 SECURITY REQUIREMENTS .....	3
1.2 STATEMENT OF REQUIREMENT (SOR) .....	3
1.3 COMPREHENSIVE LAND CLAIMS AGREEMENT(S) .....	3
1.4 DEBRIEFINGS .....	3
<b>PART 2 - BIDDER INSTRUCTIONS</b> .....	<b>4</b>
2.1 STANDARD INSTRUCTIONS, CLAUSES AND CONDITIONS .....	4
2.2 SUBMISSION OF BIDS .....	4
2.3 ENQUIRIES - BID SOLICITATION .....	4
2.4 APPLICABLE LAWS .....	4
2.5 BID CHALLENGE AND RECOURSE MECHANISMS .....	5
<b>PART 3 - BID PREPARATION INSTRUCTIONS</b> .....	<b>6</b>
3.1 BID PREPARATION INSTRUCTIONS .....	6
<b>PART 4 - EVALUATION PROCEDURES AND BASIS OF SELECTION</b> .....	<b>7</b>
4.1 EVALUATION PROCEDURES .....	7
4.2 BASIS OF SELECTION – MANDATORY TECHNICAL CRITERIA .....	7
<b>PART 5 – CERTIFICATIONS AND ADDITIONAL INFORMATION</b> .....	<b>9</b>
5.1 CERTIFICATIONS REQUIRED WITH THE BID .....	9
5.2 CERTIFICATIONS PRECEDENT TO CONTRACT AWARD AND ADDITIONAL INFORMATION .....	9
<b>PART 6 – RESULTING CONTRACT CLAUSES</b> .....	<b>10</b>
6.1 SECURITY REQUIREMENTS .....	10
6.2 STATEMENT OF REQUIREMENT .....	10
6.3 STANDARD CLAUSES AND CONDITIONS .....	10
6.4 TERM OF CONTRACT .....	10
6.5 AUTHORITIES .....	10
6.6 PAYMENT .....	11
6.7 INVOICING INSTRUCTIONS .....	12
6.8 CERTIFICATIONS AND ADDITIONAL INFORMATION .....	12
6.9 APPLICABLE LAWS .....	12
6.10 PRIORITY OF DOCUMENTS .....	12
6.11 DEFENCE CONTRACT .....	13
6.12 SACC MANUAL CLAUSES .....	13
6.13 DISPUTE RESOLUTION .....	13
<b>ANNEX "A"</b> .....	<b>14</b>
STATEMENT OF REQUIREMENT .....	14
<b>ANNEX "B"</b> .....	<b>29</b>
SECURITY REQUIREMENTS CHECK LIST .....	29
<b>ANNEX "C"</b> .....	<b>33</b>
BASIS OF PAYMENT .....	33

## **PART 1 - GENERAL INFORMATION**

### **1.1 Security Requirements**

There is no security requirement applicable to the Contract.

### **1.2 Statement of Requirement (SOR)**

The Work to be performed is detailed under Article 6.2 of the resulting contract clauses.

### **1.3 Comprehensive Land Claims Agreement(s)**

This procurement is not subject to the Comprehensive Land Claims Agreements.

### **1.4 Debriefings**

Bidders may request a debriefing on the results of the bid solicitation process. Bidders should make the request to the Contracting Authority within 15 working days from receipt of the results of the bid solicitation process. The debriefing may be in writing, by telephone or in person.

## **PART 2 - BIDDER INSTRUCTIONS**

### **2.1 Standard Instructions, Clauses and Conditions**

All instructions, clauses and conditions identified in the bid solicitation by number, date and title are set out in the [Standard Acquisition Clauses and Conditions Manual](https://buyandsell.gc.ca/policy-and-guidelines/standard-acquisition-clauses-and-conditions-manual) (<https://buyandsell.gc.ca/policy-and-guidelines/standard-acquisition-clauses-and-conditions-manual>) issued by Public Works and Government Services Canada.

Bidders who submit a bid agree to be bound by the instructions, clauses and conditions of the bid solicitation and accept the clauses and conditions of the resulting contract.

The [2003](#) (2023-06-08) Standard Instructions - Goods or Services - Competitive Requirements, are incorporated by reference into and form part of the bid solicitation.

### **2.2 Submission of Bids**

- (a) Unless specified otherwise in the RFP or otherwise directed by the Contracting Authority, bids must be submitted to the Department of National Defence organization by electronic mail to [Taha.Siddiqui@forces.gc.ca](mailto:Taha.Siddiqui@forces.gc.ca) by the date and time indicated on page 1 of the solicitation.
- (b) Electronic Submissions: Individual e-mails that may include certain scripts, formats, embedded macros and/or links, or those that exceed five (5) megabytes may be rejected by Canada's e-mail system and/or firewall(s) without notice to the Bidder or Contracting Authority. Larger bids may be submitted through more than one e-mail. Canada will confirm receipt of documents. It is the Bidder's responsibility to ensure that their entire submission has been received. Bidders should not assume that all documents have been received unless Canada confirms receipt of each document. In order to minimize the potential for technical issues, bidders are requested to allow sufficient time before the closing date and time to confirm receipt. Bid documents submitted after the closing time and date will not be accepted.
- (c) Due to the nature of the bid solicitation, bids transmitted by facsimile to DND will not be accepted.

### **2.3 Enquiries - Bid Solicitation**

All enquiries must be submitted in writing to the Contracting Authority no later than (5) calendar days before the bid closing date. Enquiries received after that time may not be answered.

Bidders should reference as accurately as possible the numbered item of the bid solicitation to which the enquiry relates. Care should be taken by Bidders to explain each question in sufficient detail in order to enable Canada to provide an accurate answer. Technical enquiries that are of a proprietary nature must be clearly marked "proprietary" at each relevant item. Items identified as "proprietary" will be treated as such except where Canada determines that the enquiry is not of a proprietary nature. Canada may edit the question(s) or may request that the Bidder do so, so that the proprietary nature of the question(s) is eliminated, and the enquiry can be answered to all Bidders. Enquiries not submitted in a form that can be distributed to all Bidders may not be answered by Canada.

### **2.4 Applicable Laws**

Any resulting contract must be interpreted and governed, and the relations between the parties determined, by the laws in force in Ontario.

Bidders may, at their discretion, substitute the applicable laws of a Canadian province or territory of their choice without affecting the validity of their bid, by deleting the name of the Canadian province or territory specified and inserting the name of the Canadian province or territory of their choice. If no change is made, it acknowledges that the applicable laws specified are acceptable to the Bidders.

## 2.5 Bid Challenge and Recourse Mechanisms

- (a) Several mechanisms are available to potential suppliers to challenge aspects of the procurement process up to and including contract award.
- (b) Canada encourages suppliers to first bring their concerns to the attention of the Contracting Authority. Canada's [Buy and Sell](#) website, under the heading "[Bid Challenge and Recourse Mechanisms](#)" contains information on potential complaint bodies such as:
- Office of the Procurement Ombudsman (OPO)
  - Canadian International Trade Tribunal (CITT)
- (c) Suppliers should note that there are **strict deadlines** for filing complaints, and the time periods vary depending on the complaint body in question. Suppliers should therefore act quickly when they want to challenge any aspect of the procurement process.

## **PART 3 - BID PREPARATION INSTRUCTIONS**

### **3.1 Bid Preparation Instructions**

Canada requests that the Bidder submits its bid in separately bound sections as follows:

Section I: Technical Bid (one (1) soft copy submitted by e-mail)

Section II: Financial Bid (one (1) soft copy submitted by e-mail)

Section III: Certifications (one (1) soft copy submitted by e-mail)

All soft copy documents must be submitted in PDF format, no other format will be accepted.

Canada requests that Bidders use a numbering system that corresponds to that of the bid solicitation.

#### **Section I: Technical Bid**

In their technical bid, Bidders should demonstrate their understanding of the requirements contained in the bid solicitation and explain how they will meet these requirements.

#### **Section II: Financial Bid**

Bidders must submit their financial bid in accordance with the Basis of Payments at Annex C. **Prices must appear in the financial bid only.** No prices must be indicated in any other section of the bid.

##### **3.1.1 Electronic Payment of Invoices – Bid**

If you are willing to accept payment of invoices by Electronic Payment Instruments, complete Section 6.6.5 Electronic Payment of Invoices - Contract, to identify which ones are accepted.

If Section 6.6.5 Electronic Payment of Invoices is not completed, it will be considered as if Electronic Payment Instruments are not being accepted for payment of invoices.

Acceptance of Electronic Payment Instruments will not be considered as an evaluation criterion.

##### **3.1.2 Exchange Rate Fluctuation**

*SACC Manual Clause [C3011T \(2013-11-06\), Exchange Rate Fluctuation](#)*

##### **3.1.3 SACC Manual Clauses**

#### **Section III: Certifications**

Bidders must submit the certifications and additional information required under Part 5.

## **PART 4 - EVALUATION PROCEDURES AND BASIS OF SELECTION**

### **4.1 Evaluation Procedures**

- (a) Bids will be assessed in accordance with the entire requirement of the bid solicitation including technical and financial evaluation criteria.
- (b) An evaluation team composed of representatives of Canada will evaluate the bids.

#### **4.1.1 Technical Evaluation**

##### **4.1.1.1 Mandatory Technical Criteria**

In order to be considered for this solicitation the Bidder must provide objective evidence for each of the mandatory criteria as described in section 1 of Attachment 1 to Part 4. Bids which fail to meet the mandatory technical criteria will be declared non-responsive.

Refer to Attachment 1 to Part 4.

#### **4.1.2 Financial Evaluation**

*SACC Manual Clause [A0222T](#) (2014-06-26) Evaluation of Price-Canadian/Foreign Bidders*

### **4.2 Basis of Selection – Mandatory Technical Criteria**

*SACC Manual clause [A0031T](#) (2010-08-16) Basis of Selection – Mandatory Technical Criteria*

## ATTACHMENT 1 TO PART 4, TECHNICAL EVALUATION

### MANDATORY TECHNICAL CRITERIA

The bid must meet the mandatory technical criteria specified below.

The Bidder must provide the necessary documentation to support compliance with this requirement and address each requirement clearly and in sufficient detail to permit a complete analysis and assessment by the evaluation team. **Failure to provide sufficient detail could result in a proposal being evaluated as technically NON-RESPONSIVE.**

In order to be considered for this solicitation the bidder must provide objective evidence for each of the mandatory criteria as described below. Bids which fail to meet the mandatory technical criteria will be declared non-responsive. Each mandatory technical criterion should be addressed separately.

MANDATORY TECHNICAL CRITERIA		
No.	Mandatory Requirement	Objective Evidence
MT1	Receipt of the signed page 1 of this RFP	
MT2	The supplier must provide materiel in accordance with Section 5.0 Deliverables in Annex A – SOR	
MT3	The supplier must confirm that they are able to carry out all deliverables indicated in Section 5.0 Deliverables in Annex A – SOR	
MT4	The supplier must provide a breakdown of costs for materials and shipping separately within their bid	
MT5	The delivery must be within 5 months of contract award	
MT6	The supplier must provide evidence of prior experience working with thermoplastics	



## **PART 5 – CERTIFICATIONS AND ADDITIONAL INFORMATION**

Bidders must provide the required certifications and additional information to be awarded a contract.

The certifications provided by Bidders to Canada are subject to verification by Canada at all times. Unless specified otherwise, Canada will declare a bid non-responsive, or will declare a contractor in default if any certification made by the Bidder is found to be untrue whether made knowingly or unknowingly, during the bid evaluation period or during the contract period.

The Contracting Authority will have the right to ask for additional information to verify the Bidder's certifications. Failure to comply and to cooperate with any request or requirement imposed by the Contracting Authority will render the bid non-responsive or constitute a default under the Contract.

### **5.1 Certifications Required with the Bid**

Bidders must submit the following duly completed certifications as part of their bid.

#### **5.1.1 Integrity Provisions - Declaration of Convicted Offences**

In accordance with the Integrity Provisions of the Standard Instructions, all bidders must provide with their bid, **if applicable**, the declaration form available on the [Forms for the Integrity Regime](http://www.tpsgc-pwgsc.gc.ca/ci-if/declaration-eng.html) website (<http://www.tpsgc-pwgsc.gc.ca/ci-if/declaration-eng.html>), to be given further consideration in the procurement process.

### **5.2 Certifications Precedent to Contract Award and Additional Information**

The certifications and additional information listed below should be submitted with the bid but may be submitted afterwards. If any of these required certifications or additional information is not completed and submitted as requested, the Contracting Authority will inform the Bidder of a time frame within which to provide the information. Failure to provide the certifications or the additional information listed below within the time frame provided will render the bid non-responsive.

#### **5.2.1 Integrity Provisions – Required Documentation**

In accordance with the section titled Information to be provided when bidding, contracting or entering into a real property agreement of the [Ineligibility and Suspension Policy](http://www.tpsgc-pwgsc.gc.ca/ci-if/politique-policy-eng.html) (<http://www.tpsgc-pwgsc.gc.ca/ci-if/politique-policy-eng.html>), the Bidder must provide the required documentation, as applicable, to be given further consideration in the procurement process.

## **PART 6 – RESULTING CONTRACT CLAUSES**

The following clauses and conditions apply to and form part of any contract resulting from the bid solicitation.

### **6.1 Security Requirements**

**6.1.1** There is no security requirement applicable to the Contract.

### **6.2 Statement of Requirement**

The Contractor must provide quantity 34 Government Furnished Equipment bag inserts for the CH-148 Maritime Cyclone helicopter in accordance with the Requirement at Annex “A”.

### **6.3 Standard Clauses and Conditions**

All clauses and conditions identified in the Contract by number, date and title are set out in the [Standard Acquisition Clauses and Conditions Manual](https://buyandsell.gc.ca/policy-and-guidelines/standard-acquisition-clauses-and-conditions-manual) (https://buyandsell.gc.ca/policy-and-guidelines/standard-acquisition-clauses-and-conditions-manual) issued by Public Works and Government Services Canada.

#### **6.3.1 General Conditions**

[2010A \(2022-12-01\), General Conditions - Goods \(Medium Complexity\)](#), apply to and form part of the [Contract](#).

### **6.4 Term of Contract**

#### **6.4.1 Period of the Contract**

The period of the Contract is from date of Contract Award to the end of the warranty period as described in Section 09 of [2010A](#) (2022-12-01) General Conditions: Goods (Medium Complexity).

#### **6.4.2 Delivery Date**

All the deliverables must be received on or before 5 months after contract award.

#### **6.4.3 Delivery Points**

Delivery of the requirement will be made to delivery point specified at Annex “A” Statement of Requirement.

### **6.5 Authorities**

#### **6.5.1 Contracting Authority**

The Contracting Authority for the Contract is:

Name: Taha Siddiqui  
Title: A/DAP 9-5-3  
Department of National Defence  
Directorate of Aerospace Procurement  
Address: 101 Colonel By Drive  
Ottawa, Ontario, K1A 0K2  
E-mail: Taha.Siddiqui@forces.gc.ca

The Contracting Authority is responsible for the management of the Contract and any changes to the Contract must be authorized in writing by the Contracting Authority. The Contractor must not perform work in excess of or outside the scope of the Contract based on verbal or written requests or instructions from anybody other than the Contracting Authority.

### **6.5.2 Technical Authority** *(to be inserted at contract award)*

The Technical Authority for the Contract is:

Name: \_\_\_\_\_  
Title: \_\_\_\_\_  
Organization: \_\_\_\_\_  
Address: \_\_\_\_\_  
Telephone: \_\_\_\_-\_\_\_\_-\_\_\_\_  
Facsimile: \_\_\_\_-\_\_\_\_-\_\_\_\_  
E-mail: \_\_\_\_\_.

The Technical Authority named above is the representative of the department or agency for whom the Work is being carried out under the Contract and is responsible for all matters concerning the technical content of the Work under the Contract. Technical matters may be discussed with the Technical Authority, however the Technical Authority has no authority to authorize changes to the scope of the Work. Changes to the scope of the Work can only be made through a contract amendment issued by the Contracting Authority.

### **6.5.3 Contractor's Representative** *(to be inserted at contract award)*

Name: \_\_\_\_\_  
Title: \_\_\_\_\_  
Organization: \_\_\_\_\_  
Address: \_\_\_\_\_  
Telephone: \_\_\_\_-\_\_\_\_-\_\_\_\_  
Facsimile: \_\_\_\_-\_\_\_\_-\_\_\_\_  
E-mail: \_\_\_\_\_.

## **6.6 Payment**

### **6.6.1 Basis of Payment – Firm Price**

In consideration of the Contractor satisfactorily completing all of its obligations under the Contract, the Contractor will be paid a firm price, as specified in Annex C – Basis of Payment for a cost of \$ \_\_\_\_\_. *(to be inserted at contract award)*. Customs duties are included and Applicable Taxes are extra.

Canada will not pay the Contractor for any design changes, modifications or interpretations of the Work, unless they have been approved, in writing, by the Contracting Authority before their incorporation into the Work.

### **6.6.2 Limitation of Price**

SACC Manual clause [C6000C](#) (2017-08-17) Limitation of Price

### **6.6.3 Single Payment**

SACC Manual clause [H1000C](#) (2008-05-12), Single Payment

#### **6.6.4 SACC Manual Clauses**

SACC Manual clause [C2000C](#) (2007-11-30), Taxes - Foreign-based Contractor  
SACC Manual clause [C3011T](#) (2013-11-06), Exchange Rate Fluctuation

#### **6.6.5 Electronic Payment of Invoices – Contract**

The Contractor accepts to be paid using any of the following Electronic Payment Instrument(s):

- a. Direct Deposit (Domestic and International);
- b. Electronic Data Interchange (EDI);
- c. Wire Transfer (International Only);

#### **6.7 Invoicing Instructions**

1. The Contractor must submit invoices in accordance with the section entitled "Invoice Submission" of the general conditions. Invoices cannot be submitted until all work identified in the invoice is completed.
2. Invoices must be distributed as follows:
  - a. The original must be sent to the Contracting Authority identified under the section entitled "Authorities" of the Contract.
  - b. one (1) copy must be forwarded to the consignee.

#### **6.8 Certifications and Additional Information**

##### **6.8.1 Compliance**

Unless specified otherwise, the continuous compliance with the certifications provided by the Contractor in its bid or precedent to contract award, and the ongoing cooperation in providing additional information are conditions of the Contract and failure to comply will constitute the Contractor in default. Certifications are subject to verification by Canada during the entire period of the Contract.

##### **6.9 Applicable Laws**

The Contract must be interpreted and governed, and the relations between the parties determined, by the laws in force in Ontario.

##### **6.10 Priority of Documents**

If there is a discrepancy between the wording of any documents that appear on the list, the wording of the document that first appears on the list has priority over the wording of any document that subsequently appears on the list.

- (a) the Articles of Agreement;
- (b) the general conditions 2010A (2022-12-01), General Conditions – Goods (Medium Complexity);
- (c) Annex A, Statement of Requirement;
- (d) Annex B, Security Requirements Check List
- (e) Annex C, Basis of Payment
- (f) the Contractor's bid dated \_\_\_\_\_ (*insert date of bid*)

## 6.11 Defence Contract

SACC Manual clause [A9006C](#) (2012-07-16) Defence Contract

## 6.12 SACC Manual Clauses

SACC Manual clause [B7500C](#) (2006-06-16), Excess Goods

SACC Manual clause [D2000C](#) (2007-11-30), Marking

SACC Manual clause [D2001C](#) (2007-11-30), Labelling

SACC Manual clause [G1005C](#) (2016-01-28), Insurance - No Specific Requirement

## 6.13 Dispute Resolution

- (a) The parties agree to maintain open and honest communication about the Work throughout and after the performance of the contract.
- (b) The parties agree to consult and co-operate with each other in the furtherance of the contract and promptly notify the other party or parties and attempt to resolve problems or differences that may arise.
- (c) If the parties cannot resolve a dispute through consultation and cooperation, the parties agree to consult a neutral third party offering alternative dispute resolution services to attempt to address the dispute.
- (d) Options of alternative dispute resolution services can be found on Canada's Buy and Sell website under the heading "[Dispute Resolution](#)".

## **Annex A - W8470-255036 - STATEMENT OF REQUIREMENT FOR CH-148 GFE Bags**

Dated: May 13, 2024

### **1.0 BACKGROUND**

Maritime Helicopter Project and 12 AMS Shearwater requires the manufacturing of 34 Bag Kits in accordance with attached drawings at Appendix 1 of Annex A by an approved contractor to an Airworthy Standard. Tooling maybe required to be manufactured by contractor to meet required dimensions.

CH-148 Human Factors Engineering Cabin Reach and Accommodation Flight Test Report identified issues usage of GFE Bag.

#### 1.1 Intended Use:

The GFE bag inserts will be used to provide an internal framework or structure to give easy access to store, remove and account for Aircraft ground support items kept within the bag by operators and maintainers.

#### 1.2 Acronyms:

PMO MHP – Project Management Office Maritime Helicopter Project  
CFB – Canadian Forces Base  
GFE – Government Furnished Equipment  
CoC – Certificate of Conformance  
APM – Airworthiness Process Manual  
DND - Department of National Defense

### **2.0 APPLICABLE DOCUMENTS**

All manufacturing must be completed to meet all dimensions within the applicable tolerance on each part drawing to applicable Airworthiness Standards.

Applicable Technical Drawings can be found at Appendix 1 of Annex A.

### **3.0 REQUIREMENTS**

Work must be performed by a qualified company, the contractor must provide signed Certificate of Conformance (CoC's) for all material used and for the final assembly. Contractor must have/implemented quality system and adhere to P series requirements.

Contractor must deliver all goods within 5 months of contract award.

Contractor will inform Department of National (DND) of potential delays in manufacturing process. Email all inquiries to Taha.Siddiqui@forces.gc.ca .

#### **4.0 Delivery Address**

12 AMS Shearwater, Admiral Falls Center, Hangar 343 Magnificent Ave, Dartmouth NS, B0J-3A0.

#### **5.0 DELIVERABLES**

Contractor must perform:

Manufacture:

Qty: 34 Kits as per Drawing **2125225**, made of KYDEX 100 (Sheet, 0.125 THK, Any colour), Universal HD Solid Rivet (CR3213-4-05, CR3213-4-06, and CR3213-4-07), and Washer Flat #6 (NAS1149FN432P)

Contractor must deliver all goods within 5 months of contract award.

Contractor must provide a Certificate of Conformance for all manufactured parts.

Certificates of Conformance must be delivered with all applicable materials.

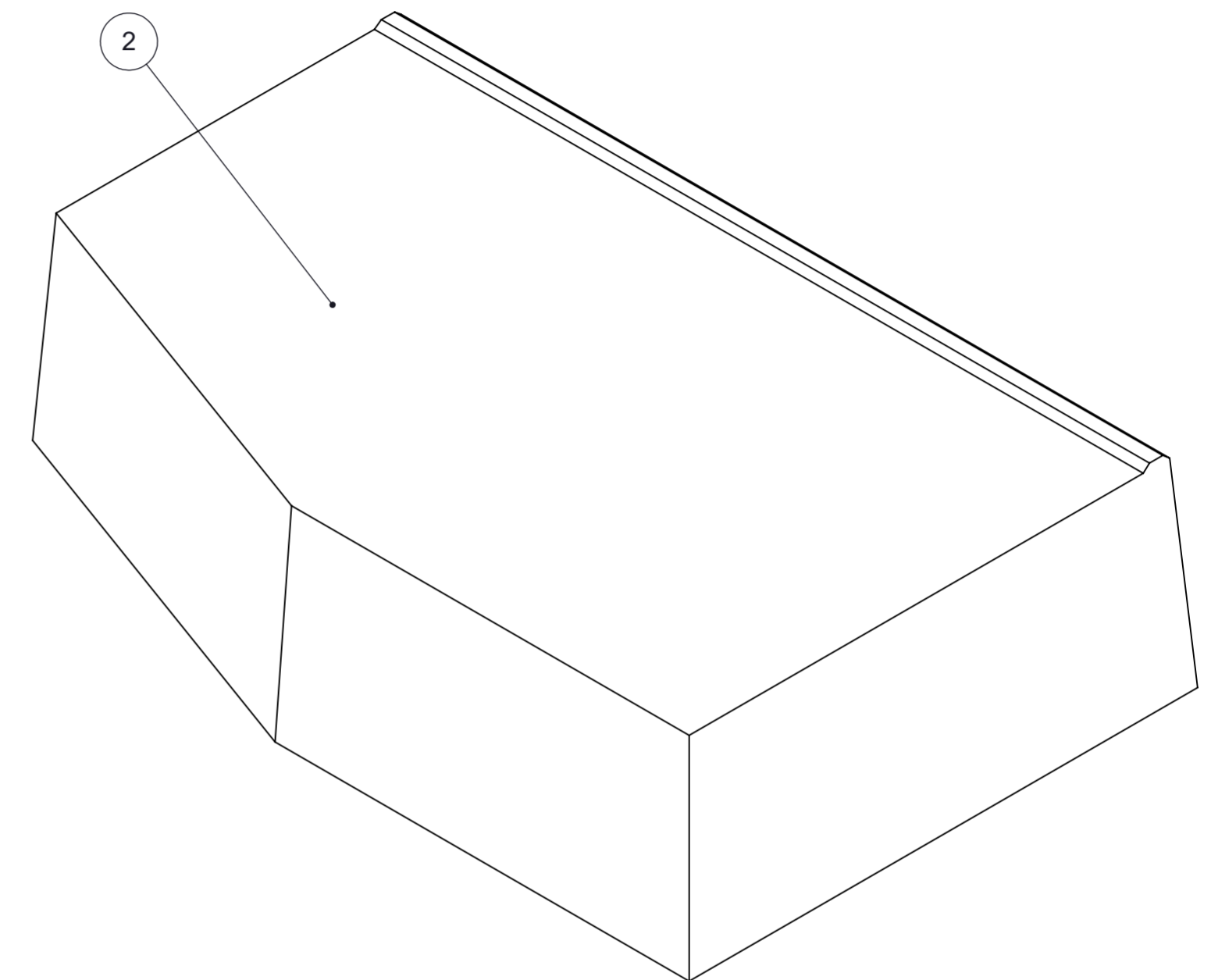
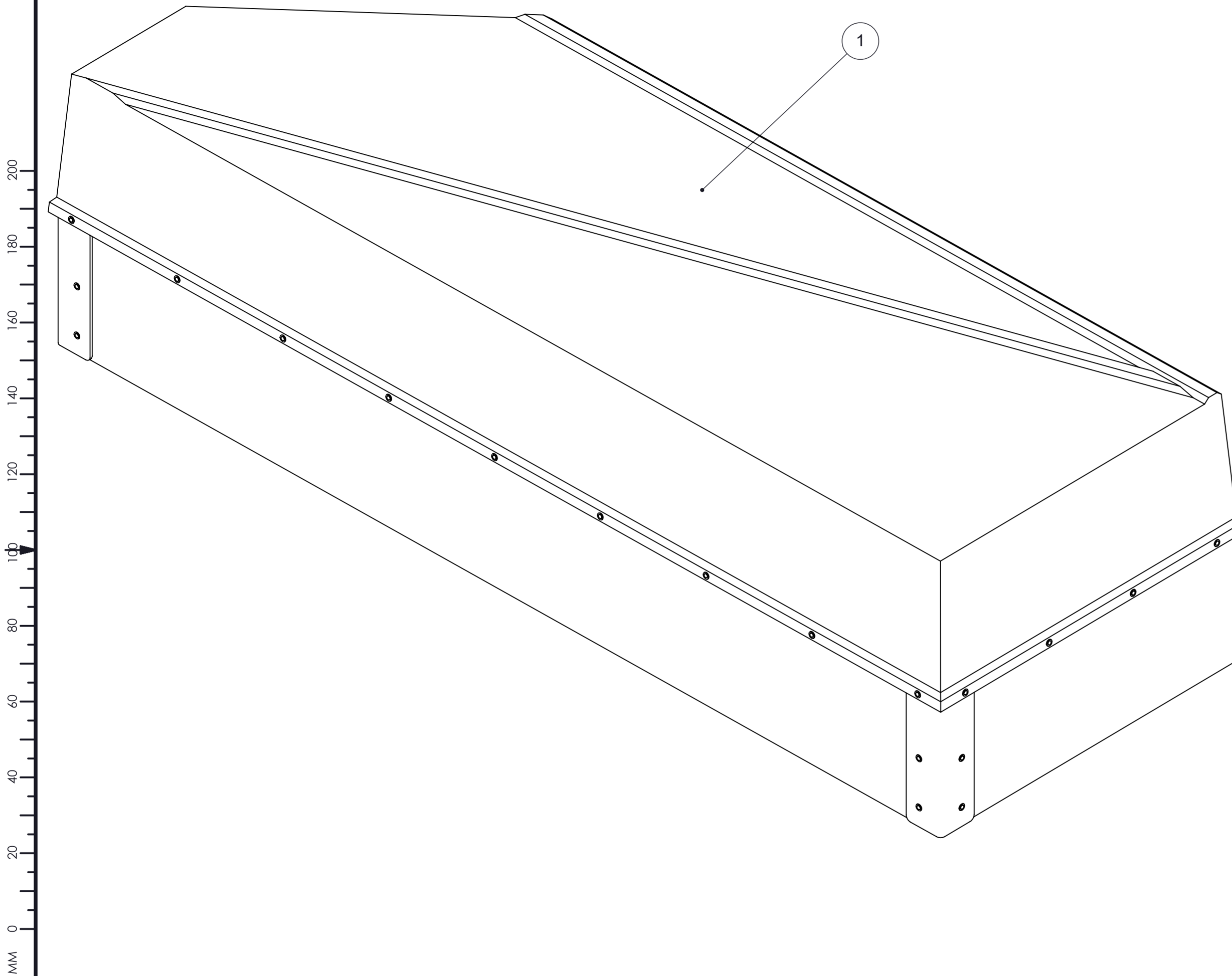
All Manufacturing must be conducted by contractor in their facility to an Airworthy Standard in accordance with the P-Series.

#### Certificate of Conformance (CoC):

The Certificate of Conformance must include.

- The Contractor Identity.
- The Manufacturing Standard.
- The Manufactures part number or international standardized part number.
- The Contractors test methods and analysis results.

-1 /QTY	ITEM NO DE L'ART	IDENTIFYING NO D'IDENTIFICATION	NOMENCLATURE/DESCRIPTION	SPECIFICATION	CODE IDENT CODE D'IDENT
1	1	2125226-1	TOP INSERT ASSY		36376
1	2	2125234-1	BOTTOM, INSERT		36376



200  
180  
160  
140  
120  
100  
80  
60  
40  
20  
0  
MM

SEE DATA LIST NO. DL- 2125225-1

**NOTICE**  
This documentation has been reviewed by the technical authority and does not contain controlled goods. Disclosure notices and handling instructions originally received with the document shall continue to apply.

**AVIS**  
Cette documentation a été révisée par l'autorité technique et ne contient pas de marchandises contrôlées. Les avis de divulgation et les instructions de manutention reçues originalement doivent continuer de s'appliquer.

UNLESS OTHERWISE SPECIFIED:  
SAUF INDICATION CONTRAIRE:

1. DIMENSIONS ARE IN **INCHES**  
DIMENSIONS SONT EN

2. TOLERANCES  
FRACTIONS : ± -  
DECIMALS XXX: ± -  
DECIMALES XX: ± -  
X: ± -  
ANGLES : ± -

3. SURFACE FINISH  
FINIS DE SURFACES

4. SCALE **1:4**  
ECHELLE

DRAWING INTERPRETATION  
INTERPRETER LE DESSIN PAR

CF D-01-400-001/SG-000  
LEVEL / NIVEAU - **2**

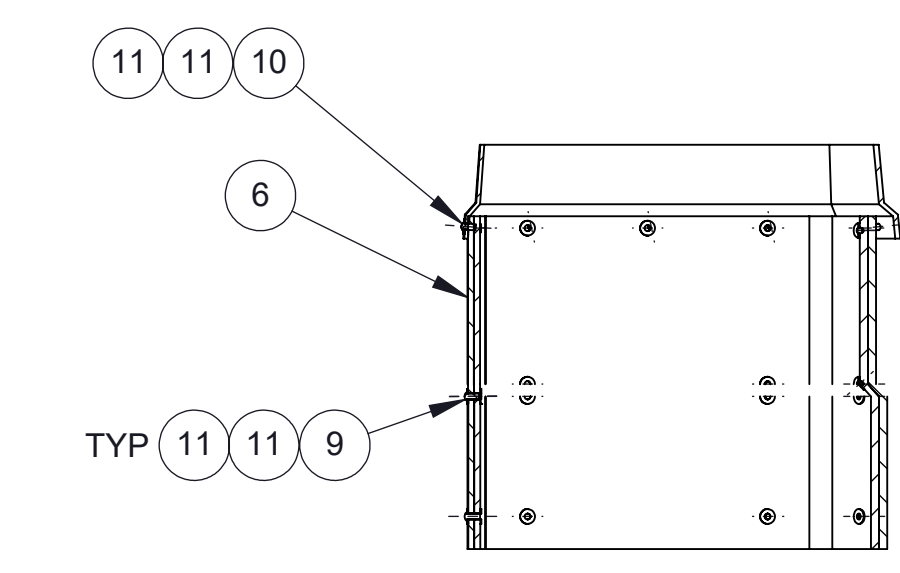
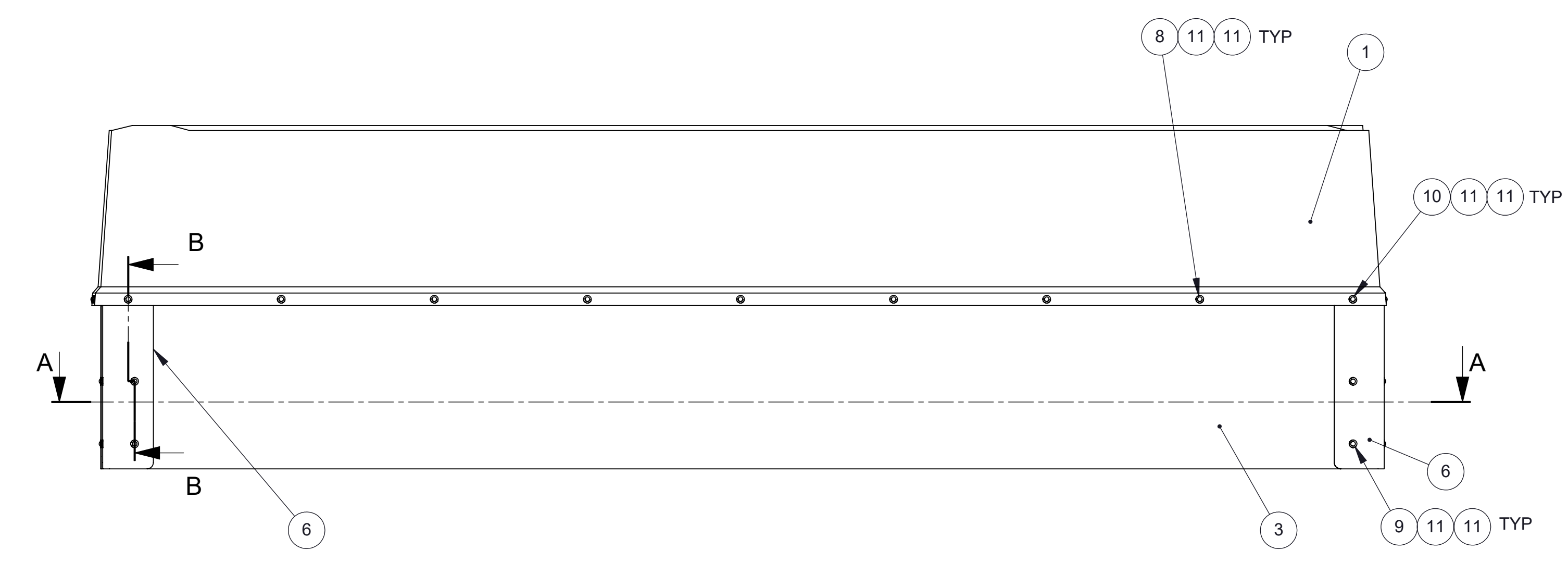
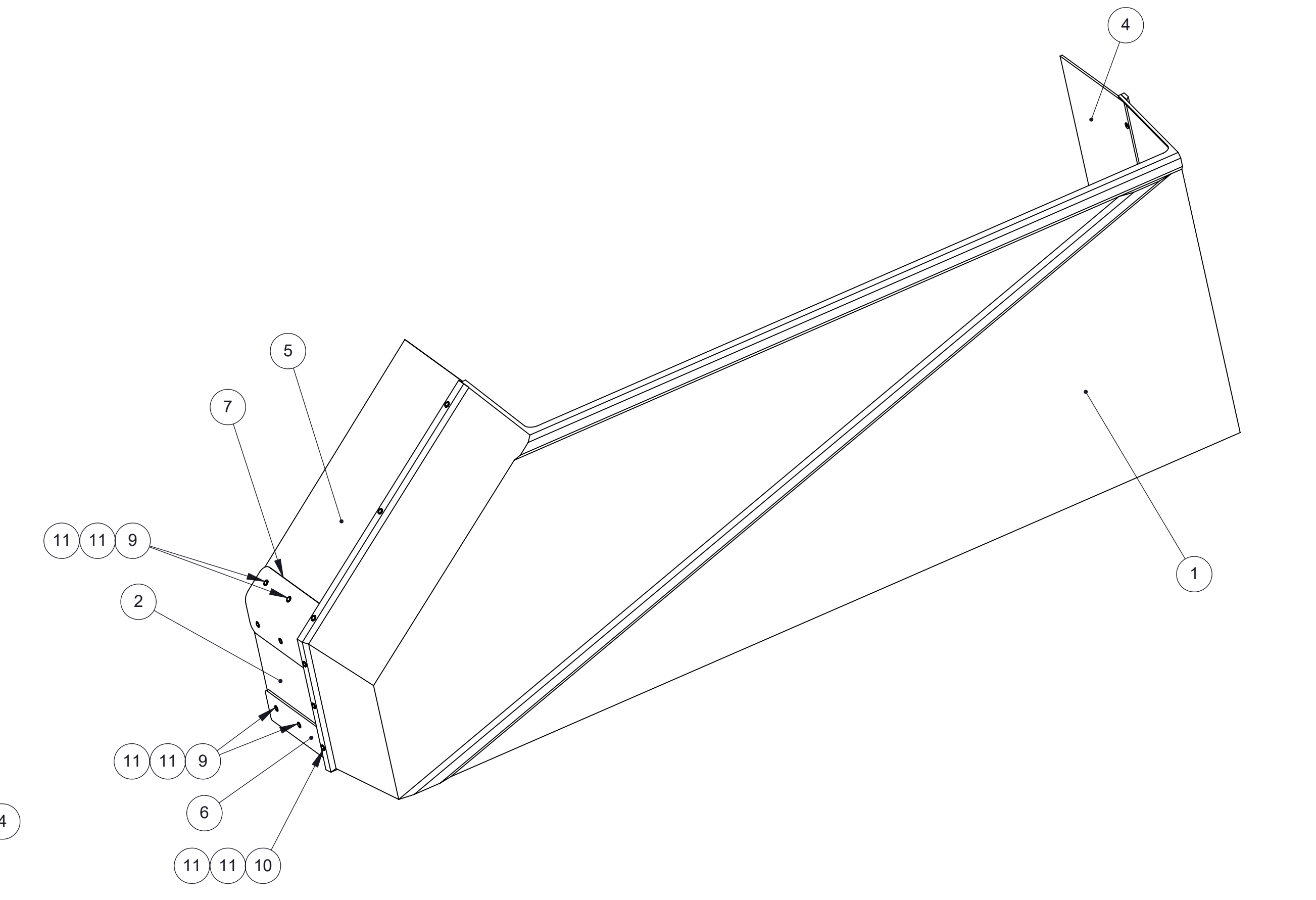
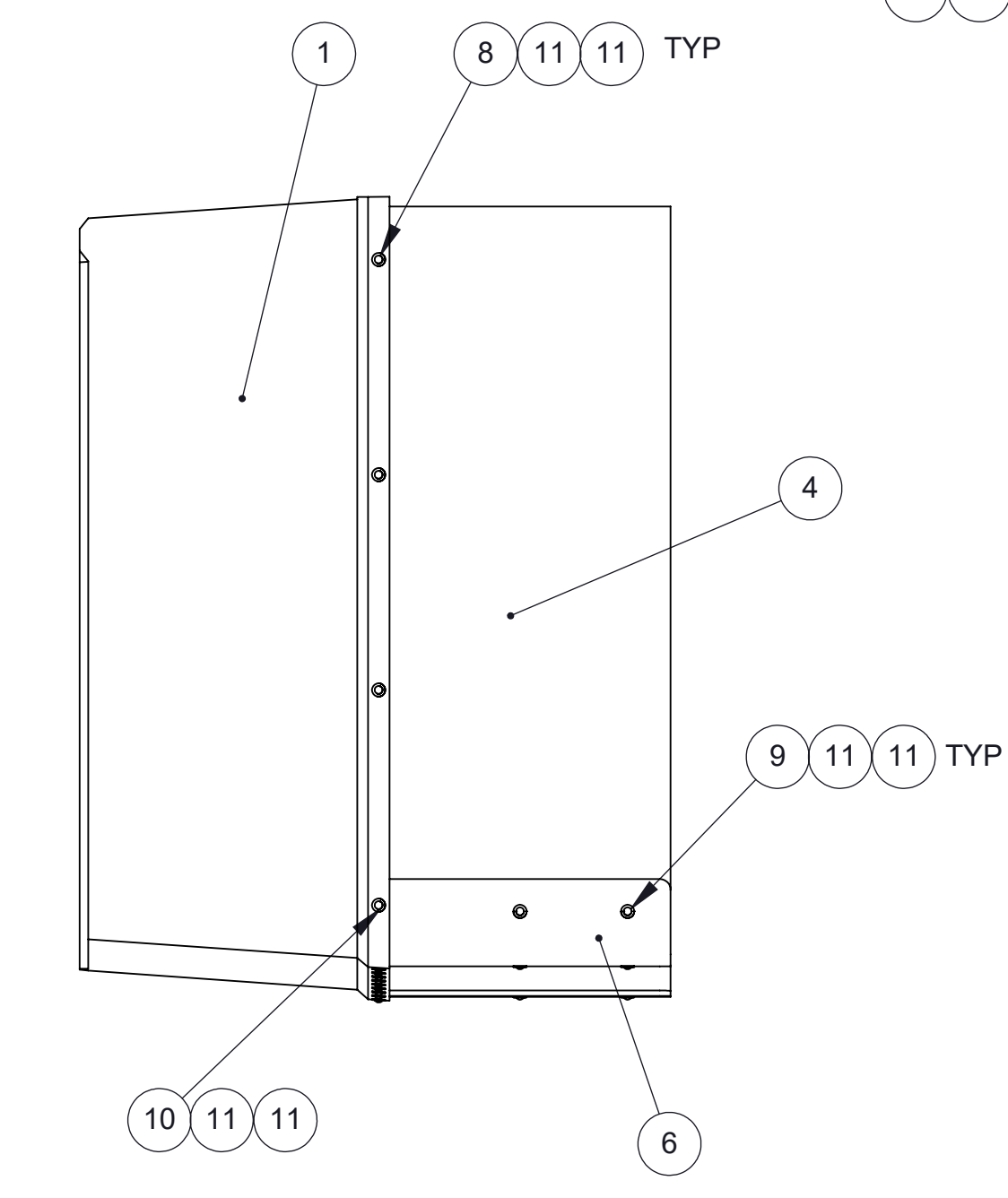
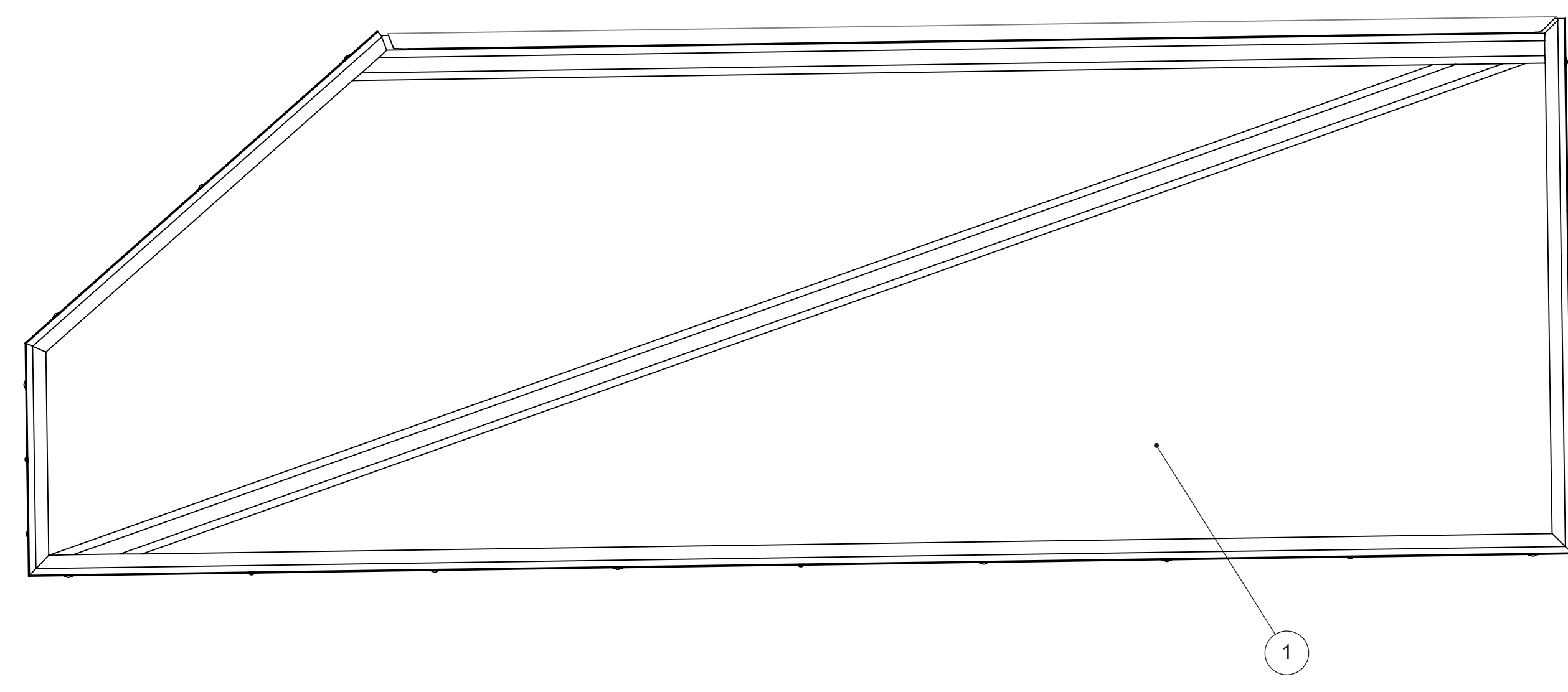
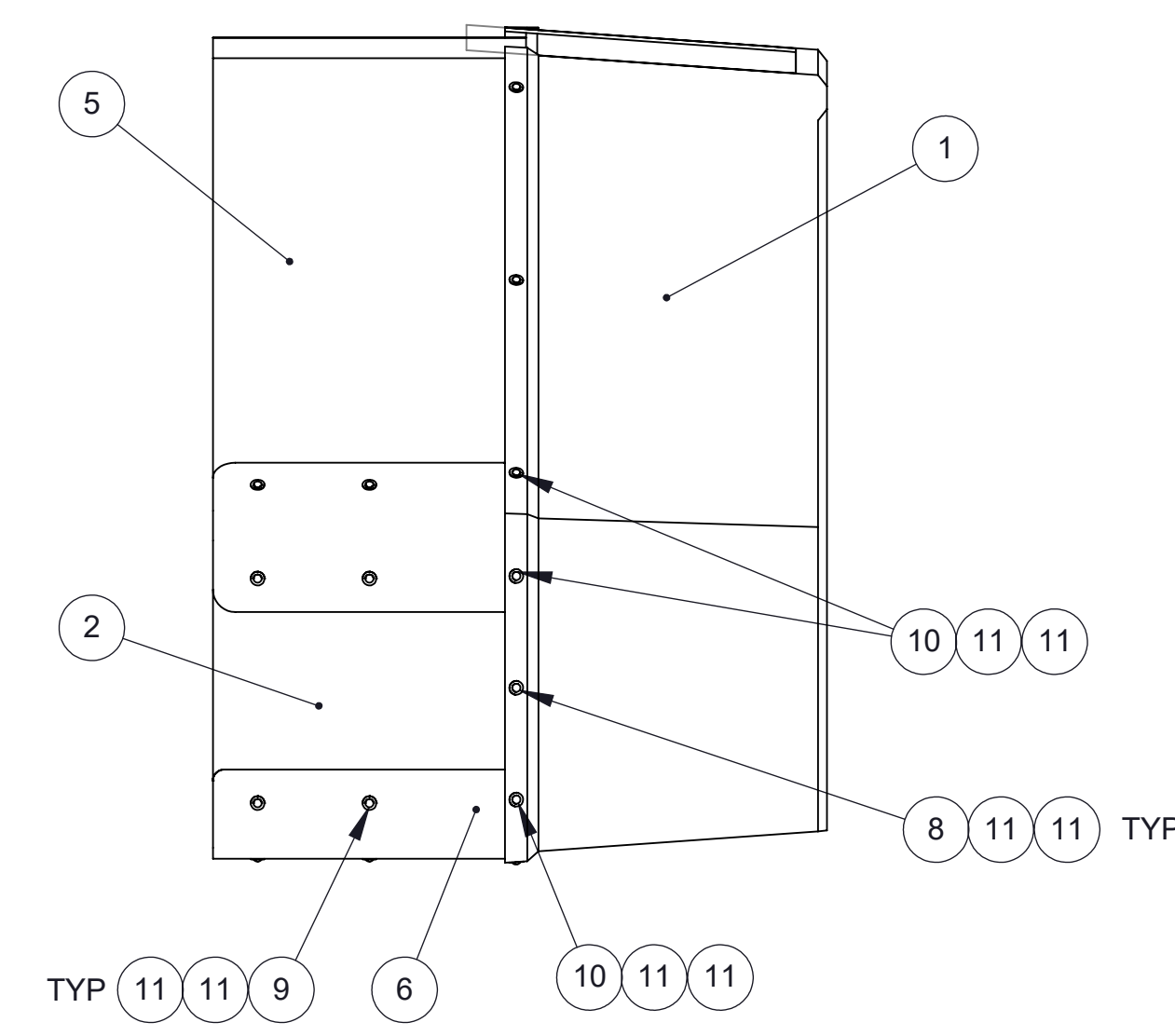
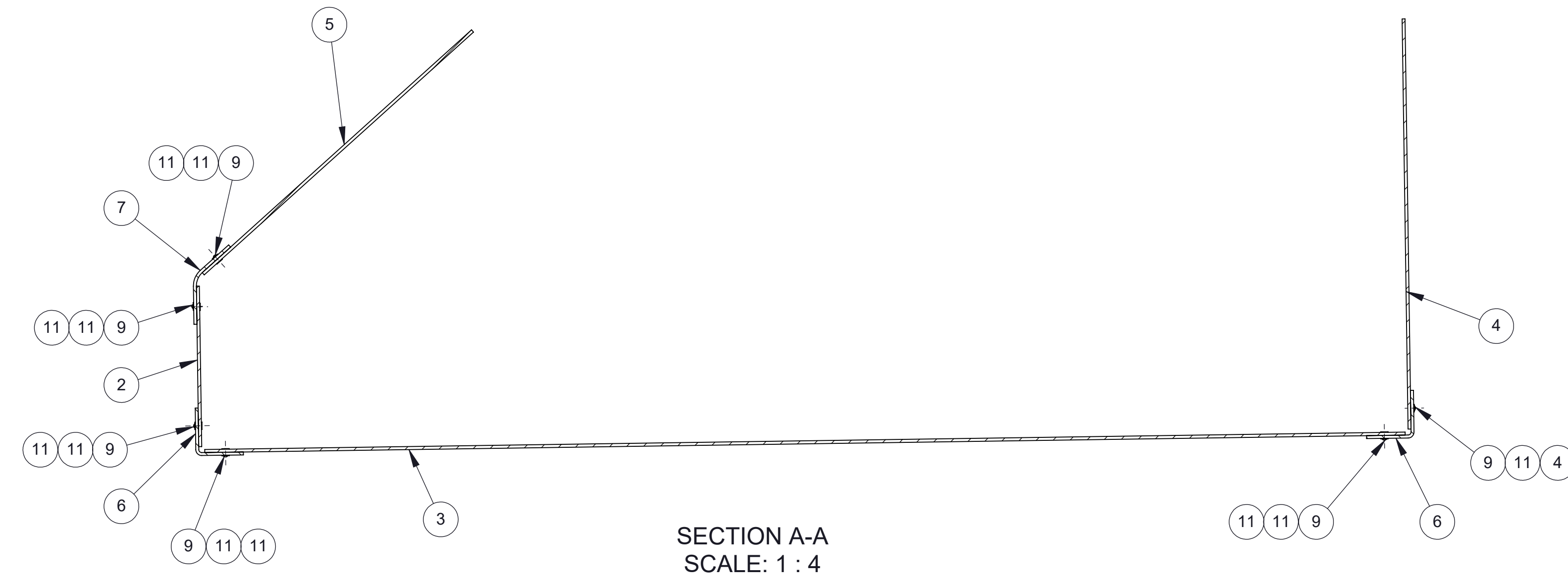
APPLICATION / USAGE  
-

	-	TDAN 214271008	-	-	-	-
ZONE	LTR LET	REVISION	DATE	DWN DES	CKD VER	APPVL APP
DND-CANADIAN ARMED FORCES ARMÉES CANADIENNES-MDN						
DESIGN AGENT / CONCEPTION <b>37473 / AOSF</b>		NSCM / CAOF <b>36376</b>	DRAWING DATE DU DESSIN <b>2021-11-15</b>		A2	
TITLE / TITRE <b>KIT, BAG, GOVERNMENT FURNISHED EQUIPMENT, CH148AC</b>			DRAWING NO. DU DESSIN <b>2125225</b>			
SHEET FEUILLE		<b>1</b>	OF DE	<b>1</b>		

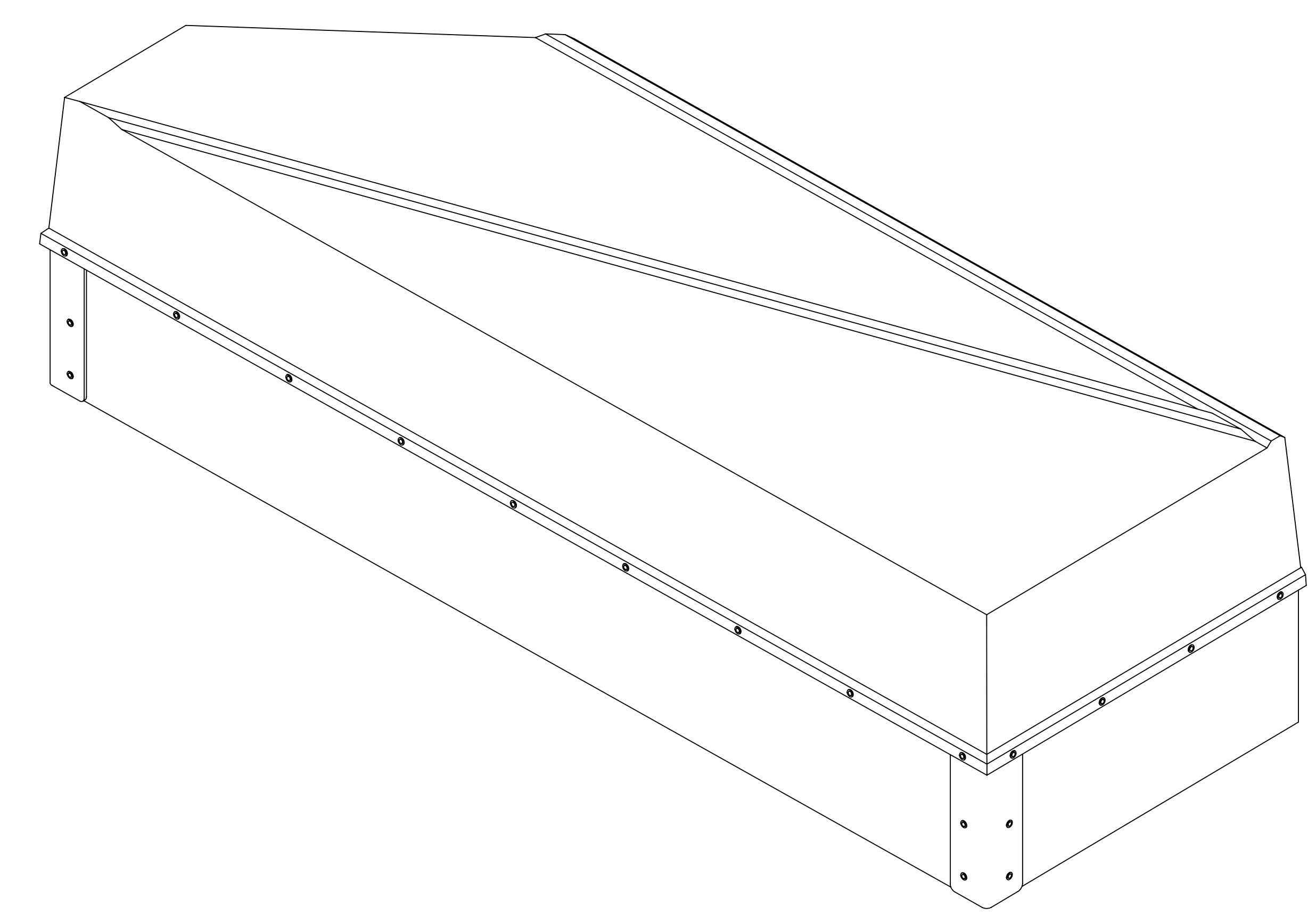
DRAWING NO. DU DESSIN



QTY	ITEM NO DE L'ART	IDENTIFYING NO D'IDENTIFICATION	NOMENCLATURE/DESCRIPTION	SPECIFICATION	CODE IDENT CODE D'IDENT
1	1	2125227-1	TOP, INSERT		36376
1	2	2125228-1	PANEL, 1		36376
1	3	2125229-1	PANEL, 2		36376
1	4	2125230-1	PANEL, 3		36376
1	5	2125231-1	PANEL, 4		36376
2	6	2125232-1	CORNER, 2		36376
1	7	2125233-1	CORNER, 1		36376
13	8	CR3213-4-05	UNIVERSAL HD SOLID RIVET		
12	9	CR3213-4-06	UNIVERSAL HD SOLID RIVET		
6	10	CR3213-4-07	UNIVERSAL HD SOLID RIVET		
60	11	NAS1149FN432P	WASHER FLAT, #6		



SECTION B-B  
SCALE: 1:4



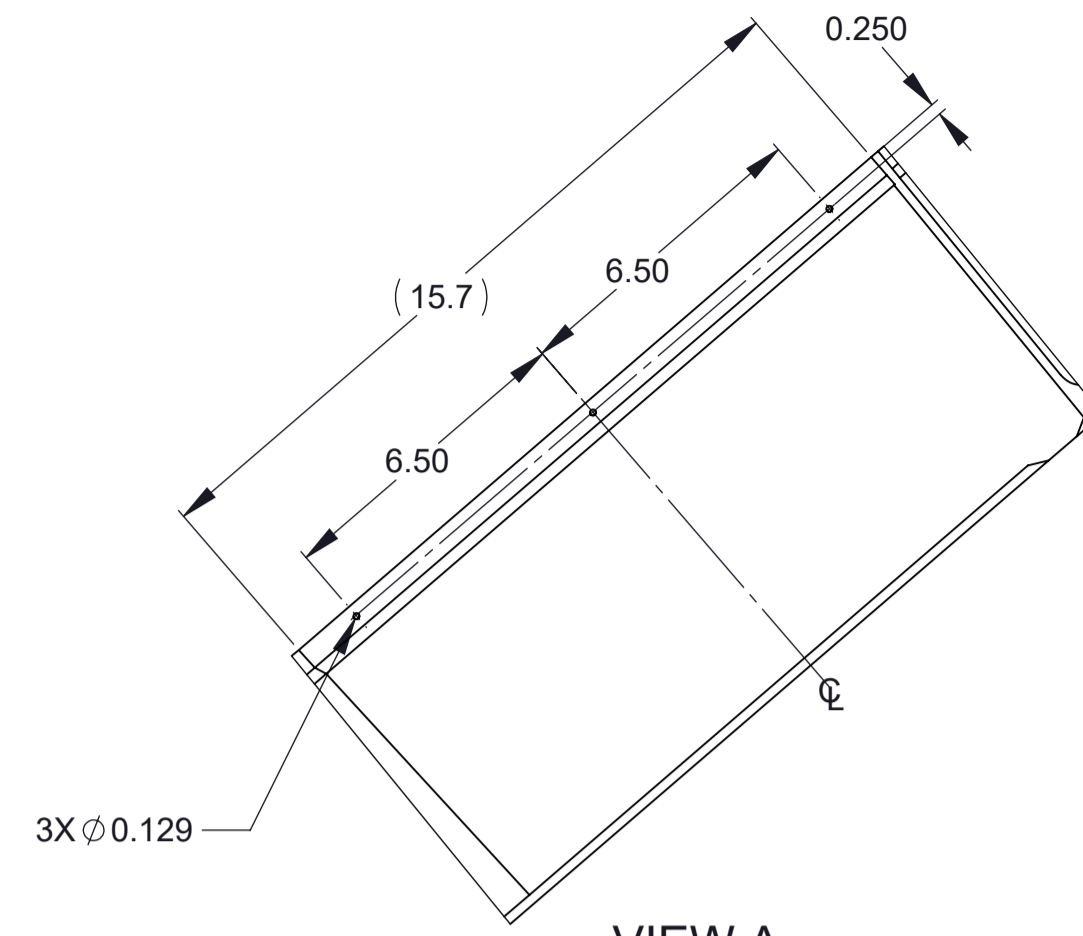
NOTICE  
THE DEPARTMENT OF NATIONAL DEFENCE DOES NOT WARRANT OR GUARANTEE THE CORRECTNESS OR ACCURACY OF THE INFORMATION CONTAINED IN THIS DOCUMENT FOR OTHER THAN OFFICIAL DEFENCE PURPOSES. THE DEPARTMENT OF NATIONAL DEFENCE DOES NOT GRANT ANY LICENCE, CONVEY ANY INTELLECTUAL PROPERTY RIGHTS, OR GIVE PERMISSION FOR ANY USE IN WHOLE OR IN PART BY ANY RECIPIENT, HOLDER OR USER OF THIS DOCUMENT, AND ANY SUCH PERSON USING THIS DOCUMENT OR THE INFORMATION THEREIN DOES SO AT THEIR OWN RISK.

**NOTICE**  
This documentation has been reviewed by the technical authority and does not contain controlled items.  
Cette documentation a été revue par l'autorité technique et ne contient pas d'articles techniques contrôlés.  
**AVIS**  
Ce document a été examiné par l'autorité technique et ne contient pas d'articles techniques contrôlés.

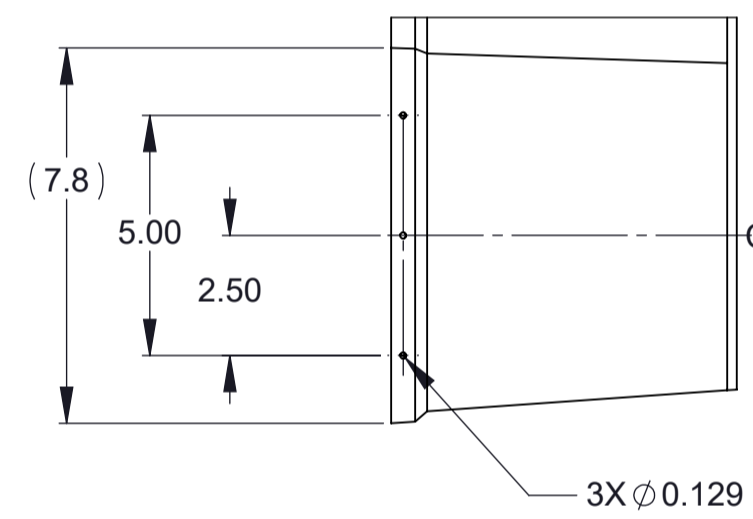
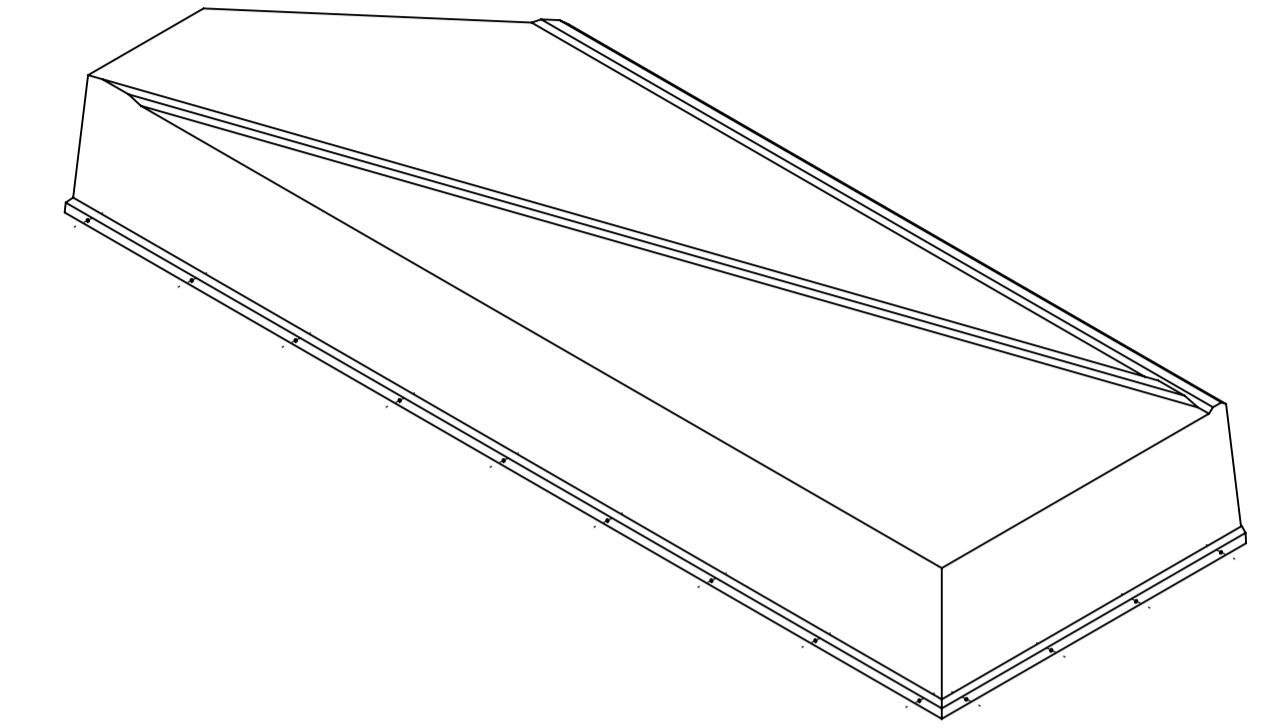
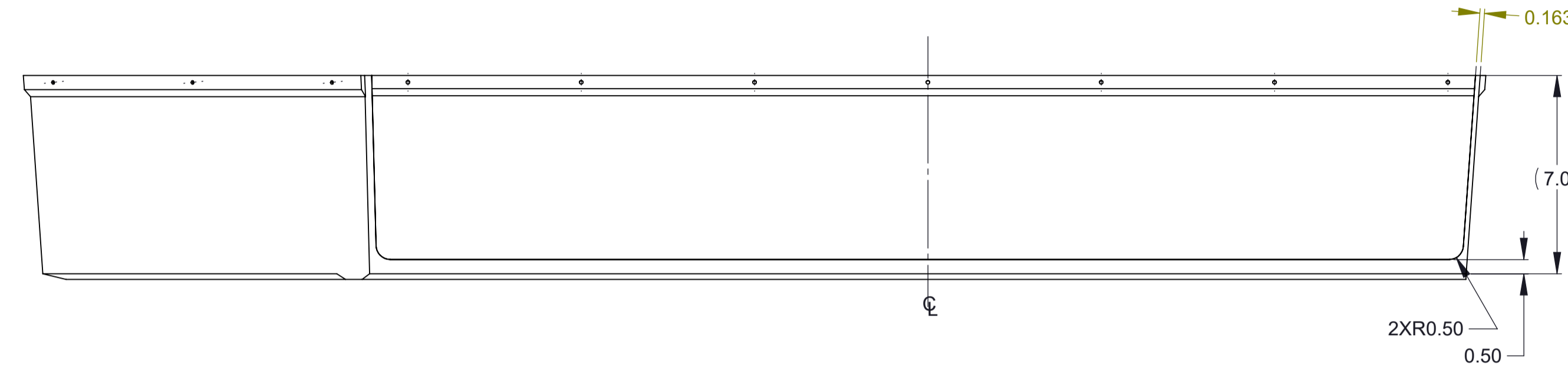
UNLESS OTHERWISE SPECIFIED: SAUF INDICATION CONTRAIRE:		APPLICATION / USAGE 2125225	
1. DIMENSIONS ARE IN INCHES DIMENSIONS SONT EN	2. TOLERANCES FRACTIONS: ± .005 DECIMALS: ± .005 DECIMALES: ± .005	3. SURFACE FINISH FINIS DE SURFACES	4. SCALE ECHELLE: 1:4
DRAWING INTERPRETATION INTERPRETER LE DESSIN PAR		CF 01-400-001/SG-000 LEVEL 1/NEAU - 2	

TDAN 214271008							
ZONE	LTR LET	REVISION	DATE	DWN DES	CKD VER	APPL APP	
DND-CANADIAN ARMED FORCES ARMÉES CANADIENNES-MDN							
DESIGN AGENT / CONCEPTION 37473 / AOSF				NSCM / CAOP 36376		DRAWING DATE DU DESSIN 2021-11-15	
TITLE / TITRE TOP INSERT ASSY				DRAWING NO. DU DESSIN 2125226			
SHEET / FEUILLE 1 OF 1				PAGE 17 OF 33			

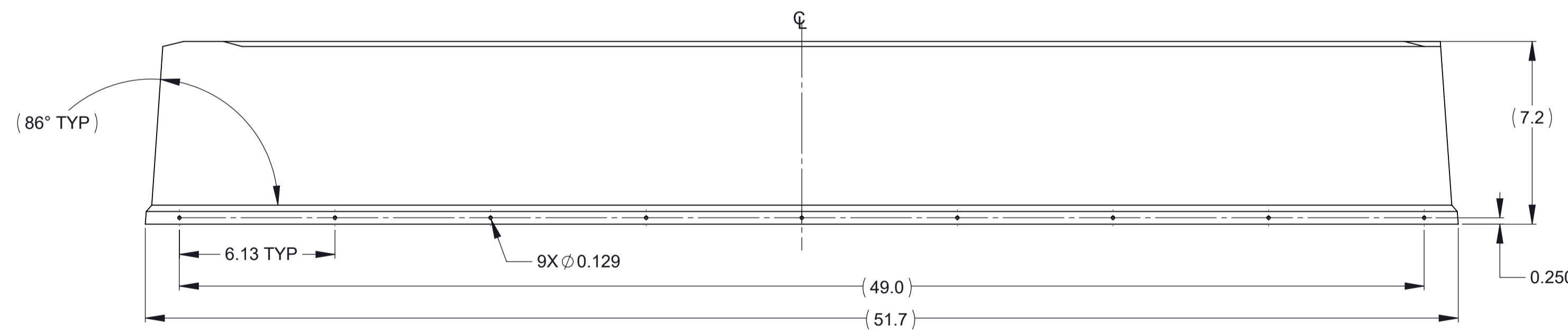
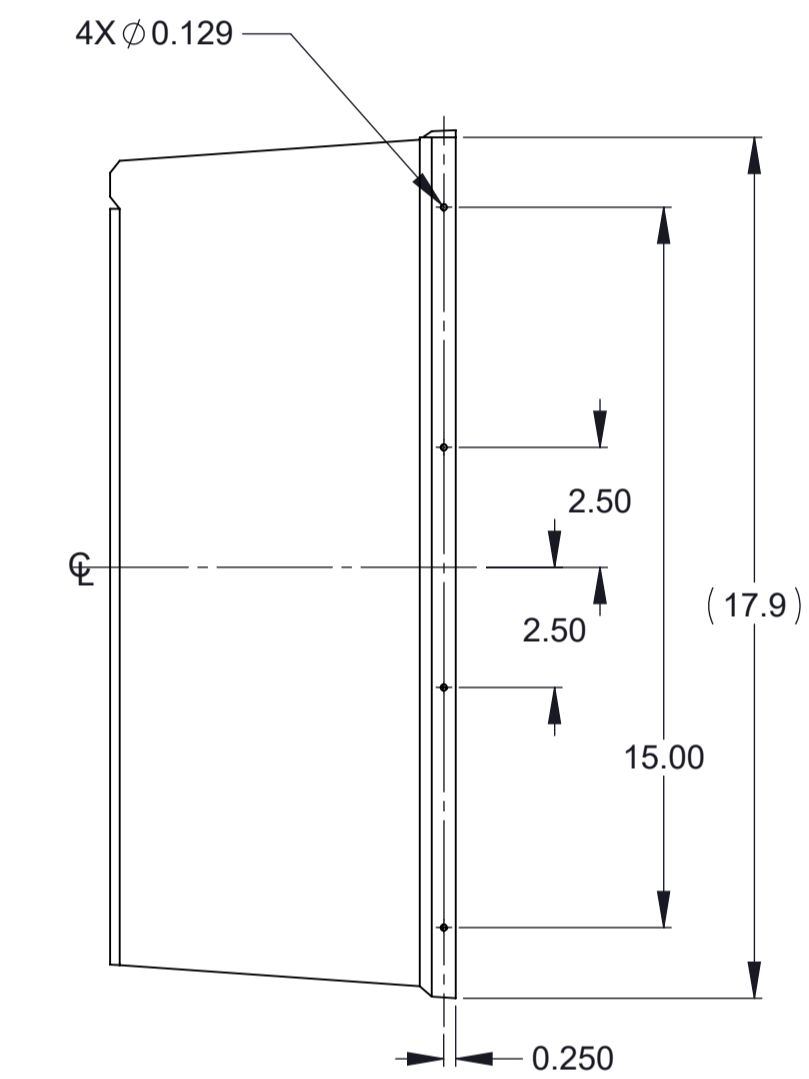
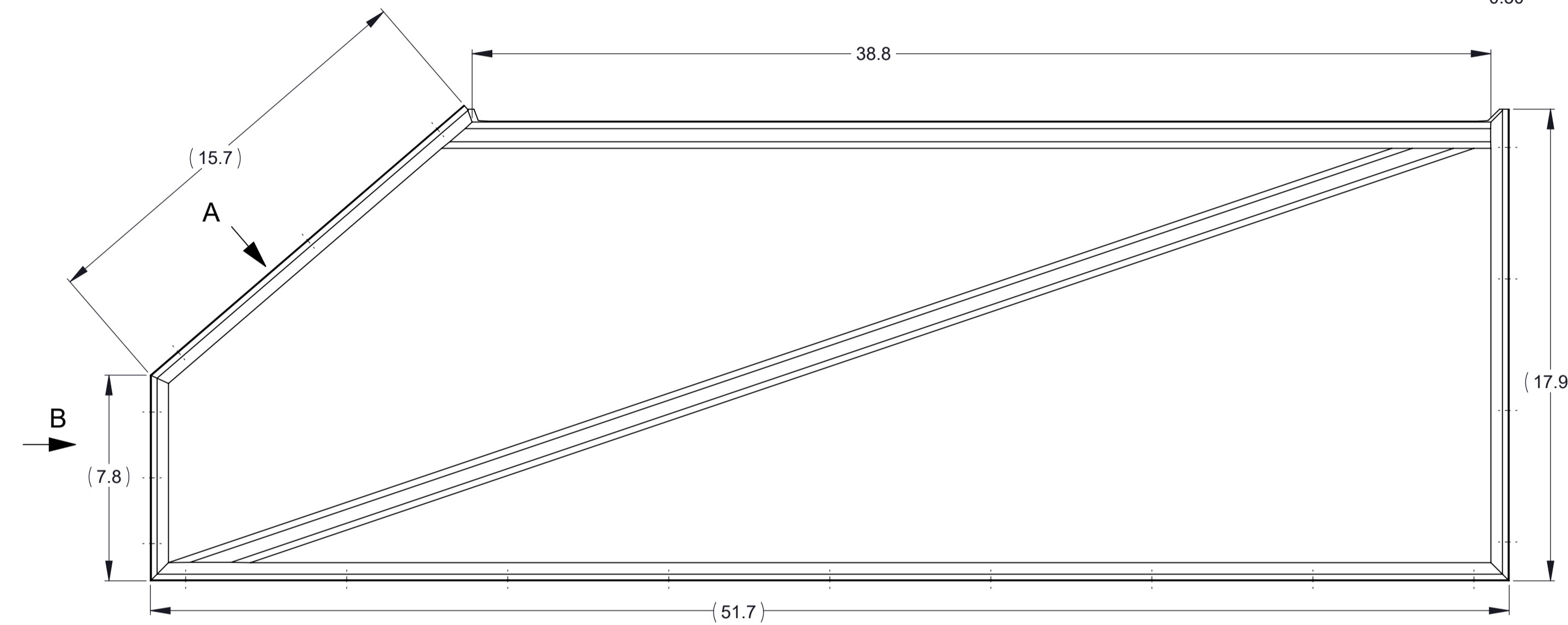
-1 /QTY	ITEM NO DE L'ART	IDENTIFYING NO D'IDENTIFICATION	NOMENCLATURE/DESCRIPTION	SPECIFICATION	CODE IDENT CODE D'IDENT
1	1		SHEET, 0.125THK, KYDEX 100, ANY COLOUR		COMMERCIAL



VIEW A  
SCALE: 1 : 4



VIEW B  
SCALE: 1 : 4



NOTES:  
1. PRODUCE USING MOULD CF PN 2125241-1, USING THERMAL FORMING TO OBTAIN A THICKNESS OF 0.080 ± 0.020.

NOTICE

THE DEPARTMENT OF NATIONAL DEFENCE DOES NOT WARRANT OR GUARANTEE THE CORRECTNESS OR ACCURACY OF THE INFORMATION CONTAINED IN THIS DOCUMENT FOR OTHER THAN OFFICIAL DEFENCE PURPOSES. THE DEPARTMENT OF NATIONAL DEFENCE DOES NOT GRANT ANY LICENCE, CONVEY ANY INTELLECTUAL PROPERTY RIGHTS, OR GIVE PERMISSION FOR ANY USE IN WHOLE OR IN PART BY ANY RECIPIENT, HOLDER OR USER OF THIS DOCUMENT, AND ANY SUCH PERSON USING THIS DOCUMENT OR THE INFORMATION THEREIN DOES SO AT THEIR OWN RISK.

**NOTICE**  
This documentation has been reviewed by the technical authority and does not contain controlled goods. Disclosure notices and handling instructions originally received with the document shall continue to apply.

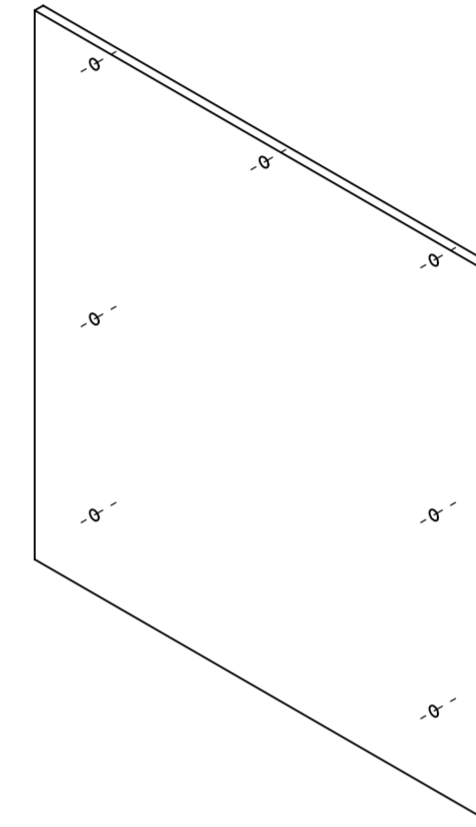
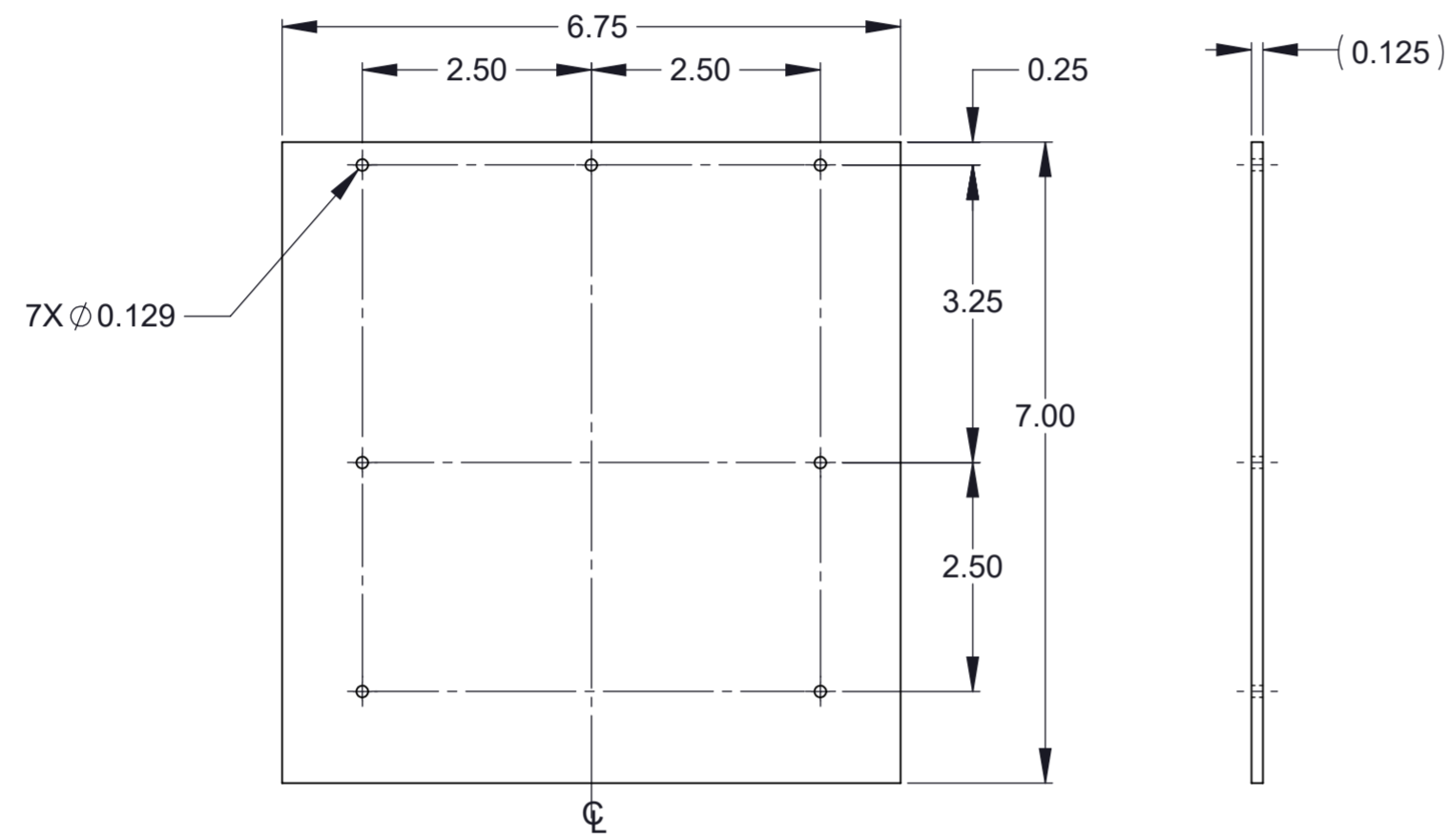
**AVIS**  
Cette documentation a été révisée par l'autorité technique et ne contient pas de marchandises contrôlées. Les avis de divulgation et les instructions de manipulation reçues originellement doivent continuer de s'appliquer.

UNLESS OTHERWISE SPECIFIED: SAUF INDICATION CONTRAIRE:		APPLICATION / USAGE 2125226
1. DIMENSIONS ARE IN INCHES DIMENSIONS SONT EN	2. TOLERANCES FRACTIONS DECIMALS DECIMALES ANGLES	
3. SURFACE FINISH FINIS DE SURFACES	XXX: ± 0.005 XX: ± 0.03 X: ± 0.1 : ± 0.5°	
4. SCALE ECHELLE 1:4		
DRAWING INTERPRETATION INTERPRETER LE DESSIN PAR	CF D-01-400-001/SG-000 LEVEL / NIVEAU - 2	

TDAN 214271008		-	-	-	-
ZONE	LTR LET	REVISION	DATE	DWN DES	CKD VER
DND-CANADIAN ARMED FORCES ARMÉES CANADIENNES-MDN					
DESIGN AGENT / CONCEPTION 37473 / AOSF	NSCM / CAOF 36376	DRAWING DATE DU DESSIN 2021-11-15	A1		
TITLE / TITRE TOP, INSERT		DRAWING NO. DU DESSIN 2125227			
SHEET FEUILLE	1	OF DE	1		

-1 /QTY	ITEM NO DE L'ART	IDENTIFYING NO D'IDENTIFICATION	NOMENCLATURE/DESCRIPTION	SPECIFICATION	CODE IDENT CODE D'IDENT
1	1		SHEET, 0125 THK, KYDEX 100, ANY COLOUR		COMMERCIAL

MM 0 20 40 60 80 100 120 140 160 180 200



**NOTICE**  
This documentation has been reviewed by the technical authority and does not contain controlled goods. Disclosure notices and handling instructions originally received with the document shall continue to apply.

**AVIS**  
Cette documentation a été révisée par l'autorité technique et ne contient pas de marchandises contrôlées. Les avis de divulgation et les instructions de manutention reçues originellement doivent continuer de s'appliquer.

NOTICE

THE DEPARTMENT OF NATIONAL DEFENCE DOES NOT WARRANT OR GUARANTEE THE CORRECTNESS OR ACCURACY OF THE INFORMATION CONTAINED IN THIS DOCUMENT FOR OTHER THAN OFFICIAL DEFENCE PURPOSES. THE DEPARTMENT OF NATIONAL DEFENCE DOES NOT GRANT ANY LICENCE, CONVEY ANY INTELLECTUAL PROPERTY RIGHTS, OR GIVE PERMISSION FOR ANY USE IN WHOLE OR IN PART BY ANY RECIPIENT, HOLDER OR USER OF THIS DOCUMENT, AND ANY SUCH PERSON USING THIS DOCUMENT OR THE INFORMATION THEREIN DOES SO AT THEIR OWN RISK.

UNLESS OTHERWISE SPECIFIED:  
SAUF INDICATION CONTRAIRE:

1. DIMENSIONS ARE IN DIMENSIONS SONT EN	<b>INCHES</b>	
2. TOLERANCES FRACTIONS DECIMALS DECIMALES		: ± - XXX: ± 0.005 XX: ± 0.03
3. SURFACE FINISH FINIS DE SURFACES		
4. SCALE ECHELLE	1:2	ANGLES : ± -

DRAWING INTERPRETATION INTERPRETER LE DESSIN PAR

CF D-01-400-001/SG-000 LEVEL / NIVEAU - 2

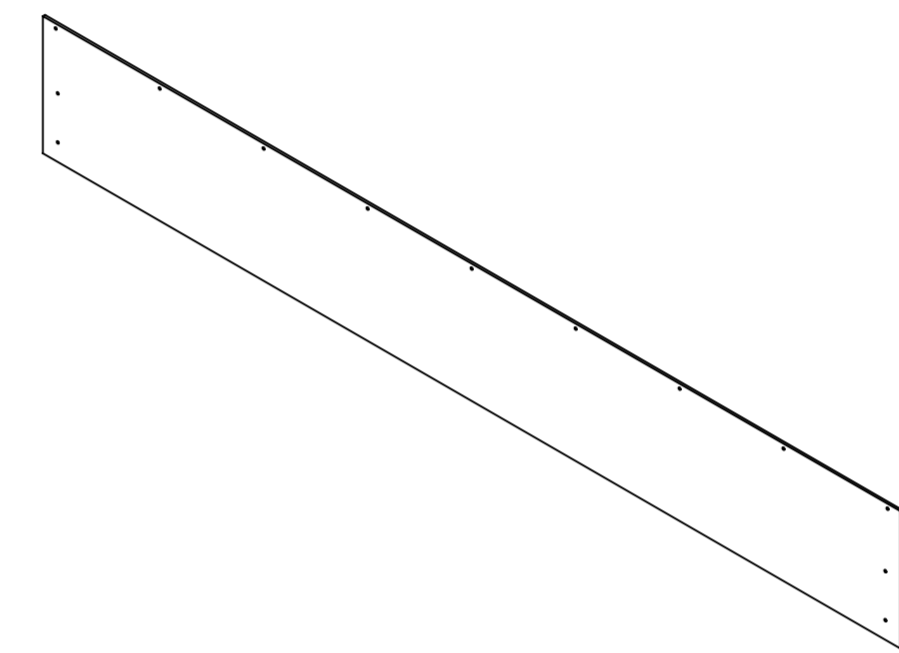
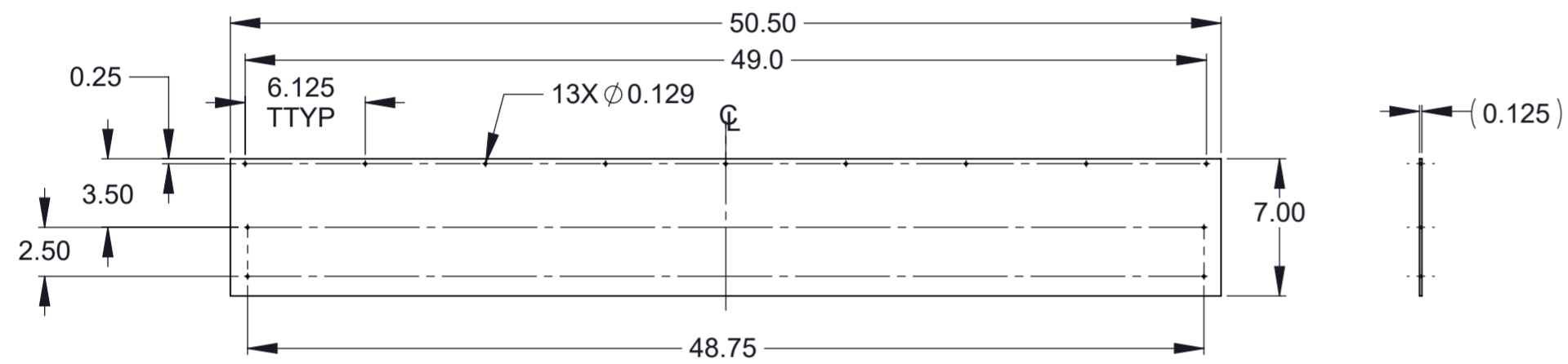
APPLICATION / USAGE  
2125226

TDAN 214271008	-	-	-	-		
ZONE	LTR LET	REVISION	DATE	DWN DES	CKD VER	APPVL APP
DND-CANADIAN ARMED FORCES ARMÉES CANADIENNES-MDN						
DESIGN AGENT / CONCEPTION 37473 / AOSF		NSCM / CAOF 36376		DRAWING DATE DU DESSIN 2021-11-15		A2
TITLE / TITRE <b>PANEL, 1</b>				DRAWING NO. DU DESSIN <b>2125228</b>		
SHEET FEUILLE		1	OF DE	1		

DRAWING NO. DU DESSIN ?

-1 /QTY	ITEM NO DE L'ART	IDENTIFYING NO D'IDENTIFICATION	NOMENCLATURE/DESCRIPTION	SPECIFICATION	CODE IDENT CODE D'IDENT
1	1		SHEET, 0.125THK, KYDEX 100, ANY COLOUR		COMMERCIAL

MM 0 20 40 60 80 100 120 140 160 180 200



**NOTICE**  
This documentation has been reviewed by the technical authority and does not contain controlled goods. Disclosure notices and handling instructions originally received with the document shall continue to apply.

**AVIS**  
Cette documentation a été révisée par l'autorité technique et ne contient pas de marchandises contrôlées. Les avis de divulgation et les instructions de maintenance reçues originalement doivent continuer de s'appliquer.

UNLESS OTHERWISE SPECIFIED:  
SAUF INDICATION CONTRAIRE:

1. DIMENSIONS ARE IN INCHES DIMENSIONS SONT EN	2. TOLERANCES FRACTIONS : ± - DECIMALS XXX: ± 0.005 DECIMALES XX: ± 0.03 X: ± - ANGLES : ± -
3. SURFACE FINISH FINIS DE SURFACES	
4. SCALE ECHELLE 1:8	

DRAWING INTERPRETATION INTERPRETER LE DESSIN PAR

APPLICATION / USAGE  
2125226

CF D-01-400-001/SG-000  
LEVEL / NIVEAU - 2

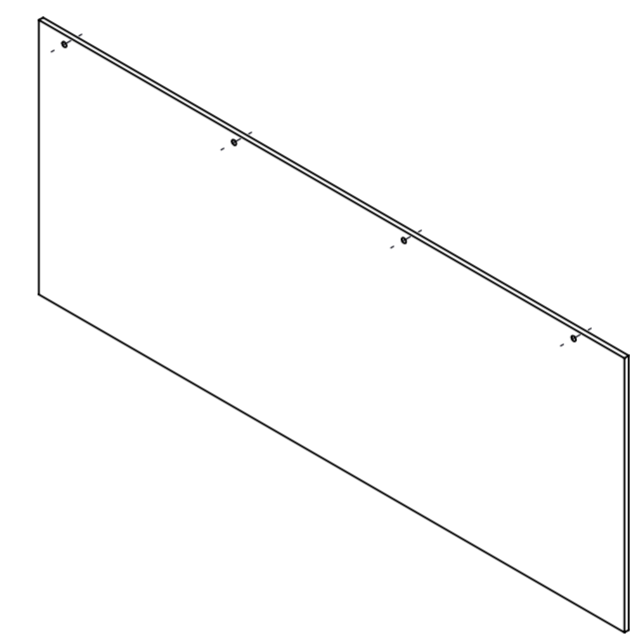
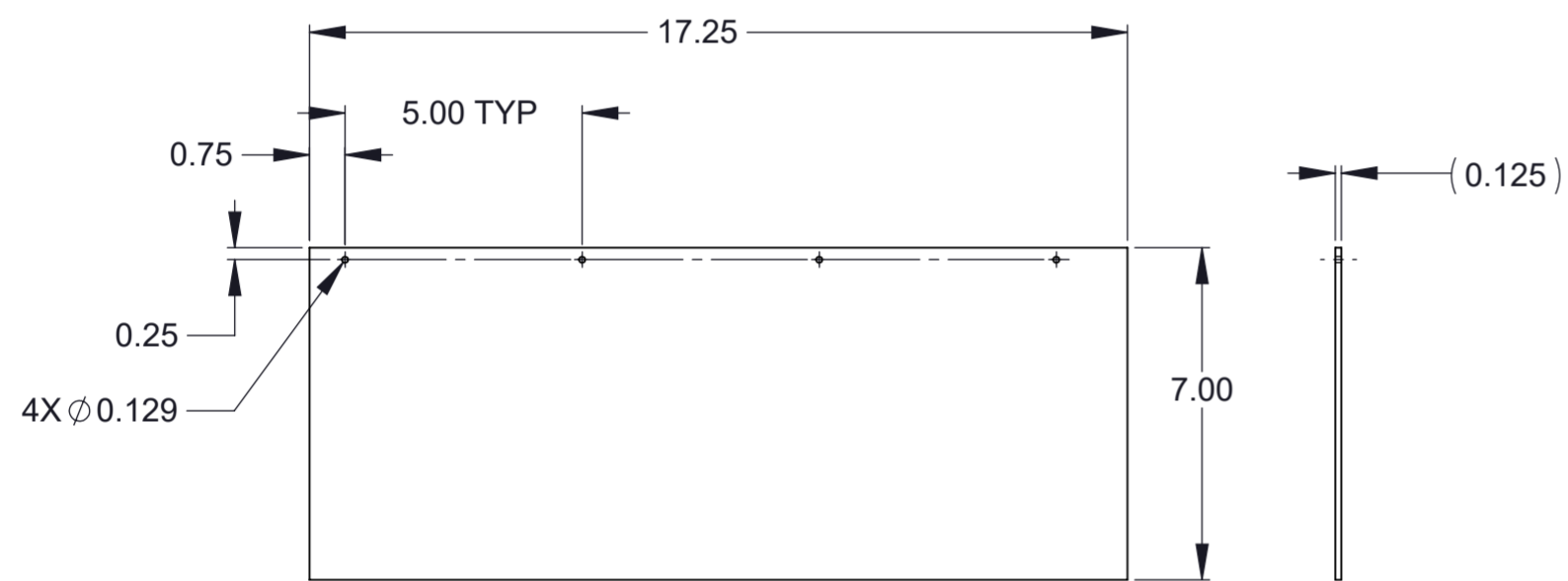
-		TDAN 214271008		-	-	-	-
ZONE	LTR LET	REVISION		DATE	DWN DES	CKD VER	APPVL APP
DND-CANADIAN ARMED FORCES ARMÉES CANADIENNES-MDN							
DESIGN AGENT / CONCEPTION 37473 / AOSF		NSCM / CAOF 36376		DRAWING DATE DU DESSIN 2021-11-15		A2	
TITLE / TITRE PANEL, 2				DRAWING NO. DU DESSIN 2125229			
SHEET FEUILLE 1		OF DE 1					

THE DEPARTMENT OF NATIONAL DEFENCE DOES NOT WARRANT OR GUARANTEE THE CORRECTNESS OR ACCURACY OF THE INFORMATION CONTAINED IN THIS DOCUMENT FOR OTHER THAN OFFICIAL DEFENCE PURPOSES. THE DEPARTMENT OF NATIONAL DEFENCE DOES NOT GRANT ANY LICENCE, CONVEY ANY INTELLECTUAL PROPERTY RIGHTS, OR GIVE PERMISSION FOR ANY USE IN WHOLE OR IN PART BY ANY RECIPIENT, HOLDER OR USER OF THIS DOCUMENT, AND ANY SUCH PERSON USING THIS DOCUMENT OR THE INFORMATION THEREIN DOES SO AT THEIR OWN RISK.

DRAWING NO. DU DESSIN ?

-1 /QTY	ITEM NO DE L'ART	IDENTIFYING NO D'IDENTIFICATION	NOMENCLATURE/DESCRIPTION	SPECIFICATION	CODE IDENT CODE D'IDENT
1	1		SHEET, 0.125 THK, KYDEX 100, ANY COLOUR		COMMERCIAL

MM 0 20 40 60 80 100 120 140 160 180 200



**NOTICE**  
This documentation has been reviewed by the technical authority and does not contain controlled goods. Disclosure notices and handling instructions originally received with the document shall continue to apply.

**AVIS**  
Cette documentation a été révisée par l'autorité technique et ne contient pas de marchandises contrôlées. Les avis de divulgation et les instructions de manutention reçues originalement doivent continuer de s'appliquer.

UNLESS OTHERWISE SPECIFIED:  
SAUF INDICATION CONTRAIRE:

1. DIMENSIONS ARE IN INCHES  
DIMENSIONS SONT EN

2. TOLERANCES  
FRACTIONS : ± -  
DECIMALS XXX: ± 0.005  
DECIMALES XX: ± 0.03  
X: ± -  
ANGLES : ± -

3. SURFACE FINISH  
FINIS DE SURFACES

4. SCALE 1:5  
ECHELLE

DRAWING INTERPRETATION  
INTERPRETER LE DESSIN PAR

CF D-01-400-001/SG-000  
LEVEL / NIVEAU - 2

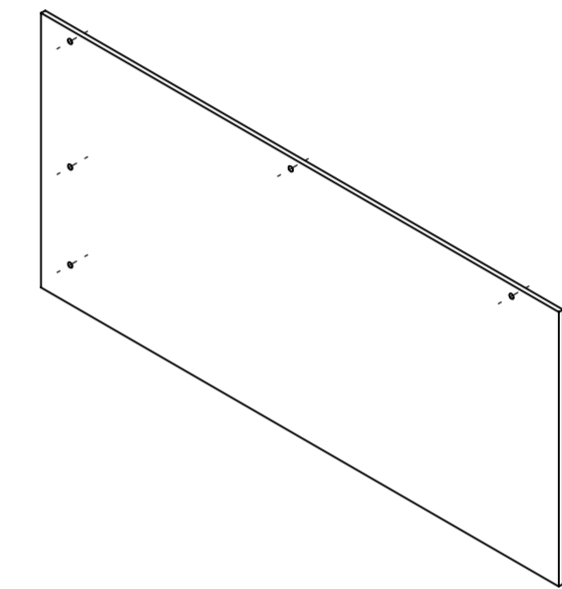
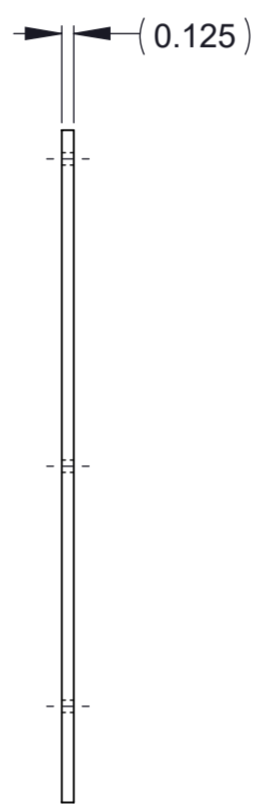
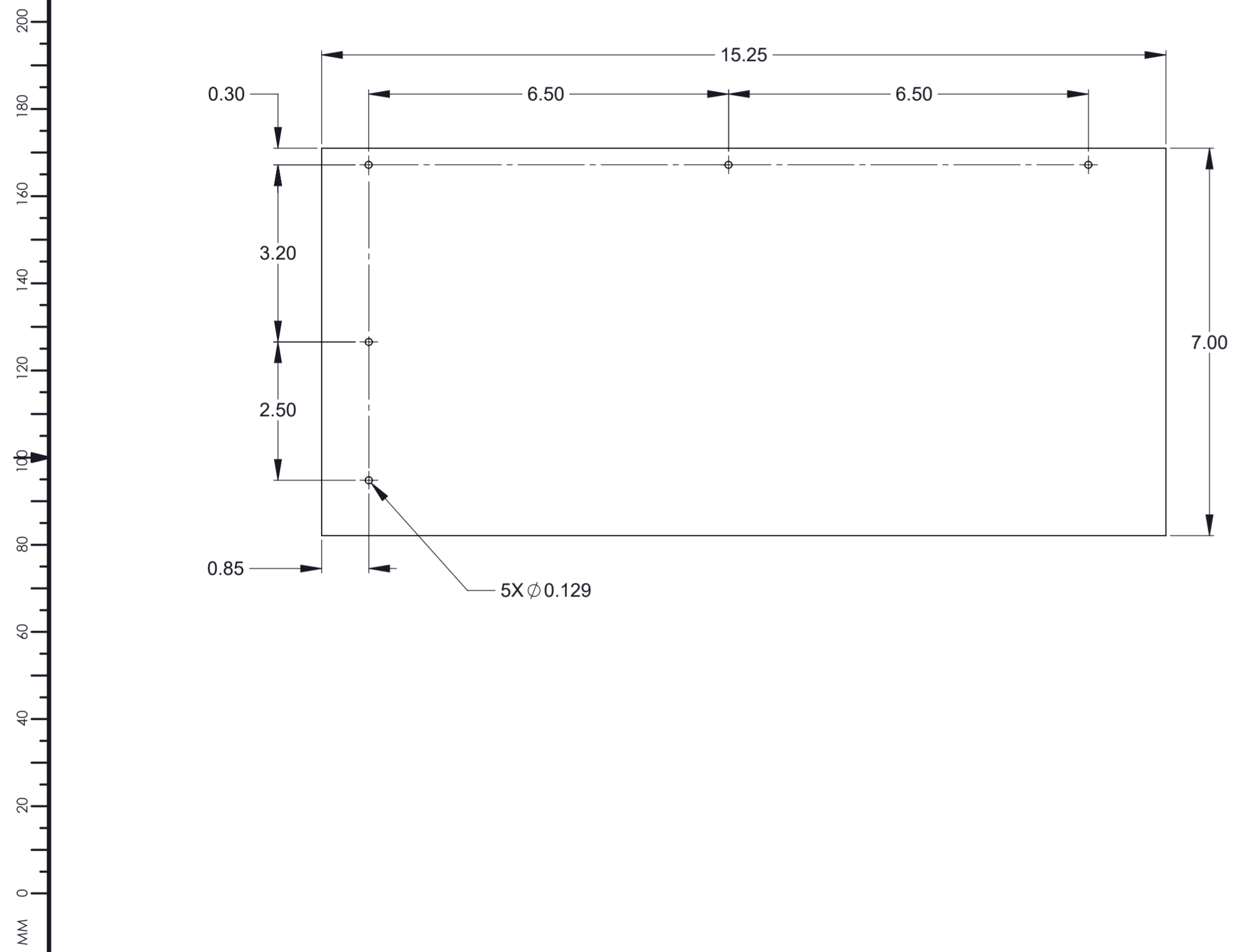
APPLICATION / USAGE  
2125226

TDAN 214271008	-	-	-	-		
ZONE	LTR LET	REVISION	DATE	DWN DES	CKD VER	APPVL APP
DND-CANADIAN ARMED FORCES ARMÉES CANADIENNES-MDN						
DESIGN AGENT / CONCEPTION 37473 / AOSF		NSCM / CAOF 36376		DRAWING DATE DU DESSIN 2021-11-15		A2
TITLE / TITRE PANEL, 3				DRAWING NO. DU DESSIN 2125230		
SHEET FEUILLE		1	OF DE		1	

THE DEPARTMENT OF NATIONAL DEFENCE DOES NOT WARRANT OR GUARANTEE THE CORRECTNESS OR ACCURACY OF THE INFORMATION CONTAINED IN THIS DOCUMENT FOR OTHER THAN OFFICIAL DEFENCE PURPOSES. THE DEPARTMENT OF NATIONAL DEFENCE DOES NOT GRANT ANY LICENCE, CONVEY ANY INTELLECTUAL PROPERTY RIGHTS, OR GIVE PERMISSION FOR ANY USE IN WHOLE OR IN PART BY ANY RECIPIENT, HOLDER OR USER OF THIS DOCUMENT, AND ANY SUCH PERSON USING THIS DOCUMENT OR THE INFORMATION THEREIN DOES SO AT THEIR OWN RISK.

DRAWING NO. DU DESSIN ?

-1 /QTY	ITEM NO DE L'ART	IDENTIFYING NO D'IDENTIFICATION	NOMENCLATURE/DESCRIPTION	SPECIFICATION	CODE IDENT CODE D'IDENT
1	1		SHEET, 0.125 THK, KYDEX 100. ANY COLOUR		COMMERCIAL



**NOTICE**  
This documentation has been reviewed by the technical authority and does not contain controlled goods. Disclosure notices and handling instructions originally received with the document shall continue to apply.

**AVIS**  
Cette documentation a été révisée par l'autorité technique et ne contient pas de marchandises contrôlées. Les avis de divulgation et les instructions de manutention reçues originellement doivent continuer de s'appliquer.

UNLESS OTHERWISE SPECIFIED:  
SAUF INDICATION CONTRAIRE:

1. DIMENSIONS ARE IN INCHES DIMENSIONS SONT EN	2. TOLERANCES FRACTIONS DECIMALS DECIMALES
3. SURFACE FINISH FINIS DE SURFACES	: ± - XXX: ± 0.005 XX: ± 0.03 X: ± - : ± -
4. SCALE ECHELLE 1:2	ANGLES

DRAWING INTERPRETATION INTERPRETER LE DESSIN PAR

APPLICATION / USAGE  
2125226

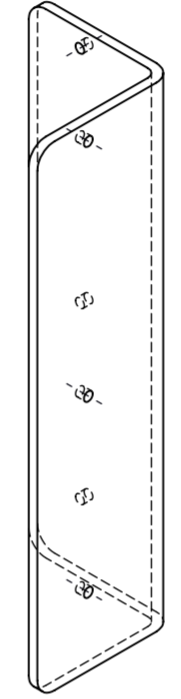
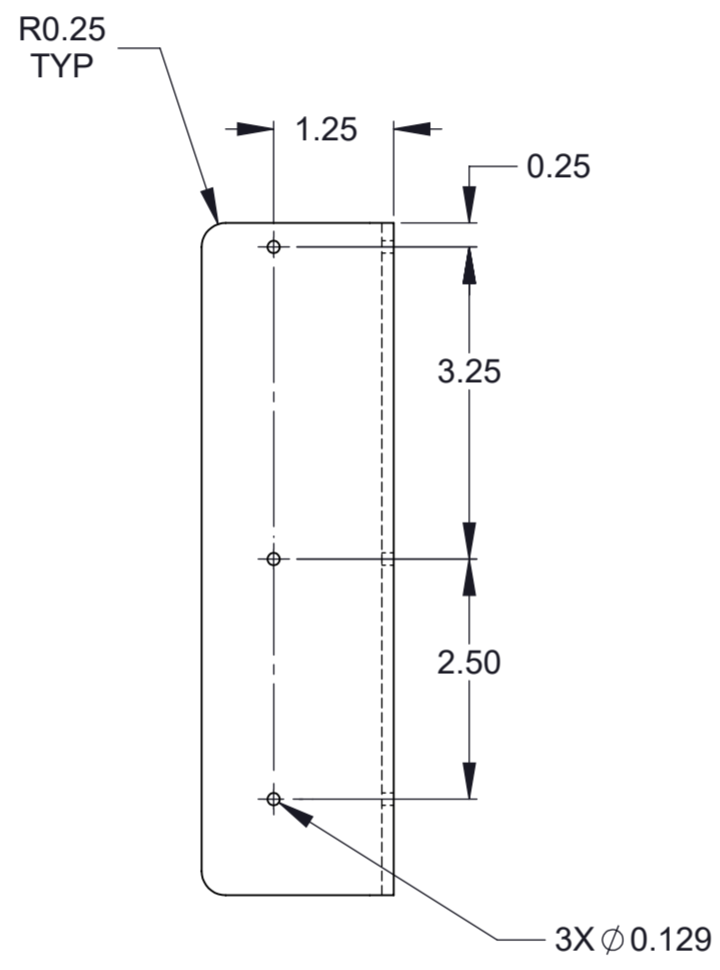
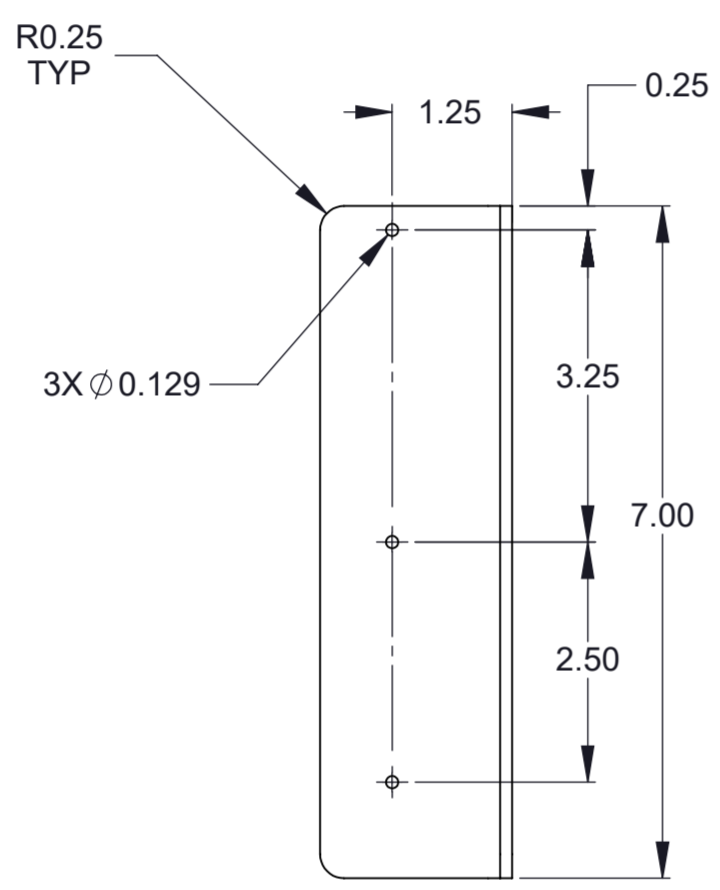
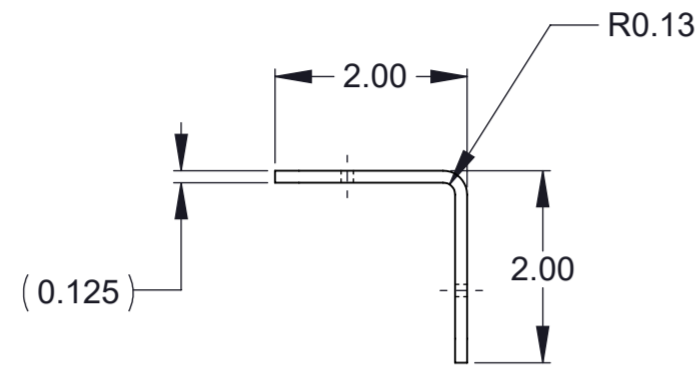
ZONE	LTR LET	TDAN 214271008	DATE	DWN DES	CKD VER	APPVL APP
		REVISION				
DND-CANADIAN ARMED FORCES ARMÉES CANADIENNES-MDN						
DESIGN AGENT / CONCEPTION 37473 / AOSF		NSCM / CAOF 36376	DRAWING DATE DU DESSIN 2021-11-15		A2	
TITLE / TITRE PANEL, 4			DRAWING NO. DU DESSIN 2125231			
SHEET FEUILLE 1		OF DE 1				

THE DEPARTMENT OF NATIONAL DEFENCE DOES NOT WARRANT OR GUARANTEE THE CORRECTNESS OR ACCURACY OF THE INFORMATION CONTAINED IN THIS DOCUMENT FOR OTHER THAN OFFICIAL DEFENCE PURPOSES. THE DEPARTMENT OF NATIONAL DEFENCE DOES NOT GRANT ANY LICENCE, CONVEY ANY INTELLECTUAL PROPERTY RIGHTS, OR GIVE PERMISSION FOR ANY USE IN WHOLE OR IN PART BY ANY RECIPIENT, HOLDER OR USER OF THIS DOCUMENT, AND ANY SUCH PERSON USING THIS DOCUMENT OR THE INFORMATION THEREIN DOES SO AT THEIR OWN RISK.

DRAWING NO. DU DESSIN ?

-1 /QTY	ITEM NO DE L'ART	IDENTIFYING NO D'IDENTIFICATION	NOMENCLATURE/DESCRIPTION	SPECIFICATION	CODE IDENT CODE D'IDENT
1	1		SHEET, 0.125 THK, KYDEX 100, ANY COLOUR		COMMERCIAL

MM 0 20 40 60 80 100 120 140 160 180 200



**NOTICE**  
This documentation has been reviewed by the technical authority and does not contain controlled goods. Disclosure notices and handling instructions originally received with the document shall continue to apply.

**AVIS**  
Cette documentation a été révisée par l'autorité technique et ne contient pas de marchandises contrôlées. Les avis de divulgation et les instructions de maintenance reçues originalement doivent continuer de s'appliquer.

NOTICE

THE DEPARTMENT OF NATIONAL DEFENCE DOES NOT WARRANT OR GUARANTEE THE CORRECTNESS OR ACCURACY OF THE INFORMATION CONTAINED IN THIS DOCUMENT FOR OTHER THAN OFFICIAL DEFENCE PURPOSES. THE DEPARTMENT OF NATIONAL DEFENCE DOES NOT GRANT ANY LICENCE, CONVEY ANY INTELLECTUAL PROPERTY RIGHTS, OR GIVE PERMISSION FOR ANY USE IN WHOLE OR IN PART BY ANY RECIPIENT, HOLDER OR USER OF THIS DOCUMENT, AND ANY SUCH PERSON USING THIS DOCUMENT OR THE INFORMATION THEREIN DOES SO AT THEIR OWN RISK.

UNLESS OTHERWISE SPECIFIED:  
SAUF INDICATION CONTRAIRE:

1. DIMENSIONS ARE IN DIMENSIONS SONT EN	<b>INCHES</b>	
2. TOLERANCES FRACTIONS DECIMALS DECIMALES	$\sqrt{\quad}$	: ± - XXX: ± 0.005 XX: ± 0.03 X: ± - : ± -
3. SURFACE FINISH FINIS DE SURFACES		
4. SCALE ECHELLE	1:2	

DRAWING INTERPRETATION INTERPRETER LE DESSIN PAR

APPLICATION / USAGE  
2125226

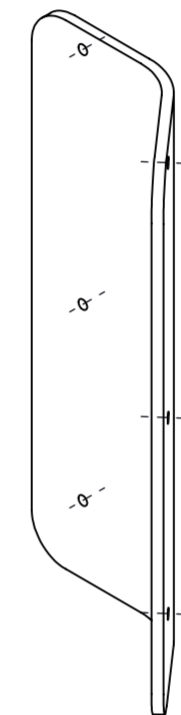
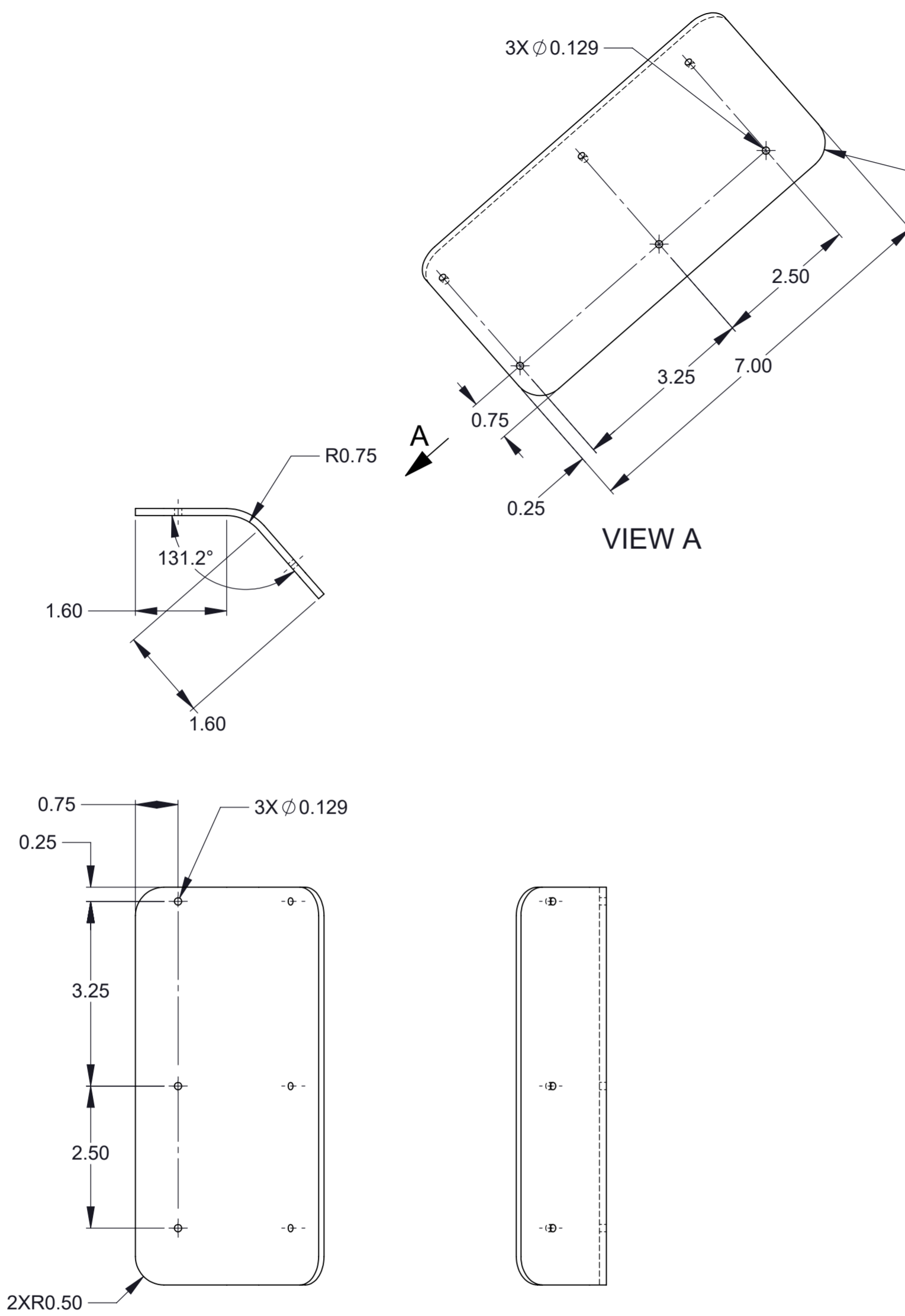
CF D-01-400-001/SG-000  
LEVEL / NIVEAU - 2

		TDAN 214271008		-	-	-	-
ZONE	LTR LET	REVISION		DATE	DWN DES	CKD VER	APPVL APP
DND-CANADIAN ARMED FORCES ARMÉES CANADIENNES-MDN							
DESIGN AGENT / CONCEPTION 37473 / AOSF		NSCM / CAOF 36376		DRAWING DATE DU DESSIN 2021-11-15		A2	
TITLE / TITRE <b>CORNER, 2</b>				DRAWING NO. DU DESSIN <b>2125232</b>			
SHEET FEUILLE		1	OF DE			1	

DRAWING NO. DU DESSIN ?

-1 /QTY	ITEM NO DE L'ART	IDENTIFYING NO D'IDENTIFICATION	NOMENCLATURE/DESCRIPTION	SPECIFICATION	CODE IDENT CODE D'IDENT
1	1		SHEET, 0.125 THK, KYDEX100, ANY COLOUR		COMMERCIAL

MM 0 20 40 60 80 100 120 140 160 180 200



**NOTICE**  
This documentation has been reviewed by the technical authority and does not contain controlled goods. Disclosure notices and handling instructions originally received with the document shall continue to apply.

**AVIS**  
Cette documentation a été révisée par l'autorité technique et ne contient pas de marchandises contrôlées. Les avis de divulgation et les instructions de manutention reçues originalement doivent continuer de s'appliquer.

UNLESS OTHERWISE SPECIFIED:  
SAUF INDICATION CONTRAIRE:

1. DIMENSIONS ARE IN DIMENSIONS SONT EN	<b>INCHES</b>	
2. TOLERANCES FRACTIONS DECIMALS DECIMALES		: ± - XXX: ± 0.005 XX: ± 0.03 X: ± - : ± 0.5°
3. SURFACE FINISH FINIS DE SURFACES		
4. SCALE ECHELLE	1:2	

DRAWING INTERPRETATION INTERPRETER LE DESSIN PAR

APPLICATION / USAGE  
2125226

CF D-01-400-001/SG-000  
LEVEL / NIVEAU - 2

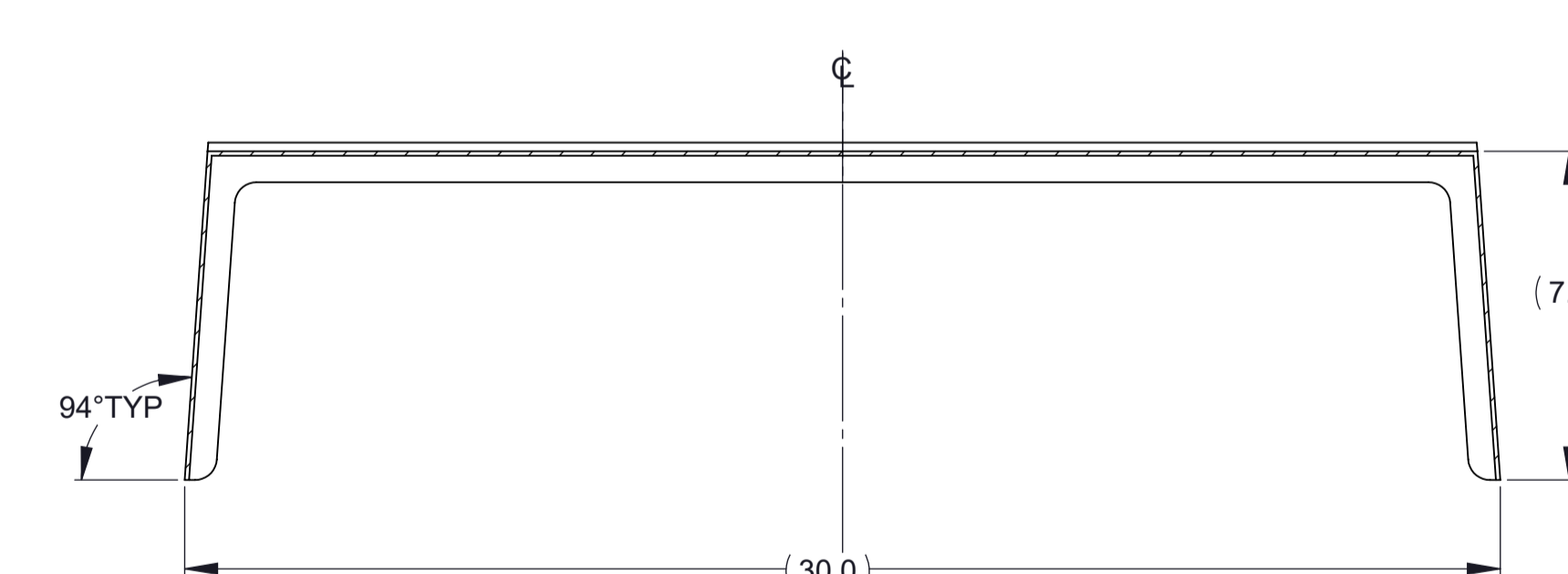
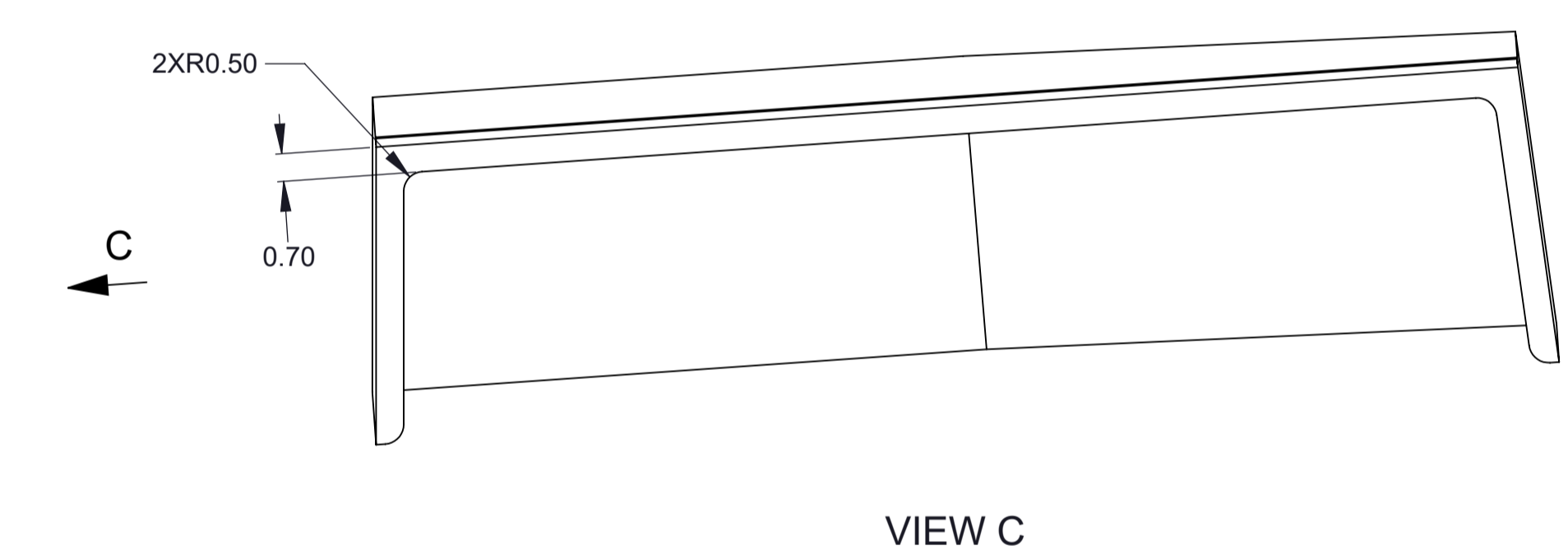
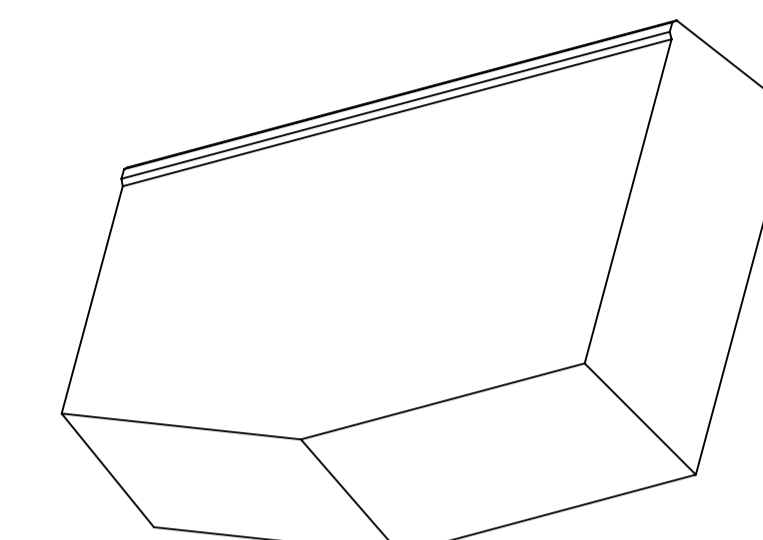
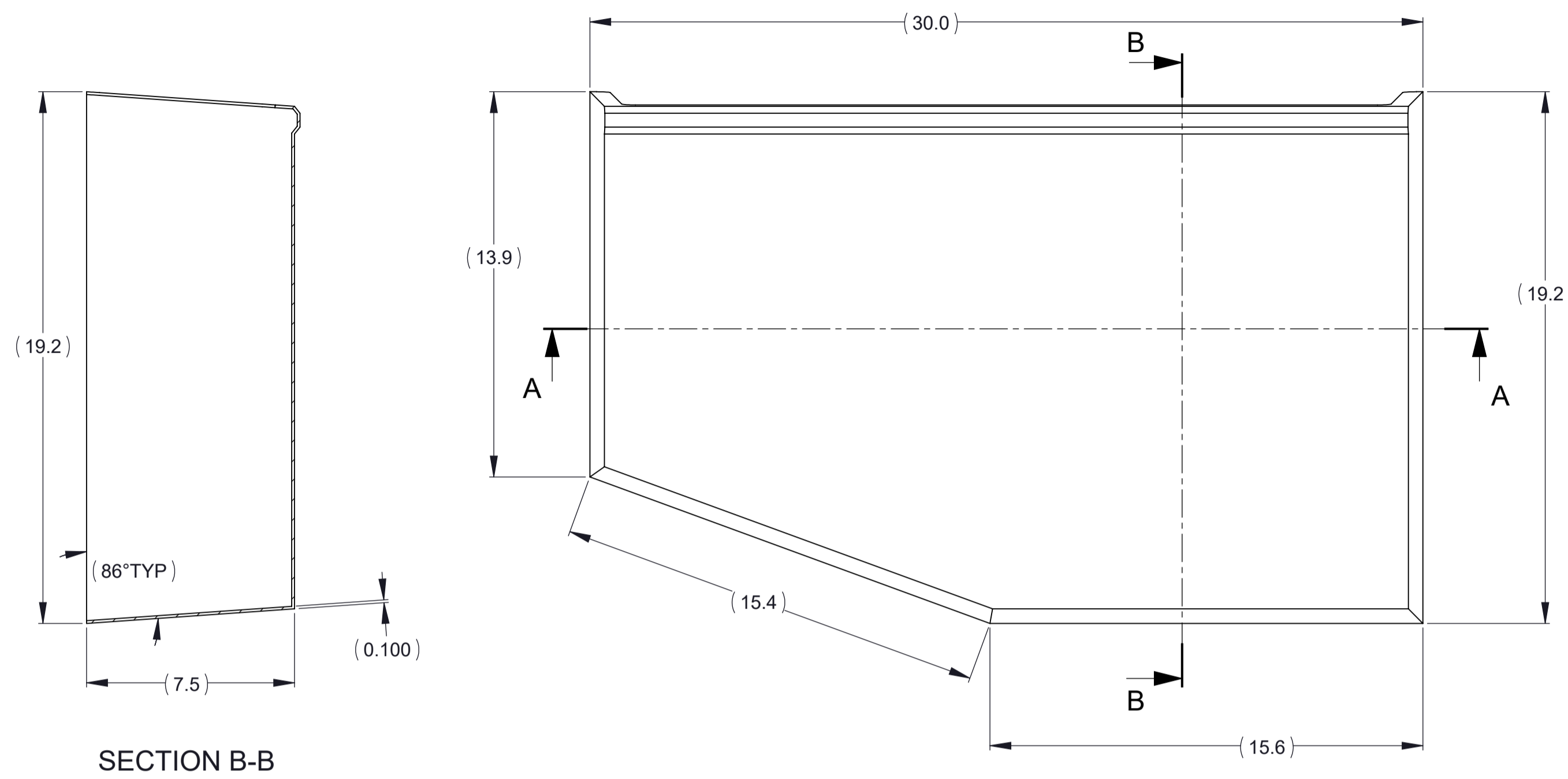
		TDAN 214271008		-	-	-	-
ZONE	LTR LET	REVISION	DATE	DWN DES	CKD VER	APPVL APP	
DND-CANADIAN ARMED FORCES ARMÉES CANADIENNES-MDN							
DESIGN AGENT / CONCEPTION 37473 / AOSF		NSCM / CAOF 36376		DRAWING DATE DU DESSIN 2021-11-15		A2	
TITLE / TITRE <b>CORNER, 1</b>				DRAWING NO. DU DESSIN <b>2125233</b>			
SHEET FEUILLE		1		OF DE		1	

THE DEPARTMENT OF NATIONAL DEFENCE DOES NOT WARRANT OR GUARANTEE THE CORRECTNESS OR ACCURACY OF THE INFORMATION CONTAINED IN THIS DOCUMENT FOR OTHER THAN OFFICIAL DEFENCE PURPOSES. THE DEPARTMENT OF NATIONAL DEFENCE DOES NOT GRANT ANY LICENCE, CONVEY ANY INTELLECTUAL PROPERTY RIGHTS, OR GIVE PERMISSION FOR ANY USE IN WHOLE OR IN PART BY ANY RECIPIENT, HOLDER OR USER OF THIS DOCUMENT, AND ANY SUCH PERSON USING THIS DOCUMENT OR THE INFORMATION THEREIN DOES SO AT THEIR OWN RISK.

DRAWING NO. DU DESSIN ?



-1 /QTY	ITEM NO DE L'ART	IDENTIFYING NO D'IDENTIFICATION	NOMENCLATURE/DESCRIPTION	SPECIFICATION	CODE IDENT CODE D'IDENT
1	1		SHEET, 0.125 THK, KYDEX 100, ANY COLOUR		COMMERCIAL



**NOTES:**  
 1. PRODUCE USING MOULD OF CF PN 2125242-1, USING THERMAL FORMING TO OBTAIN A THICKNESS OF 0.080 ± 0.020.

NOTICE

THE DEPARTMENT OF NATIONAL DEFENCE DOES NOT WARRANT OR GUARANTEE THE CORRECTNESS OR ACCURACY OF THE INFORMATION CONTAINED IN THIS DOCUMENT FOR OTHER THAN OFFICIAL DEFENCE PURPOSES. THE DEPARTMENT OF NATIONAL DEFENCE DOES NOT GRANT ANY LICENCE. CONVEY ANY INTELLECTUAL PROPERTY RIGHTS, OR GIVE PERMISSION FOR ANY USE IN WHOLE OR IN PART BY ANY RECIPIENT, HOLDER OR USER OF THIS DOCUMENT, AND ANY SUCH PERSON USING THIS DOCUMENT FOR THE INFORMATION THEREIN DOES SO AT THEIR OWN RISK.

**NOTICE**  
 This documentation has been reviewed by the technical authority and does not contain controlled goods. Disclosure notices and handling instructions originally received with the document shall continue to apply.

**AVIS**  
 Cette documentation a été révisée par l'autorité technique et ne contient pas de marchandises contrôlées. Les avis de divulgation et les instructions de manipulation reçues originellement doivent continuer de s'appliquer.

UNLESS OTHERWISE SPECIFIED:  
 SAUF INDICATION CONTRAIRE:

1. DIMENSIONS ARE IN DIMENSIONS SONT EN	<b>INCHES</b>	2. TOLERANCES	
3. SURFACE FINISH FINIS DE SURFACES	✓	FRACTIONS	XXX: ± 0.005
4. SCALE ECHELLE	1:4	DECIMALS DECIMALES	XX: ± 0.03
		X: ± 0.1	
		ANGLES	: ± 0.5°

DRAWING INTERPRETATION INTERPRETER LE DESSIN PAR

APPLICATION / USAGE  
 2125225

-		TDAN 214271008		-		-		-	
ZONE	LTR LET	REVISION	DATE	DWN DES	CKD VER	APPL APP			
DND-CANADIAN ARMED FORCES ARMÉES CANADIENNES-MDN									
DESIGN AGENT / CONCEPTION		NSCM / CAOF		DRAWING DATE DU DESSIN		A1			
37473 / AOSF		36376		2021-11-15					
TITLE / TITRE						DRAWING NO. DU DESSIN			
<b>BOTTOM, INSERT</b>						<b>2125234</b>			
SHEET FEUILLE		1		OF DE		1			

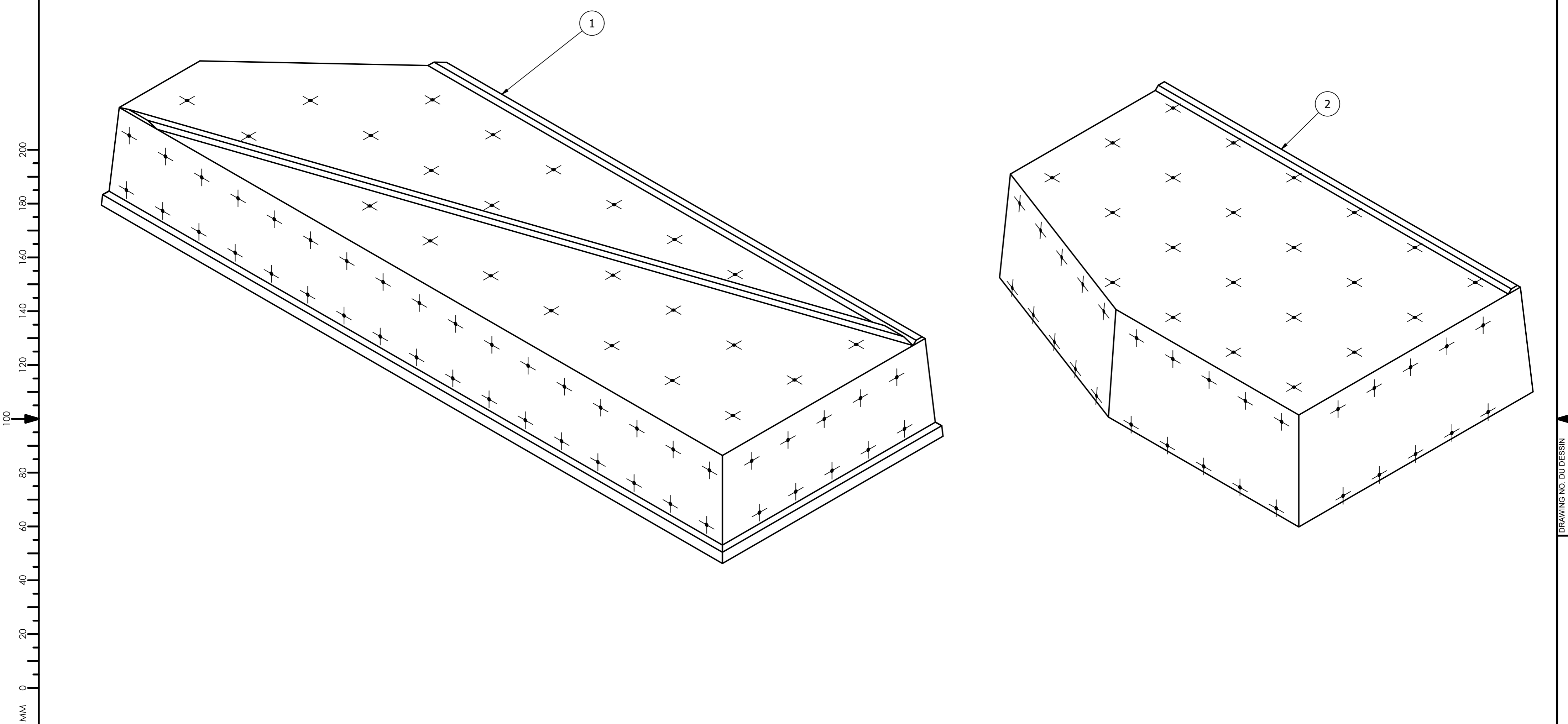


This documentation has been reviewed by the technical authority and does not contain controlled goods. Disclosure notices and handling instructions originally received with the document shall continue to apply.

AVIS

Cette documentation a été révisée par l'autorité technique et ne contient pas de marchandises contrôlées. Les avis de divulgation et les instructions de manutention reçues originalement doivent continuer de s'appliquer.

-1 /QTY	ITEM NO DE L'ART	IDENTIFYING NO D'IDENTIFICATION	NOMENCLATURE/DESCRIPTION	SPECIFICATION	CODE IDENT CODE D'IDENT
1	1	2125241-1	MOULD, TOP BAG		36376
1	2	2125242-1	MOULD, BOTTOM BAG		36376



SEE DATA LIST NO. DL-2125240-1

UNLESS OTHERWISE SPECIFIED/ SAUF INDICATION CONTRAIRE:	
1. DIMENSIONS ARE IN SONT DIMENSIONS EN	INCHES
2. TOLERANCES	
FRACTIONS	:±
DECIMALS	XXX: ±
DECIMALES	XX: ±
	X: ±
ANGLES	:±
3. SURFACE FINISH	
FINIS DE SURFACES	
INTERPRETATION/ INTERPRETER	CF STD D-01-400-001/SG-000 LEVEL/NIVEAU 2

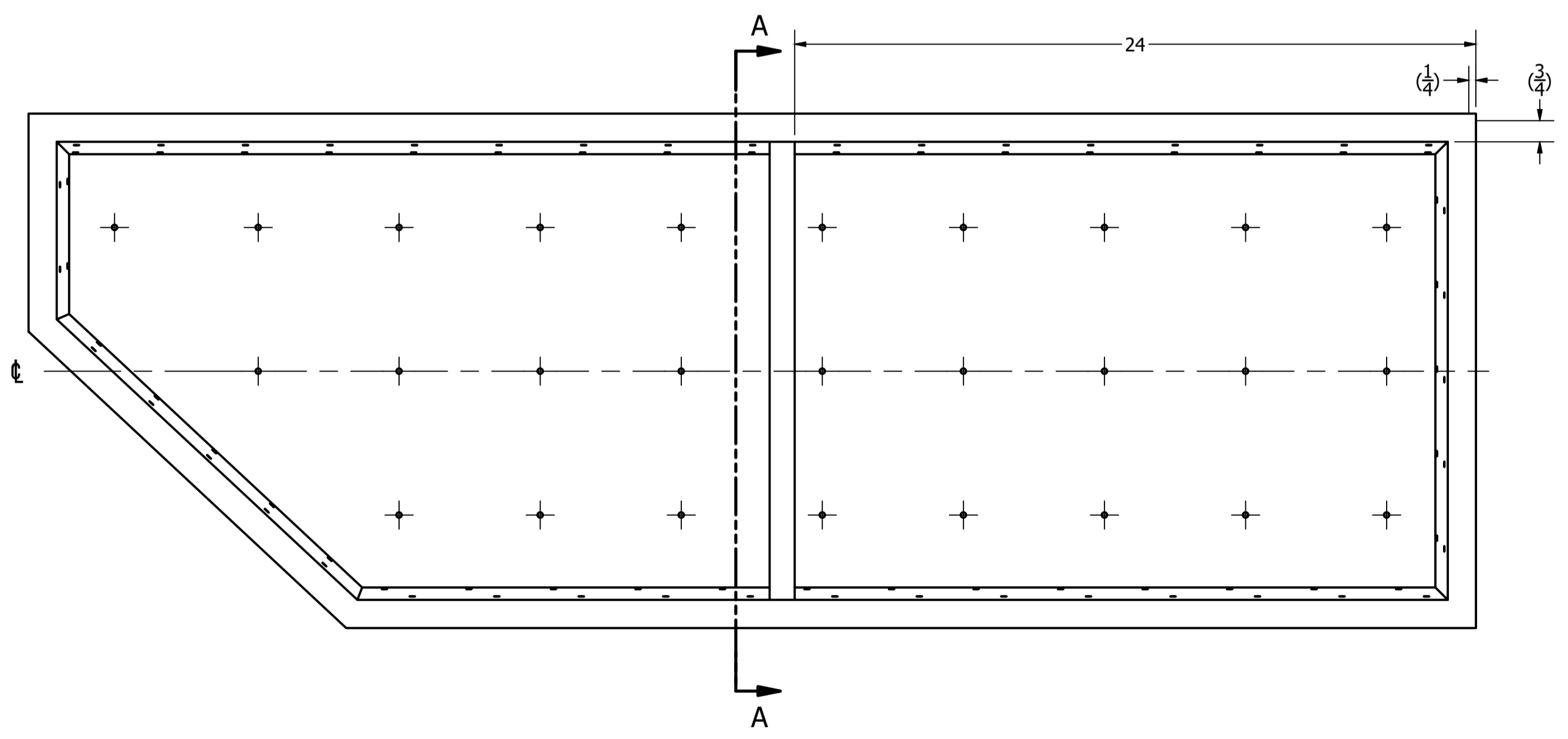
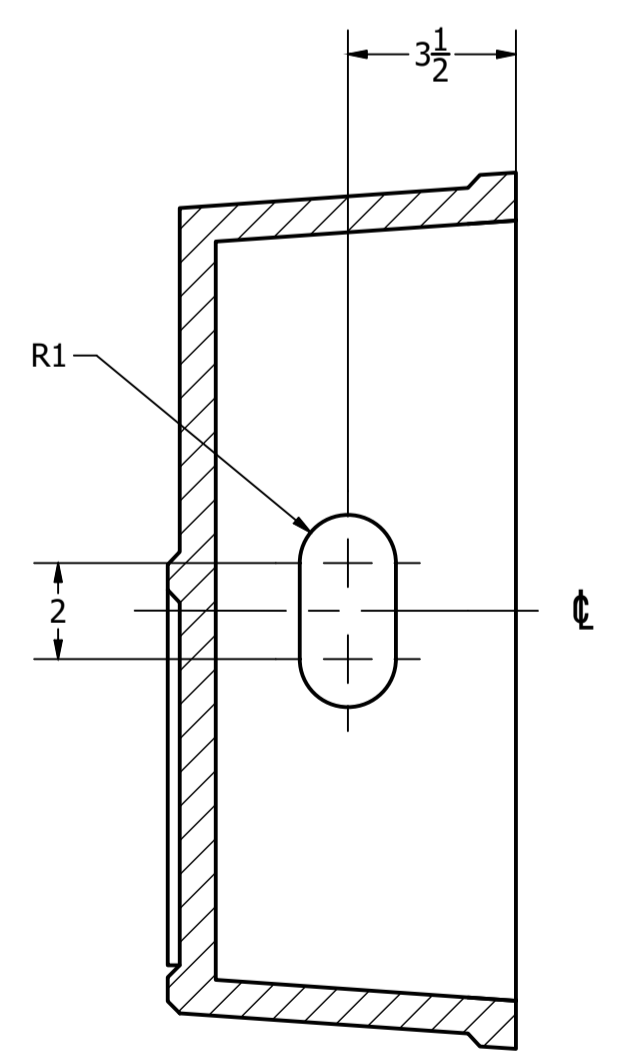
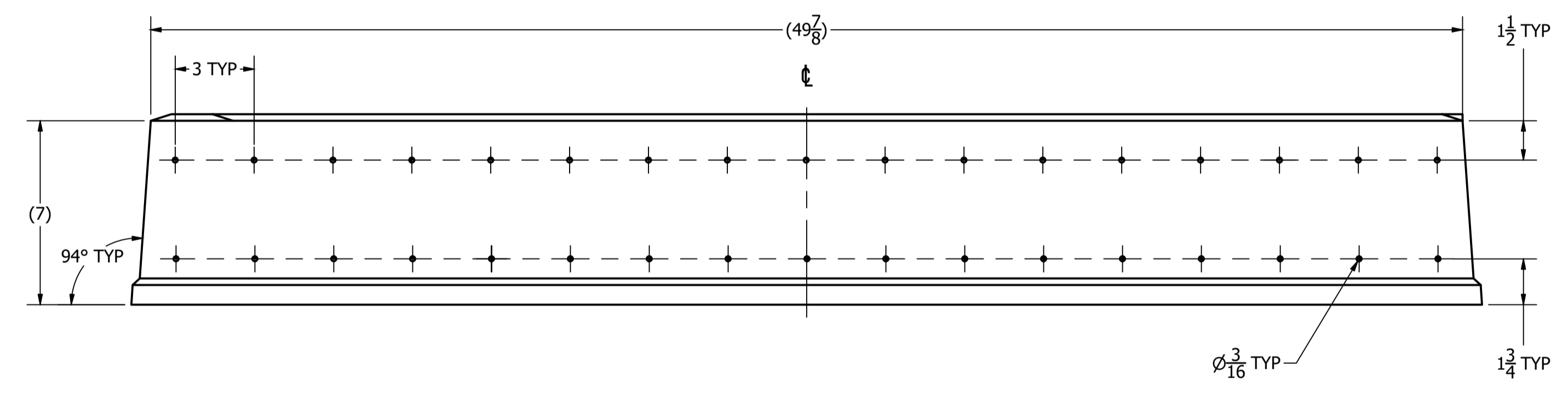
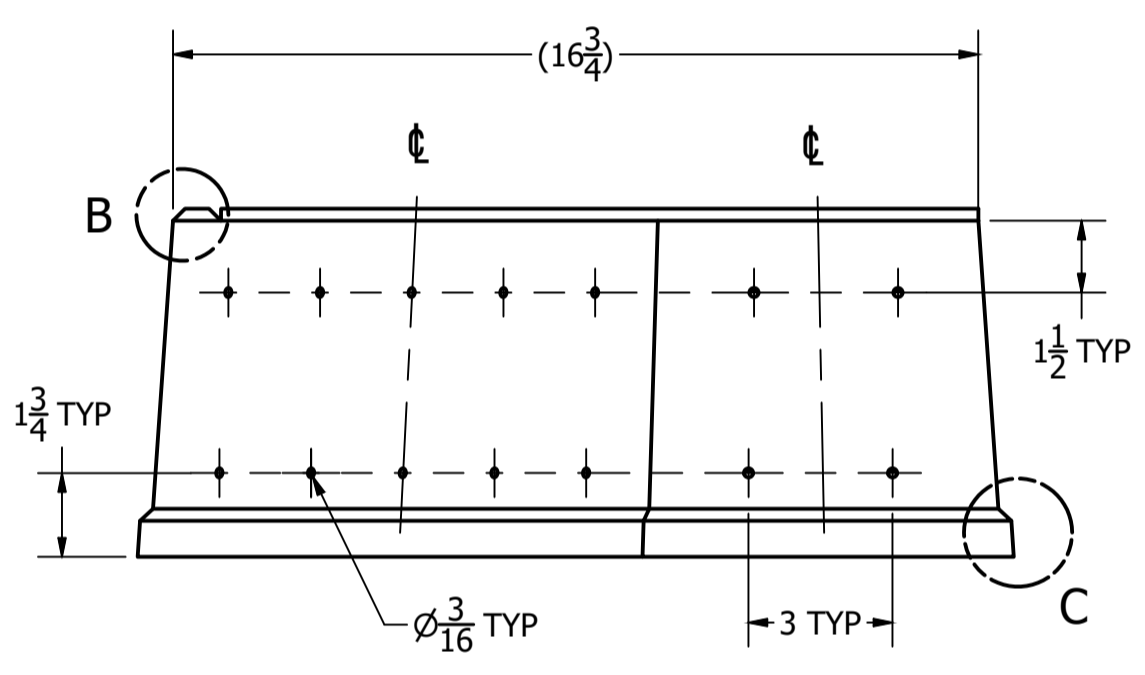
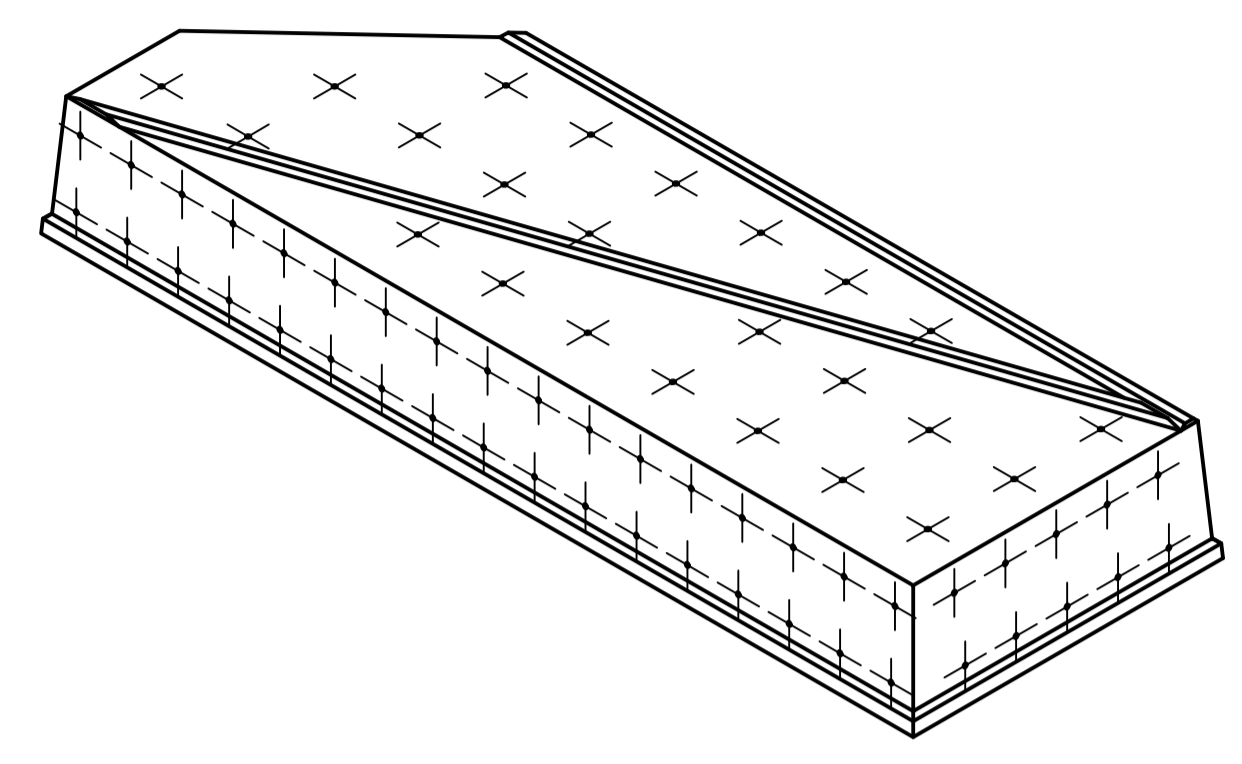
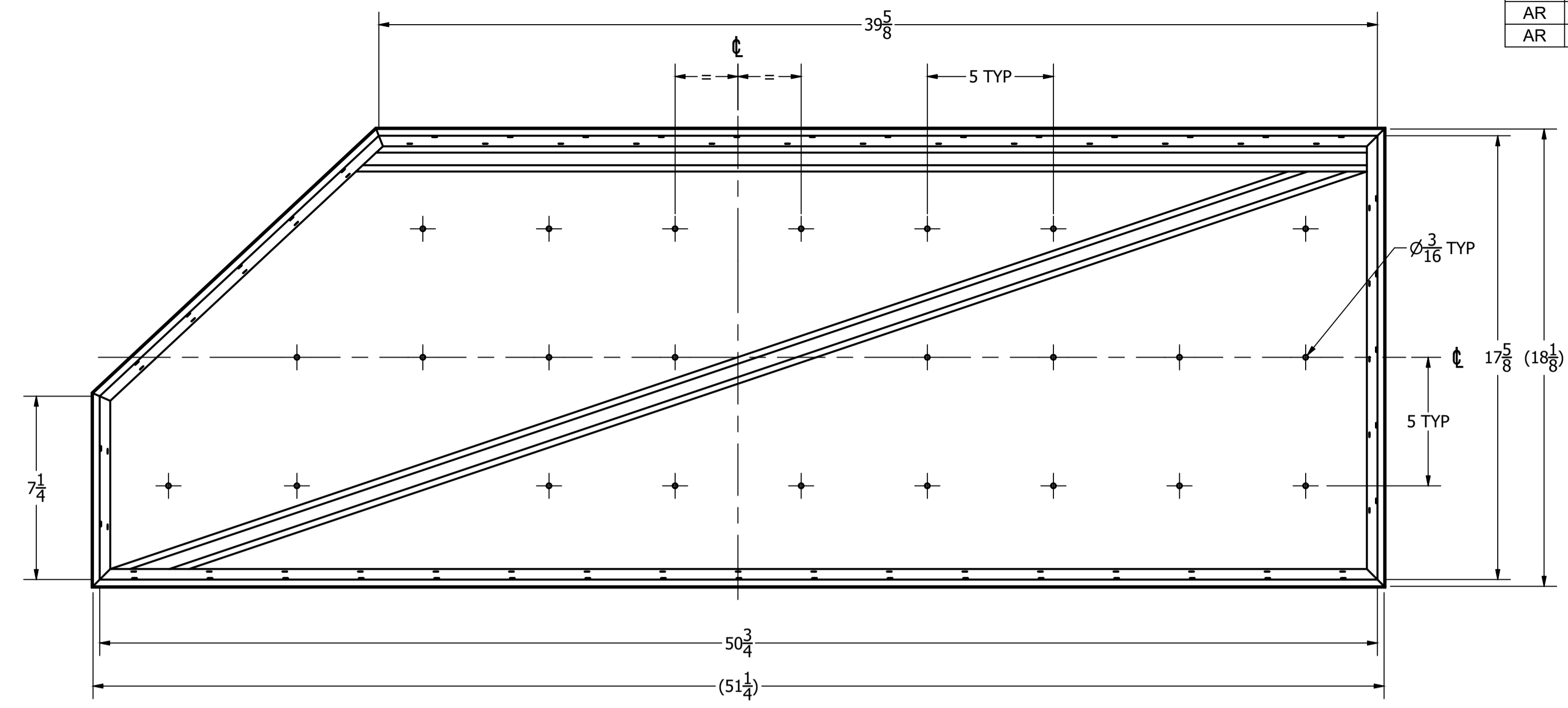
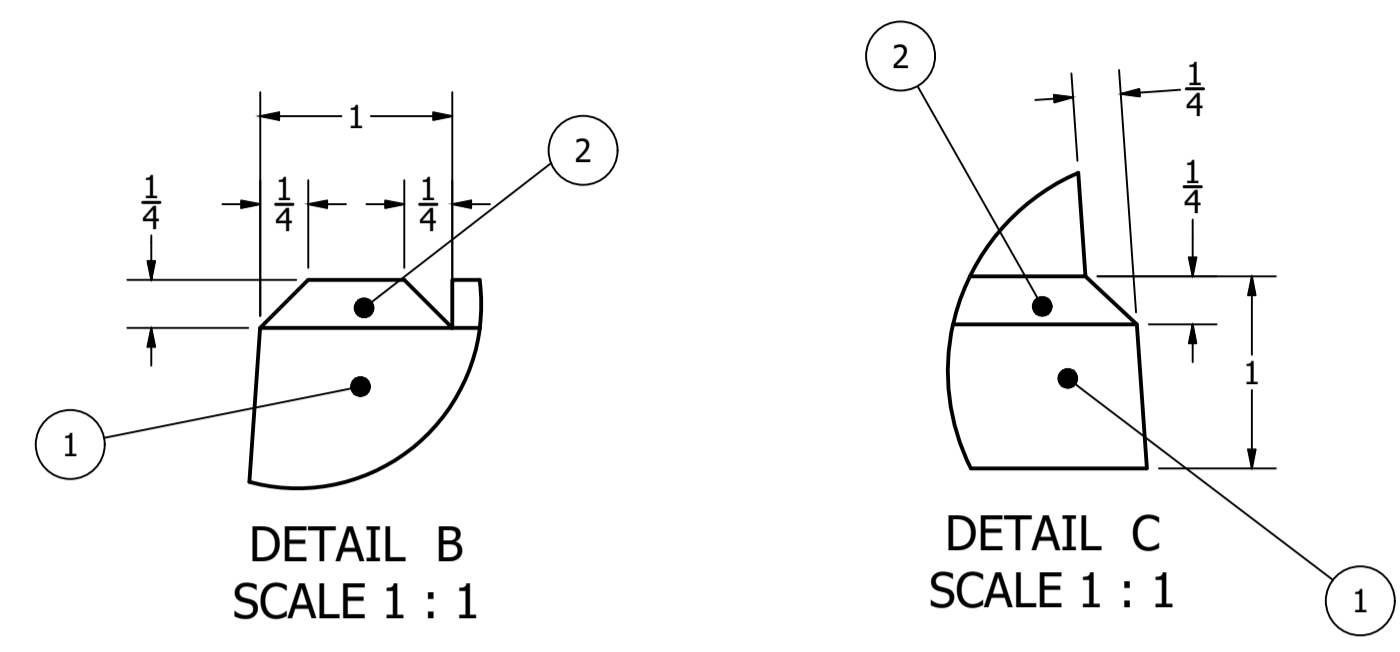
APPLICATION/USAGE	
SCALE/ ÉCHELLE	1 / 4

-		TDAN 214271008		-	-	-	-
ZONE	LTR LET	REVISION		DATE	DWN DES	CKD VER	APPVL APP
	National Defence	Défense nationale					
DESIGN AGENT/CONCEPTION		NCSM/CAOF		APPVL DATE D'APPROB		A2	
37473 / AOSF		36376		2021-11-15			
TITLE/TITRE				DRAWING NO DU DESSIN			
KIT, KYDEX MOULDS, GOVERNMENT FURNISHED EQUIPMENT, CH148 AC				2125240			
SHEET FEUILLE		1		OF DE		1	

NOTICE  
THE DEPARTMENT OF NATIONAL DEFENCE DOES NOT WARRANT OR GUARANTEE THE CORRECTNESS OR ACCURACY OF THE INFORMATION CONTAINED IN THIS DOCUMENT FOR OTHER THAN OFFICIAL DEFENCE PURPOSES. THE DEPARTMENT OF NATIONAL DEFENCE DOES NOT GRANT ANY LICENCE, CONVEY ANY INTELLECTUAL PROPERTY RIGHTS, OR GIVE PERMISSION FOR ANY USE IN WHOLE OR IN PART BY ANY RECIPIENT, HOLDER OR USER OF THIS DOCUMENT, AND ANY SUCH PERSON USING THIS DOCUMENT OR THE INFORMATION THEREIN DOES SO AT THEIR OWN RISK.

DRAWING NO. DU DESSIN  
2125240

-1 /QTY	ITEM NO DE L'ART	IDENTIFYING NO D'IDENTIFICATION	NOMENCLATURE/DESCRIPTION	SPECIFICATION	CODE IDENT CODE D'IDENT
AR	1		3/4" OAK VENEER PLYWOOD, G2S		
AR	2		1/4" OAK VENEER PLYWOOD, G2S		



- NOTES**
- TOLERANCES:  
LESS THAN 5 INCHES ± 1/16  
BETWEEN 5 INCHES AND 20 INCHES ± 1/8  
MORE THAN 20 INCHES ± 1/2
  - USE ITEM 2 FOR ALL RIDGES

NOTICE  
THE DEPARTMENT OF NATIONAL DEFENCE DOES NOT WARRANT OR GUARANTEE THE CORRECTNESS OR ACCURACY OF THE INFORMATION CONTAINED IN THIS DOCUMENT FOR OTHER THAN OFFICIAL DEFENCE PURPOSES. THE DEPARTMENT OF NATIONAL DEFENCE DOES NOT GRANT ANY LICENCE, CONVEY ANY INTELLECTUAL PROPERTY RIGHTS, OR GIVE PERMISSION FOR ANY USE IN WHOLE OR IN PART BY ANY RECIPIENT, HOLDER OR USER OF THIS DOCUMENT, AND ANY SUCH PERSON USING THIS DOCUMENT OR THE INFORMATION THEREIN DOES SO AT THEIR OWN RISK.



NOTICE  
This documentation has been reviewed by the technical authority and does not contain controlled goods. Disclosure notices and handling instructions originally received with the document shall continue to apply.

AVIS  
Cette documentation a été révisée par l'autorité technique et ne contient pas de marchandises contrôlées. Les avis de divulgation et les instructions de manutention reçues originellement doivent continuer de s'appliquer.

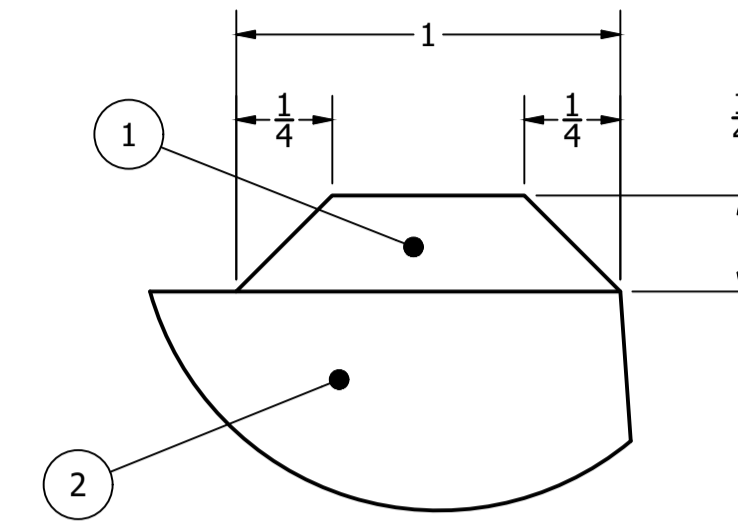
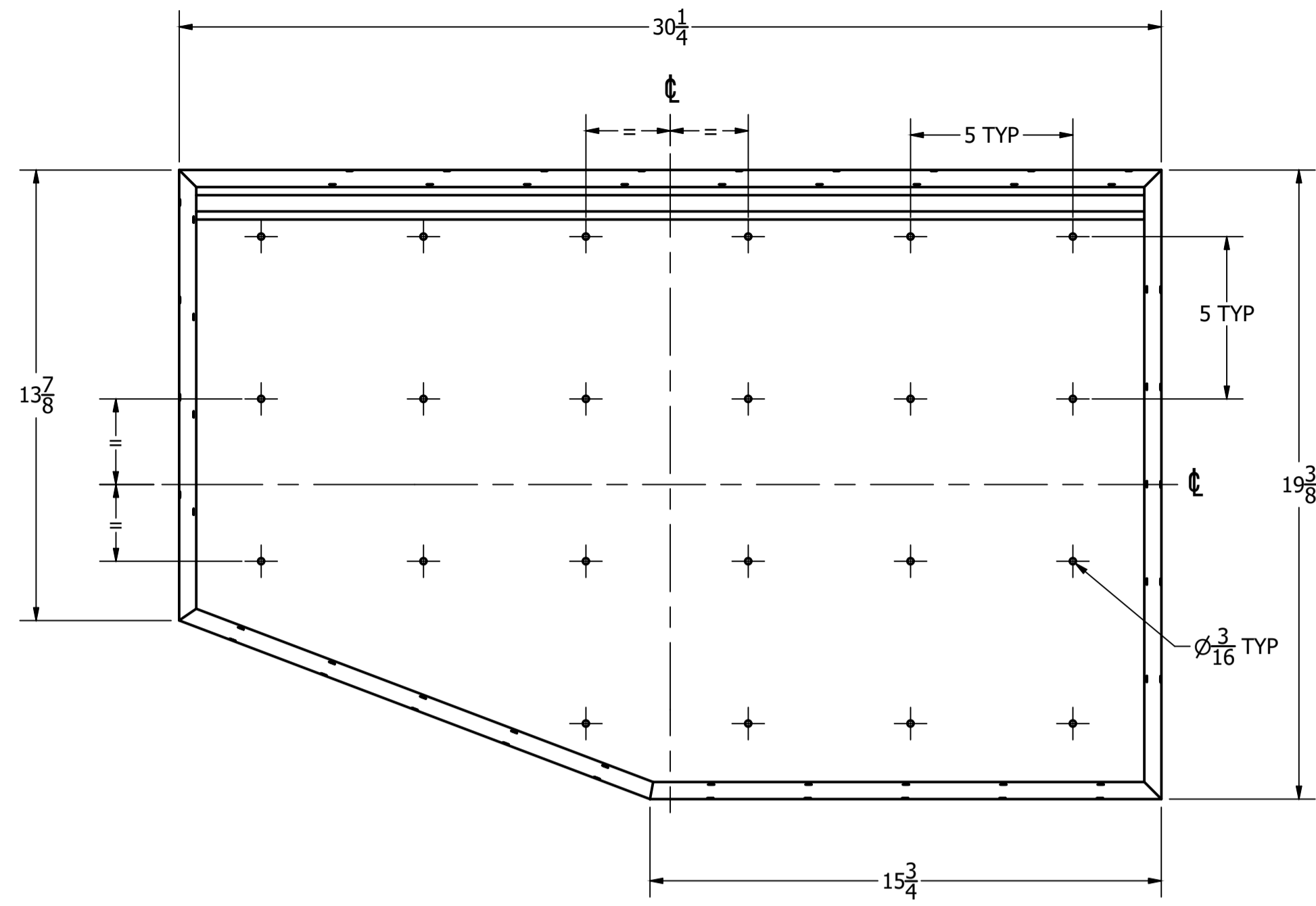
UNLESS OTHERWISE SPECIFIED/ SAUF INDICATION CONTRAIRE:	APPLICATION/USAGE 2125240
1. DIMENSIONS ARE IN / SONT DIMENSIONS EN INCHES	
2. TOLERANCES FRACTIONS DECIMALS DECIMALES ANGLES	SEE NOTE 1 : ± XXX: ± XX: ± X: ± : ±
3. SURFACE FINISH FINIS DE SURFACES	SCALE/ÉCHELLE 1 : 4
INTERPRETATION/ INTERPRETER	CF STD D-01-400-001/SG-000 LEVEL/NIVEAU 2

TDAN 214271008		REVISION	DATE	DWN DES	CKD VER	APPVL APP
ZONE	LTR LET					
National Defence / Défense nationale		Canada				
DESIGN AGENT/CONCEPTION	NCSM/CAOF	APPVL DATE D'APPROB	A1			
37473 / AOSF	36376	2021-11-15				
TITLE/TITRE		DRAWING NO DU DESSIN				
MOULD, TOP BAG		2125241				
SHEET FEUILLE	1	OF DE	1			

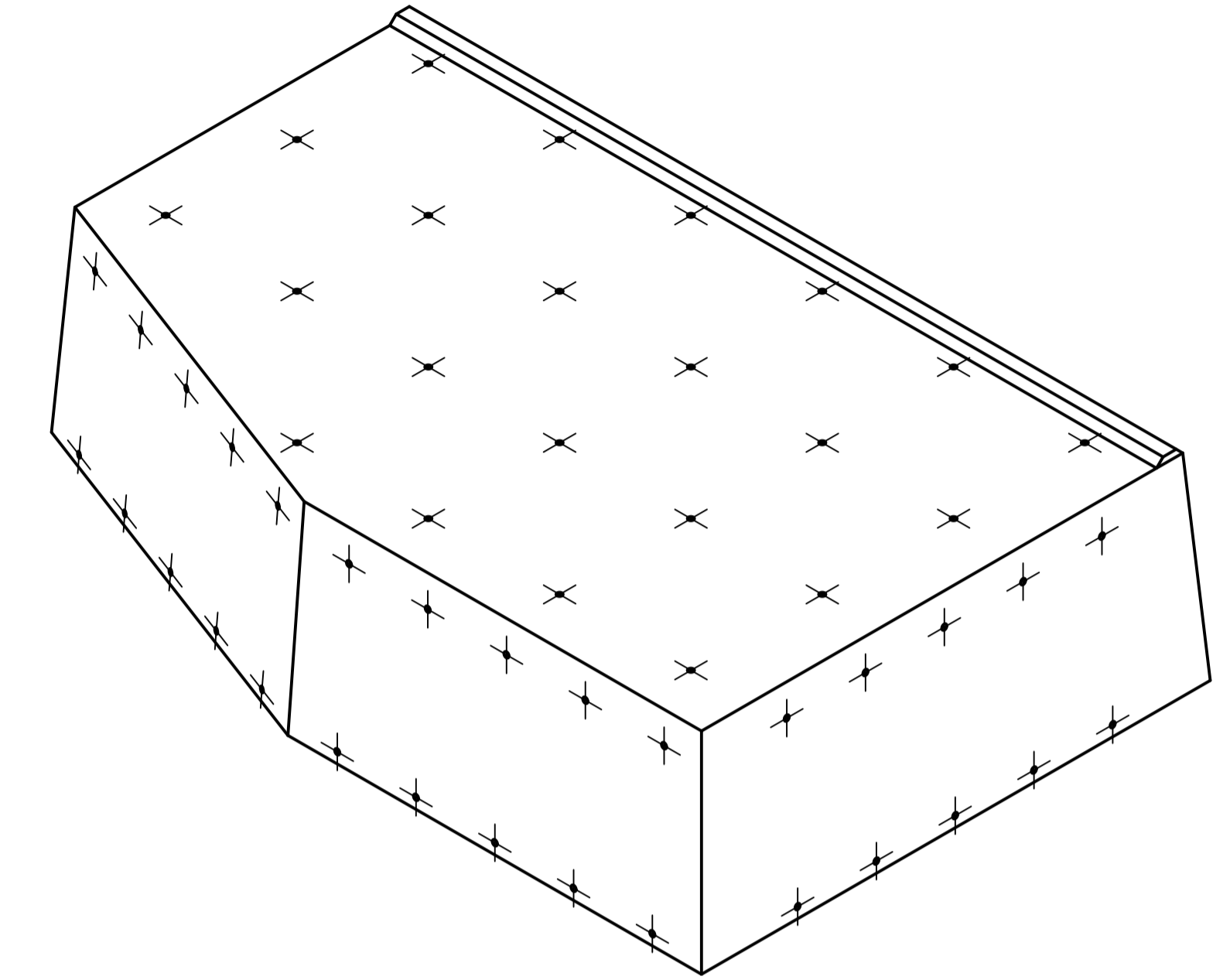
DRAWING NO. DU DESSIN  
2125241

A

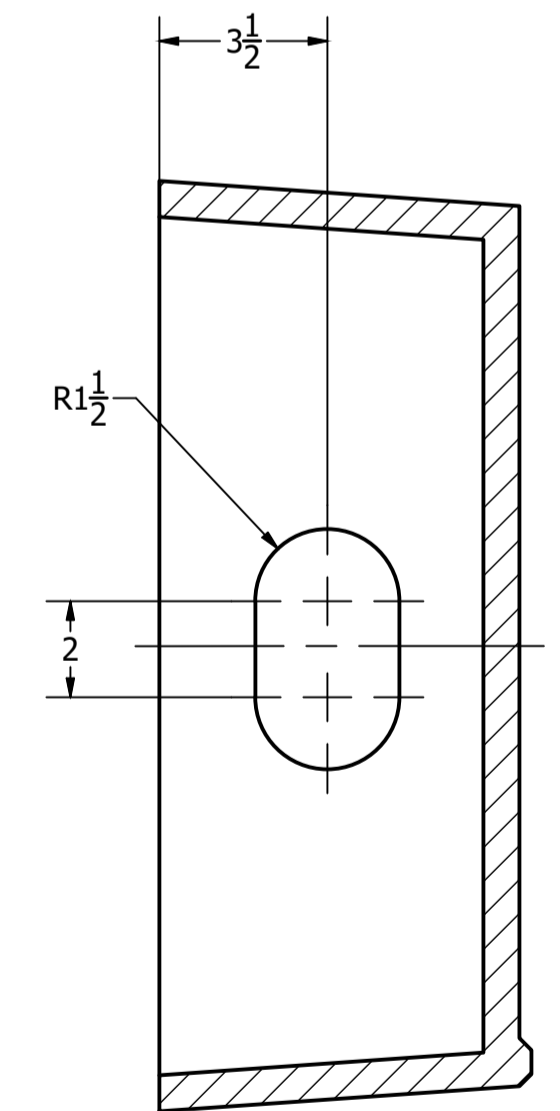
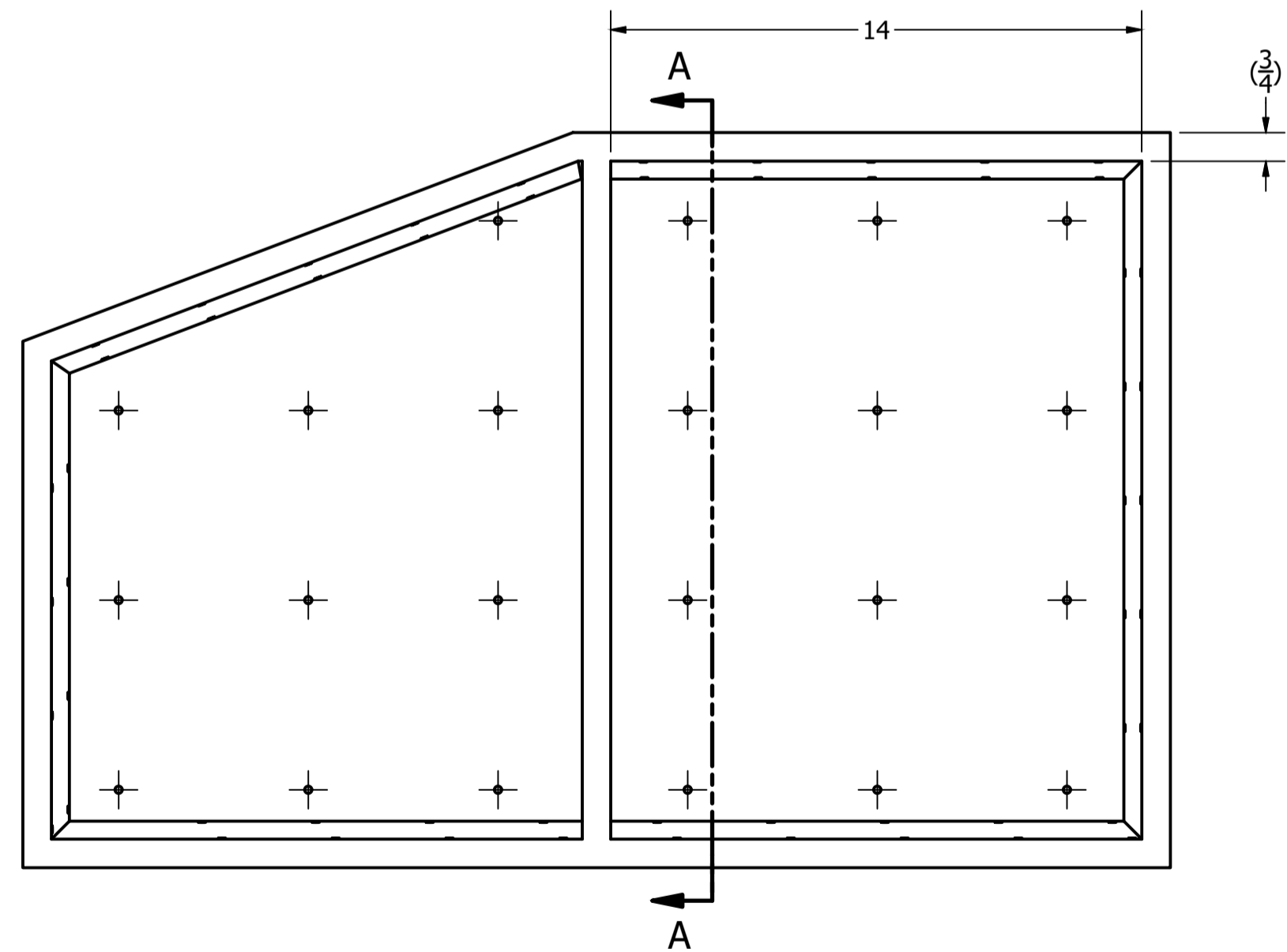
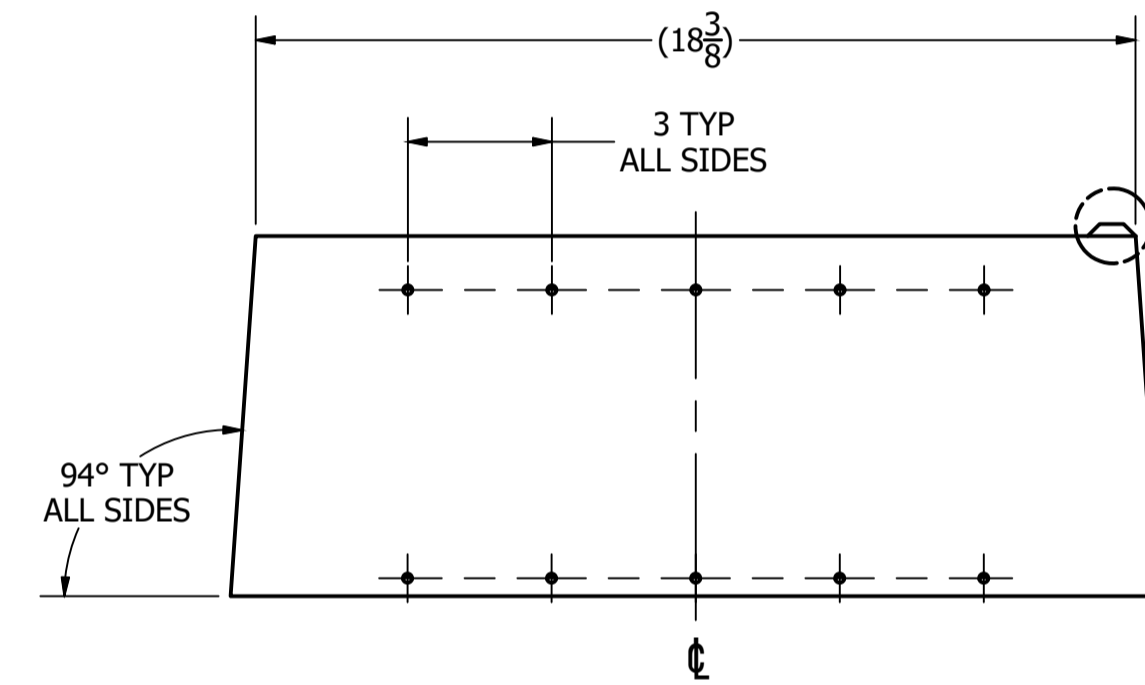
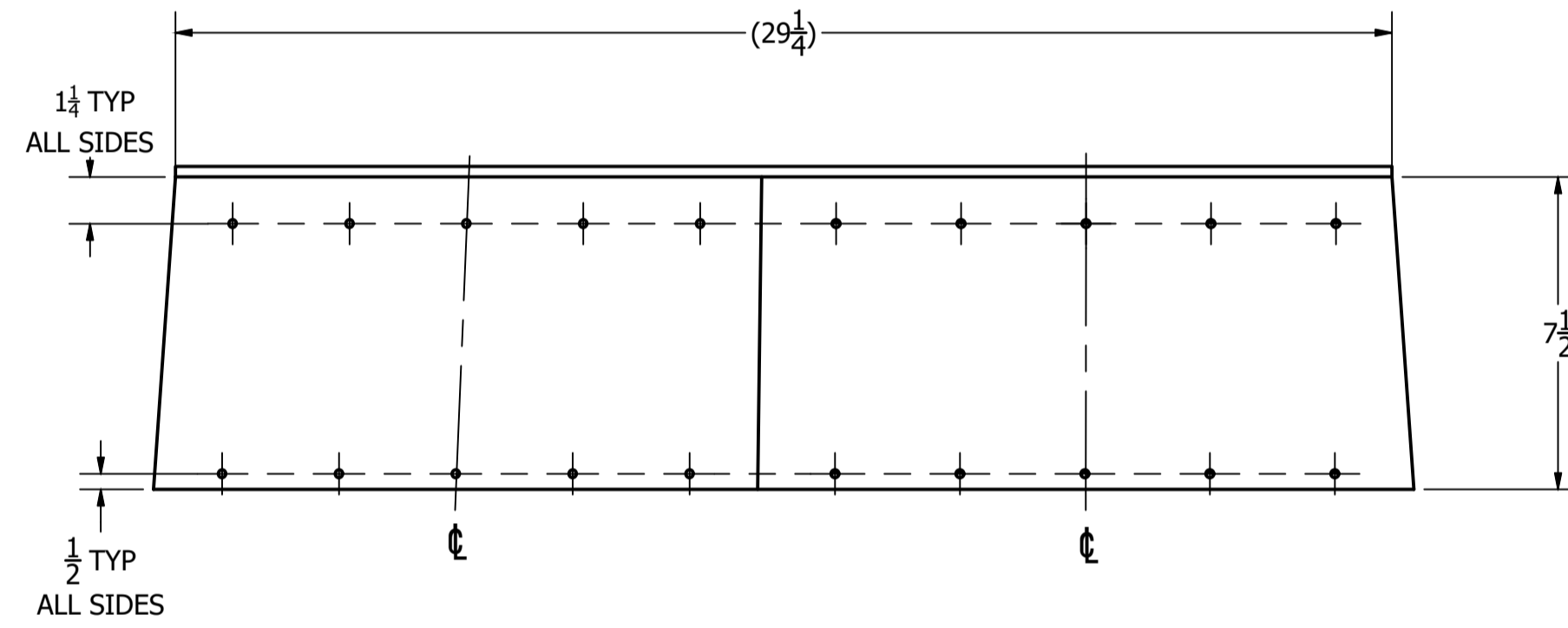
-1 /QTY	ITEM NO DE L'ART	IDENTIFYING NO D'IDENTIFICATION	NOMENCLATURE/DESCRIPTION	SPECIFICATION	CODE IDENT CODE D'IDENT
AR	1		3/4" OAK VENEER PLYWOOD, G2S		
AR	2		1/4" OAK VENEER PLYWOOD, G2S		



DETAIL B  
SCALE 2 : 1



SCALE 1 : 4



SECTION A-A

NOTES

- TOLERANCES:  
LESS THAN 2 INCHES ± 1/16  
BETWEEN 2 INCHES AND 10 INCHES ± 1/8  
MORE THAN 10 INCHES ± 1/4
- USE ITEM 2 FOR RIDGE CREATION

NOTICE

THE DEPARTMENT OF NATIONAL DEFENCE DOES NOT WARRANT OR GUARANTEE THE CORRECTNESS OR ACCURACY OF THE INFORMATION CONTAINED IN THIS DOCUMENT FOR OTHER THAN OFFICIAL DEFENCE PURPOSES. THE DEPARTMENT OF NATIONAL DEFENCE DOES NOT GRANT ANY LICENCE, CONVEY ANY INTELLECTUAL PROPERTY RIGHTS, OR GIVE PERMISSION FOR ANY USE IN WHOLE OR IN PART BY ANY RECIPIENT, HOLDER OR USER OF THIS DOCUMENT, AND ANY SUCH PERSON USING THIS DOCUMENT OR THE INFORMATION THEREIN DOES SO AT THEIR OWN RISK.

NOTICE

This documentation has been reviewed by the technical authority and does not contain controlled goods. Disclosure notices and handling instructions originally received with the document shall continue to apply.

AVIS

Cette documentation a été révisée par l'autorité technique et ne contient pas de marchandises contrôlées. Les avis de divulgation et les instructions de manutention reçues originellement doivent continuer de s'appliquer.



UNLESS OTHERWISE SPECIFIED/ SAUF INDICATION CONTRAIRE:		APPLICATION/USAGE
1. DIMENSIONS ARE IN / SONT DIMENSIONS EN INCHES		2125240
2. TOLERANCES		
FRACTIONS	: ±	SEE NOTE 1
DECIMALS	XX: ±	
DECIMALES	XX: ±	
ANGLES	X: ±	
	: ±	
3. SURFACE FINISH		
FINIS DE SURFACES		
INTERPRETATION/ INTERPRETER	CF STD D-01-400-001/SG-000	SCALE/ ÉCHELLE 1 : 4
	LEVEL/NIVEAU 2	

TDAN 214271008					
ZONE	LTR LET	REVISION	DATE	DWN DES	CKD VER
			2021-11-15		
DESIGN AGENT/CONCEPTION		NCSM/CAOF	APPVL DATE D'APPROB	APPVL APP	
37473 / AOSF		36376	2021-11-15	A1	
TITLE/TITRE			DRAWING NO DU DESSIN		
MOULD, BOTTOM BAG			2125242		
SHEET FEUILLE		1	OF DE	1	

DRAWING NO. DU DESSIN  
2125242

A

ANNEX B - SECURITY REQUIREMENTS CHECK LIST



Contract Number / Numéro du contrat <b>W8470-255036</b>
Security Classification / Classification de sécurité <b>UNCLASSIFIED</b>

**SECURITY REQUIREMENTS CHECK LIST (SRCL)  
LISTE DE VÉRIFICATION DES EXIGENCES RELATIVES À LA SÉCURITÉ (LVERS)**

**PART A - CONTRACT INFORMATION / PARTIE A - INFORMATION CONTRACTUELLE**

1. Originating Government Department or Organization Ministère ou organisme gouvernemental d'origine <b>National Defence</b>	2. Branch or Directorate / Direction générale ou Direction <b>ADM MAT DGAEPM PMO/MHP</b>
--	---

3. a) Subcontract Number / Numéro du contrat de sous-traitance	3. b) Name and Address of Subcontractor / Nom et adresse du sous-traitant
--	---

4. Brief Description of Work - Brève description du travail  
This non recurring requirement is to procure qty 34 GFE bag inserts for the CH-148 Maritime Cyclone helicopter. To be delivered to 12 AMS Shearwater.

5. a) Will the supplier require access to Controlled Goods? / Le fournisseur aura-t-il accès à des marchandises contrôlées?  No / Non  Yes / Oui

5. b) Will the supplier require access to unclassified military technical data subject to the provisions of the Technical Data Control Regulations? / Le fournisseur aura-t-il accès à des données techniques militaires non classifiées qui sont assujetties aux dispositions du Règlement sur le contrôle des données techniques?  No / Non  Yes / Oui

6. Indicate the type of access required - Indiquer le type d'accès requis

6. a) Will the supplier and its employees require access to PROTECTED and/or CLASSIFIED information or assets? / Le fournisseur ainsi que les employés auront-ils accès à des renseignements ou à des biens PROTÉGÉS et/ou CLASSIFIÉS? (Specify the level of access using the chart in Question 7. c) / Préciser le niveau d'accès en utilisant le tableau qui se trouve à la question 7. c)  No / Non  Yes / Oui

6. b) Will the supplier and its employees (e.g. cleaners, maintenance personnel) require access to restricted access areas? / No access to PROTECTED and/or CLASSIFIED information or assets is permitted. / Le fournisseur et ses employés (p.ex. nettoyeurs, personnel d'entretien) auront-ils accès à des zones d'accès restreintes? L'accès à des renseignements ou à des biens PROTÉGÉS et/ou CLASSIFIÉS n'est pas autorisé.  No / Non  Yes / Oui

6. c) Is this a commercial courier or delivery requirement with **no** overnight storage? / S'agit-il d'un contrat de messagerie ou de livraison commerciales **sans** entreposage de nuit?  No / Non  Yes / Oui

7. a) Indicate the type of information that the supplier will be required to access / Indiquer le type d'information auquel le fournisseur devra avoir accès

<b>Canada</b> <input checked="" type="checkbox"/>	<b>NATO / OTAN</b> <input type="checkbox"/>	<b>Foreign / Étranger</b> <input type="checkbox"/>
---	---	--

7. b) Release restrictions / Restrictions relatives à la diffusion

No release restrictions / Aucune restriction relative à la diffusion <input checked="" type="checkbox"/>  Not releasable / À ne pas diffuser <input type="checkbox"/>  Restricted to: / Limité à : <input type="checkbox"/> Specify country(ies): / Préciser le(s) pays :	All NATO countries / Tous les pays de l'OTAN <input type="checkbox"/>    Restricted to: / Limité à : <input type="checkbox"/> Specify country(ies): / Préciser le(s) pays :	No release restrictions / Aucune restriction relative à la diffusion <input type="checkbox"/>    Restricted to: / Limité à : <input type="checkbox"/> Specify country(ies): / Préciser le(s) pays :
--	--	--

7. c) Level of information / Niveau d'information

PROTECTED A / PROTÉGÉ A <input type="checkbox"/> PROTECTED B / PROTÉGÉ B <input type="checkbox"/> PROTECTED C / PROTÉGÉ C <input type="checkbox"/> CONFIDENTIAL / CONFIDENTIEL <input type="checkbox"/> SECRET / SECRET <input type="checkbox"/> TOP SECRET / TRÈS SECRET <input type="checkbox"/> TOP SECRET (SIGINT) / TRÈS SECRET (SIGINT) <input type="checkbox"/>	NATO UNCLASSIFIED / NATO NON CLASSIFIÉ <input type="checkbox"/> NATO RESTRICTED / NATO DIFFUSION RESTREINTE <input type="checkbox"/> NATO CONFIDENTIAL / NATO CONFIDENTIEL <input type="checkbox"/> NATO SECRET / NATO SECRET <input type="checkbox"/> COSMIC TOP SECRET / COSMIC TRÈS SECRET <input type="checkbox"/>	PROTECTED A / PROTÉGÉ A <input type="checkbox"/> PROTECTED B / PROTÉGÉ B <input type="checkbox"/> PROTECTED C / PROTÉGÉ C <input type="checkbox"/> CONFIDENTIAL / CONFIDENTIEL <input type="checkbox"/> SECRET / SECRET <input type="checkbox"/> TOP SECRET / TRÈS SECRET <input type="checkbox"/> TOP SECRET (SIGINT) / TRÈS SECRET (SIGINT) <input type="checkbox"/>
--	--	--

Security Classification / Classification de sécurité <b>UNCLASSIFIED</b>
---



Contract Number / Numéro du contrat W8470-255036
Security Classification / Classification de sécurité UNCLASSIFIED

**PART A (continued) / PARTIE A (suite)**

8. Will the supplier require access to PROTECTED and/or CLASSIFIED COMSEC information or assets?  
Le fournisseur aura-t-il accès à des renseignements ou à des biens COMSEC désignés PROTÉGÉS et/ou CLASSIFIÉS?  
If Yes, indicate the level of sensitivity:  
Dans l'affirmative, indiquer le niveau de sensibilité :  No / Non  Yes / Oui

---

9. Will the supplier require access to extremely sensitive INFOSEC information or assets:  
Le fournisseur aura-t-il accès à des renseignements ou à des biens INFOSEC de nature extrêmement délicate?  No / Non  Yes / Oui

Short Title(s) of material / Titre(s) abrégé(s) du matériel : \_\_\_\_\_

Document Number / Numéro du document : \_\_\_\_\_

**PART B - PERSONNEL (SUPPLIER) / PARTIE B - PERSONNEL (FOURNISSEUR)**

10. a) Personnel security screening level required / Niveau de contrôle de la sécurité du personnel requis

<input type="checkbox"/> RELIABILITY STATUS COTE DE FIABILITÉ	<input type="checkbox"/> CONFIDENTIAL CONFIDENTIEL	<input type="checkbox"/> SECRET SECRET	<input type="checkbox"/> TOP SECRET TRÈS SECRET
<input type="checkbox"/> TOP SECRET - SIGINT TRÈS SECRET - SIGINT	<input type="checkbox"/> NATO CONFIDENTIAL NATO CONFIDENTIEL	<input type="checkbox"/> NATO SECRET NATO SECRET	<input type="checkbox"/> COSMIC TOP SECRET COSMIC TRÈS SECRET
<input type="checkbox"/> SITE ACCESS ACCÈS AUX EMPLACEMENTS			

Special comments:  
Commentaires spéciaux : \_\_\_\_\_

NOTE: If multiple levels of screening are identified, a Security Classification Guide must be provided.  
REMARQUE : Si plusieurs niveaux de contrôle de sécurité sont requis, un guide de classification de la sécurité doit être fourni.

---

10. b) May unscreened personnel be used for portions of the work?  
Du personnel sans autorisation sécuritaire peut-il se voir confier des parties du travail?  No / Non  Yes / Oui

If Yes, will unscreened personnel be escorted:  
Dans l'affirmative, le personnel en question sera-t-il escorté?  No / Non  Yes / Oui

**PART C - SAFEGUARDS (SUPPLIER) / PARTIE C - MESURES DE PROTECTION (FOURNISSEUR)**

**INFORMATION / ASSETS / RENSEIGNEMENTS / BIENS**

11. a) Will the supplier be required to receive and store PROTECTED and/or CLASSIFIED information or assets on its site or premises?  
Le fournisseur sera-t-il tenu de recevoir et d'entreposer sur place des renseignements ou des biens PROTÉGÉS et/ou CLASSIFIÉS?  No / Non  Yes / Oui

11. b) Will the supplier be required to safeguard COMSEC information or assets?  
Le fournisseur sera-t-il tenu de protéger des renseignements ou des biens COMSEC?  No / Non  Yes / Oui

**PRODUCTION**

11. c) Will the production (manufacture, and/or repair and/or modification) of PROTECTED and/or CLASSIFIED material or equipment occur at the supplier's site or premises?  
Les installations du fournisseur serviront-elles à la production (fabrication et/ou réparation et/ou modification) de matériel PROTÉGÉ et/ou CLASSIFIÉ?  No / Non  Yes / Oui

**INFORMATION TECHNOLOGY (IT) MEDIA / SUPPORT RELATIF À LA TECHNOLOGIE DE L'INFORMATION (TI)**

11. d) Will the supplier be required to use its IT systems to electronically process, produce or store PROTECTED and/or CLASSIFIED information or data?  
Le fournisseur sera-t-il tenu d'utiliser ses propres systèmes informatiques pour traiter, produire ou stocker électroniquement des renseignements ou des données PROTÉGÉS et/ou CLASSIFIÉS?  No / Non  Yes / Oui

11. e) Will there be an electronic link between the supplier's IT systems and the government department or agency?  
Disposera-t-on d'un lien électronique entre le système informatique du fournisseur et celui du ministère ou de l'agence gouvernementale?  No / Non  Yes / Oui

Security Classification / Classification de sécurité UNCLASSIFIED
--

**PART C (continued) / PARTIE C (suite)**

For users completing the form **manually** use the summary chart below to indicate the category(ies) and level(s) of safeguarding required at the supplier's site(s) or premises.  
 Les utilisateurs qui remplissent le formulaire **manuellement** doivent utiliser le tableau récapitulatif ci-dessous pour indiquer, pour chaque catégorie, les niveaux de sauvegarde requis aux installations du fournisseur.

For users completing the form online (via the Internet), the summary chart is automatically populated by your responses to previous questions.  
 Dans le cas des utilisateurs qui remplissent le formulaire en ligne (par Internet), les réponses aux questions précédentes sont automatiquement saisies dans le tableau récapitulatif.

**SUMMARY CHART / TABLEAU RÉCAPITULATIF**

Category Catégorie	PROTECTED PROTÉGÉ			CLASSIFIED CLASSIFIÉ			NATO				COMSEC					
	A	B	C	Confidential Confidentiel	Secret	Top Secret Très Secret	NATO Restricted NATO Diffusion Restreinte	NATO Confidential	NATO Secret	COSMIC Top Secret COSMIC Très Secret	Protected Protégé			Confidential Confidentiel	Secret	Top Secret Très Secret
											A	B	C			
Information / Assets Renseignements / Biens	<input type="checkbox"/>	<input type="checkbox"/>	<input type="checkbox"/>	<input type="checkbox"/>	<input type="checkbox"/>	<input type="checkbox"/>	<input type="checkbox"/>	<input type="checkbox"/>	<input type="checkbox"/>	<input type="checkbox"/>	<input type="checkbox"/>	<input type="checkbox"/>	<input type="checkbox"/>	<input type="checkbox"/>	<input type="checkbox"/>	<input type="checkbox"/>
Production	<input type="checkbox"/>	<input type="checkbox"/>	<input type="checkbox"/>	<input type="checkbox"/>	<input type="checkbox"/>	<input type="checkbox"/>	<input type="checkbox"/>	<input type="checkbox"/>	<input type="checkbox"/>	<input type="checkbox"/>	<input type="checkbox"/>	<input type="checkbox"/>	<input type="checkbox"/>	<input type="checkbox"/>	<input type="checkbox"/>	<input type="checkbox"/>
IT Media Support TI	<input type="checkbox"/>	<input type="checkbox"/>	<input type="checkbox"/>	<input type="checkbox"/>	<input type="checkbox"/>	<input type="checkbox"/>	<input type="checkbox"/>	<input type="checkbox"/>	<input type="checkbox"/>	<input type="checkbox"/>	<input type="checkbox"/>	<input type="checkbox"/>	<input type="checkbox"/>	<input type="checkbox"/>	<input type="checkbox"/>	<input type="checkbox"/>
IT Link Lien électronique	<input type="checkbox"/>	<input type="checkbox"/>	<input type="checkbox"/>	<input type="checkbox"/>	<input type="checkbox"/>	<input type="checkbox"/>	<input type="checkbox"/>	<input type="checkbox"/>	<input type="checkbox"/>	<input type="checkbox"/>	<input type="checkbox"/>	<input type="checkbox"/>	<input type="checkbox"/>	<input type="checkbox"/>	<input type="checkbox"/>	<input type="checkbox"/>

12. a) Is the description of the work contained within this SRCL PROTECTED and/or CLASSIFIED?  
 La description du travail visé par la présente LVERS est-elle de nature PROTÉGÉ et/ou CLASSIFIÉE?  No / Non  Yes / Oui

**If Yes, classify this form by annotating the top and bottom in the area entitled "Security Classification".  
 Dans l'affirmative, classifiez le présent formulaire en indiquant le niveau de sécurité dans la case intitulée.**

12. b) Will the document attached to this SRCL be PROTECTED and/or CLASSIFIED?  
 La documentation associée à la présente LVERS sera-t-elle PROTÉGÉE et/ou CLASSIFIÉE?  No / Non  Yes / Oui

**If Yes, classify this form by annotating the top and bottom in the area entitled "Security Classification" and indicate with attachments (e.g. SECRET with Attachments).  
 Dans l'affirmative, classifiez le présent formulaire en indiquant le niveau de sécurité dans la case intitulée « Classification de sécurité » au haut et au bas du formulaire et indiquer qu'il y a des pièces jointes (p. ex. SECRET avec des pièces jointes).**

Contract Number / Numéro du contrat <b>W8470-255036</b>
Security Classification / Classification de sécurité <b>UNCLASSIFIED</b>

**PART D - AUTHORIZATION / PARTIE D - AUTORISATION**

13. Organization Project Authority / Chargé de projet de l'organisme			
Name (print) - Nom (en lettres moulées) <b>William Brown</b>	Title - Titre <b>Captain</b>	Signature <b>BROWN, WILLIAM 227</b>	Digitally signed by BROWN, WILLIAM 227 Date: 2024.05.02 14:47:09 -04'00'

Telephone no. - N° de téléphone	Facsimile - Télécopieur	E-mail address - Adresse courriel <b>William.Brown2@forces.gc.ca</b>	Date
---------------------------------	-------------------------	---	------

14. Organization Security Authority / Responsable de la sécurité de l'organisme			
Name (print) - Nom (en lettres moulées)	Title - Titre	Signature	

Telephone no. - N° de téléphone	Facsimile - Télécopieur	E-mail address - Adresse courriel	Date
---------------------------------	-------------------------	-----------------------------------	------

15. Are there additional instructions (e.g. Security Guide, Security Classification Guide) attached? Des instructions supplémentaires (p. ex. Guide de sécurité, Guide de classification de la sécurité) sont-elles jointes?			<input type="checkbox"/> No / Non	<input type="checkbox"/> Yes / Oui
---	--	--	-----------------------------------	------------------------------------

16. Procurement Officer / Agent d'approvisionnement			
Name (print) - Nom (en lettres moulées) <b>Taha Siddiqui</b>	Title - Titre <b>A/DAP 9-5-3</b>	Signature <b>SIDDIQUI, TAHA 845</b>	Digitally signed by SIDDIQUI, TAHA 845 Date: 2024.05.02 14:51:37 -04'00'

Telephone no. - N° de téléphone	Facsimile - Télécopieur	E-mail address - Adresse courriel <b>Taha.Siddiqui@forces.gc.ca</b>	Date
---------------------------------	-------------------------	--	------

17. Contracting Security Authority / Autorisé contractante en matière de sécurité			
Name (print) - Nom (en lettres moulées)	Title - Titre	Signature	

Telephone no. - N° de téléphone	Facsimile - Télécopieur	E-mail address - Adresse courriel	Date
---------------------------------	-------------------------	-----------------------------------	------



**ANNEX C - BASIS OF PAYMENT**

**Initial Contract – Firm Unit Price**

The Contractor must manufacture and deliver qty 34 GFE Bag inserts in accordance with Annex A – Statement of Requirement and attachment 1 to part 4 of the mandatory technical criteria.

All costs to be firm combined unit prices in Canadian dollars, Delivery at place (DAP), including Canadian Custom Duties and Excise Taxes included where applicable, and applicable taxes are extra.

<b>Deliverable</b>	<b>Firm Price Tax Excluded (CAD \$)</b>	<b>Due Date</b>	<b>Delivery Address</b>
<b>Material</b>	\$.....	Within 5 months of contract award	12 AMS Shearwater, Admiral Falls Center, Hangar 343 Magnificent Ave, Dartmouth NS, B0J- 3A0.
<b>Shipping</b>	\$.....		