

AMENDEMENT 002

OBJECTIVE:

The purpose of this amendment is to

1. Extend the solicitation closing date.
2. Answer the supplier's question.

1.1 Remove the closing date of the invitation:

2024-05-17

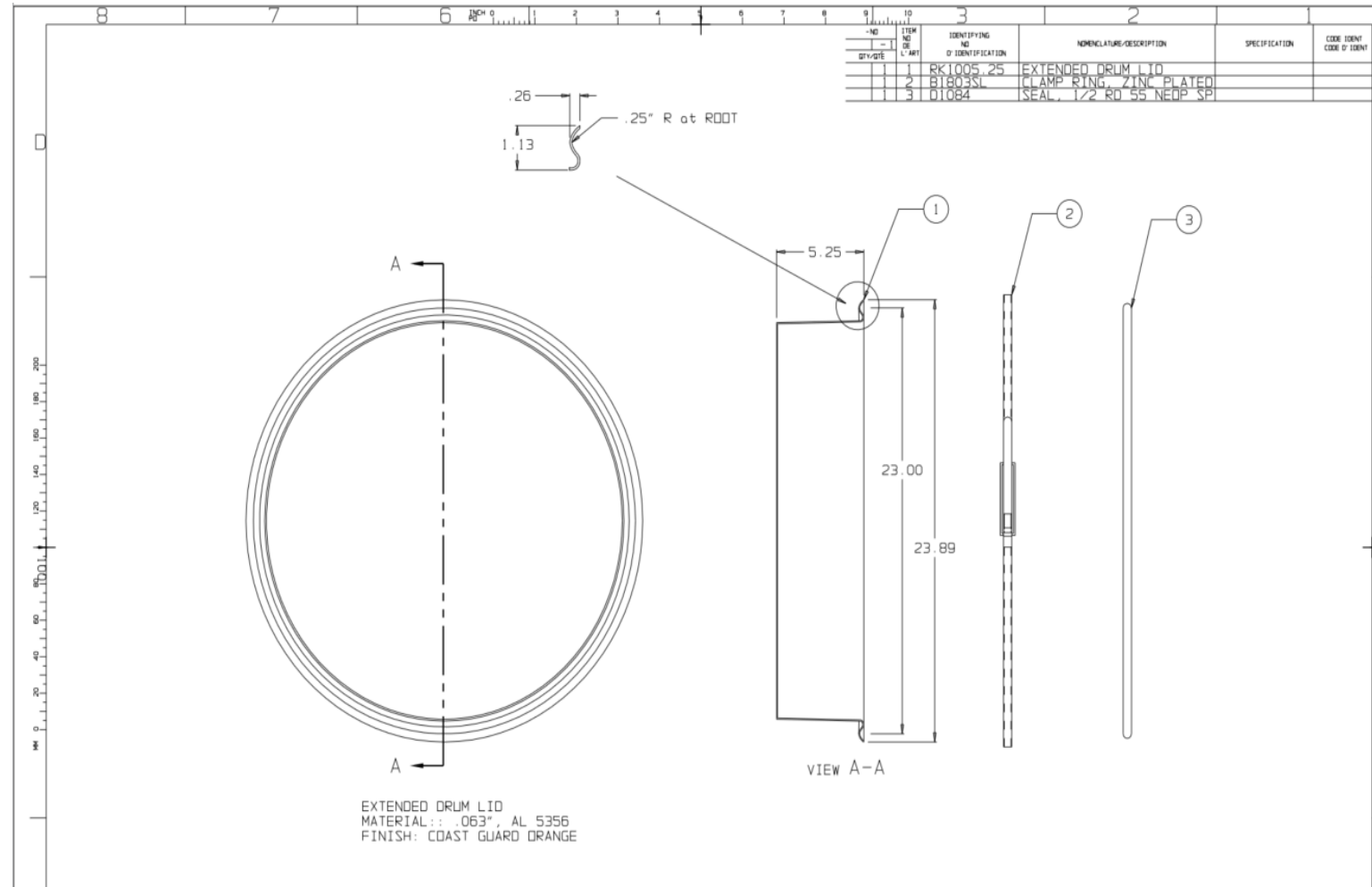
1.2 Insert the closing date of the invitation:

05 June 2024

2.1

Question from the seller:

With respect to the solicitation in the subject line, we would like to have more clarification on the requirement as the NCAGE holder is no longer active. Can you share more description according to drawings/pictures and technical details?



Tous les autres termes et conditions restent inchangés.