



Public Works And
Government
Services Canada
Western Region

Travaux publics et
Services gouvernementaux
Canada
Région de l'Ouest

for

pour

Parks Canada

Parcs Canada

Jasper National Park

As Constructed
POBOKTAN CREEK BRIDGE
DECK REHABILITATION km 157.74

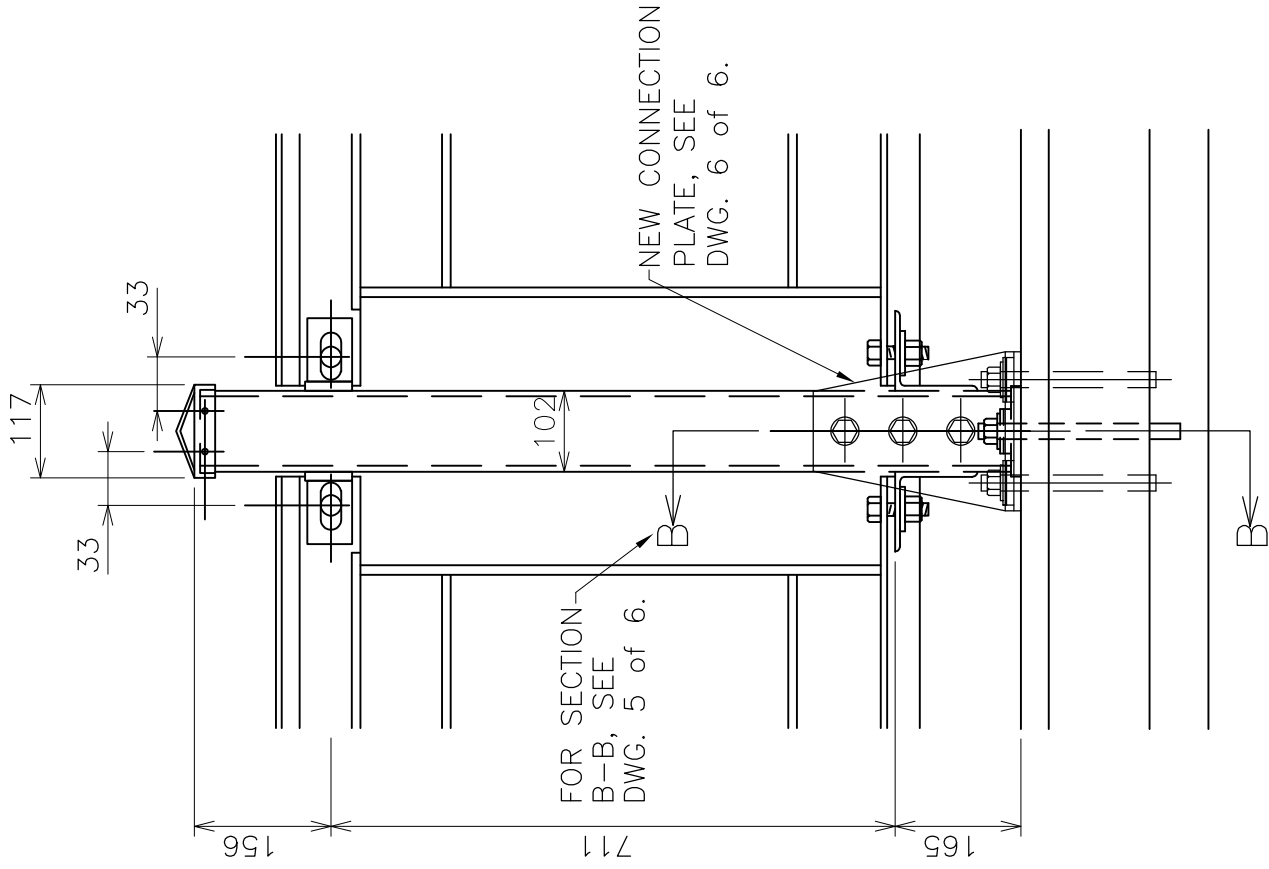
ICEFIELD PARKWAY

(Hwy. No. 93-North, Alberta)

PROJECT No. 668526

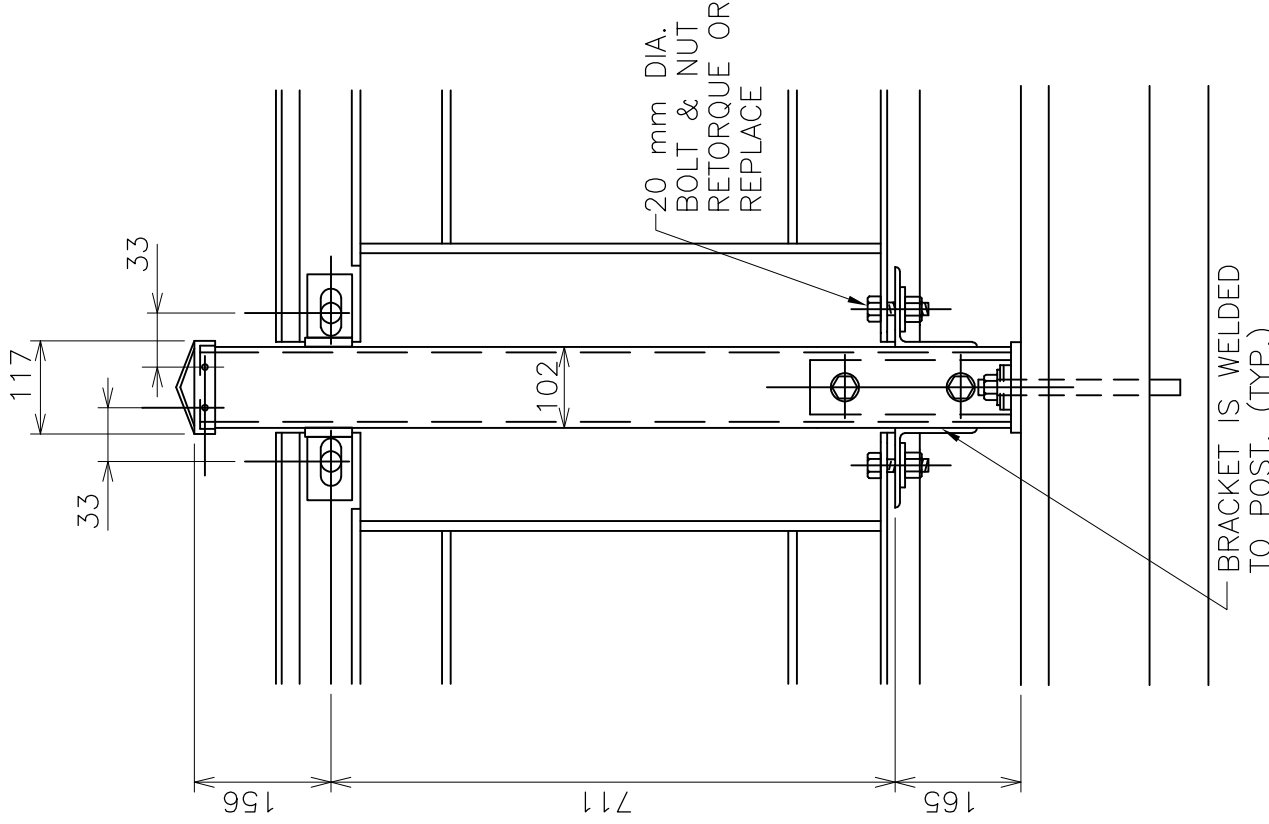
JUNE, 1995

CAD. FILE : JASPER/668526/668526-AC



EXISTING RAILING POST

1:10



RAILING POST C/W NEW CONNECTION PLATE

1:10

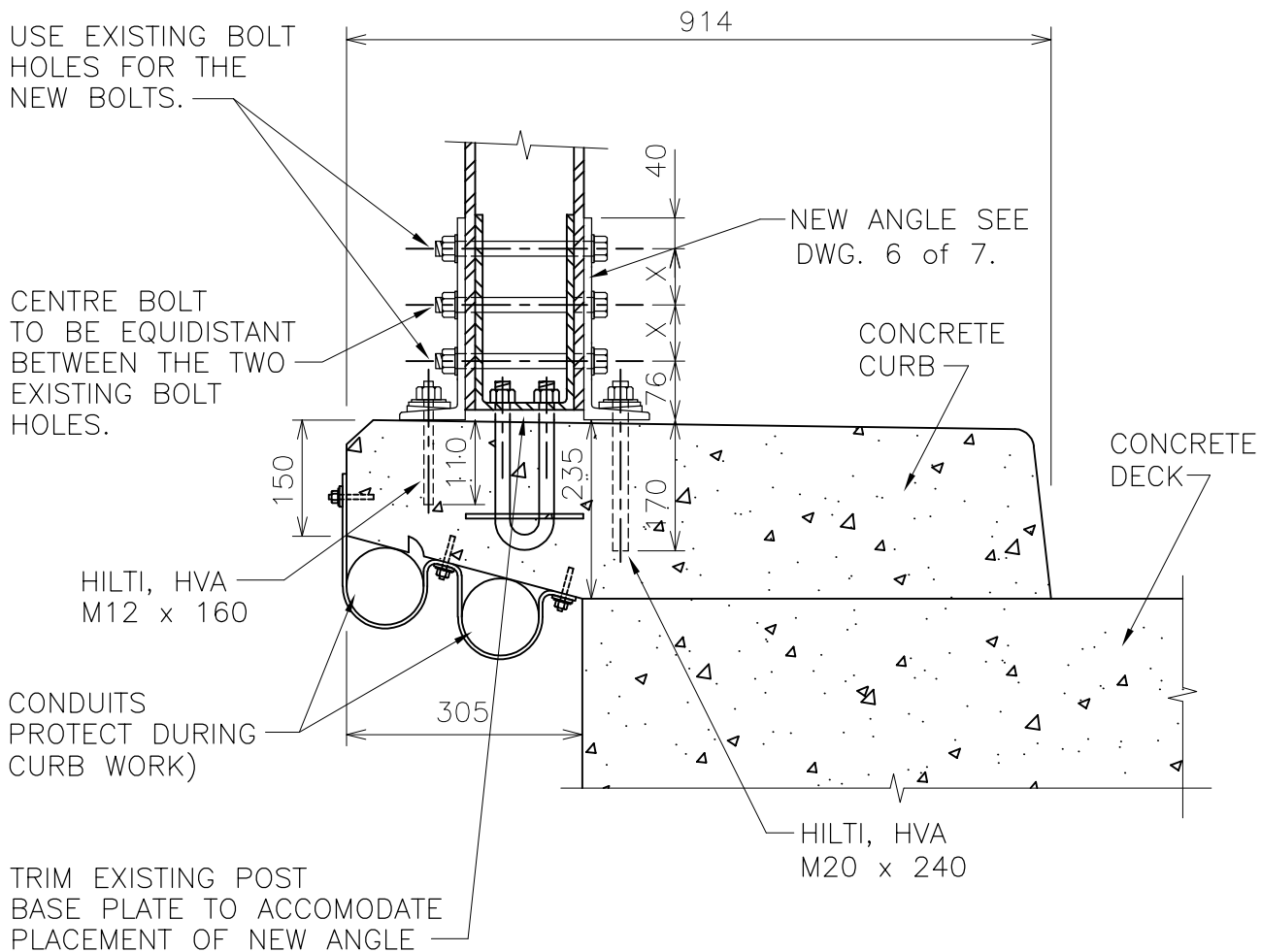
CAD FILE: JASPER\668526\68526A04
PLOT: 1=20

Public Works And Government Services Canada
Travaux publics et Services gouvernementaux Canada
Architectural & Engineering Services Western Region

Drawing title: RAILING POST DETAILS
Titre du dessin:
Scale: As Constructed
échelle:
date: October, 1995

designed by: conçu par:	date:
drawn by: dessiné par:	
approved by: approuvé par:	
project no. no. du projet:	dwg. no. dessin no.
668526	4 of 7

POBOKTAN CREEK BRIDGE
REHABILITATION km 157.74
BANFF-JASPER HWY No.93 NORTH
JASPER NATIONAL PARK



CAD FILE: JASPER\668526\68526A05
 PLOT: 1=10



Public Works And Government Services Canada
 Travaux publics et Services gouvernementaux Canada

Architectural & Engineering Services
 Western Region

Drawing title:
 Titre du dessin:

SECTION B-B
 RAILING POST DETAIL

Scale:
 echelle:

As Constructed

date:

October, 1995

designed by:
 conçu par:

date:

drawn by:
 dessiné par:

approved by:
 approuvé par:

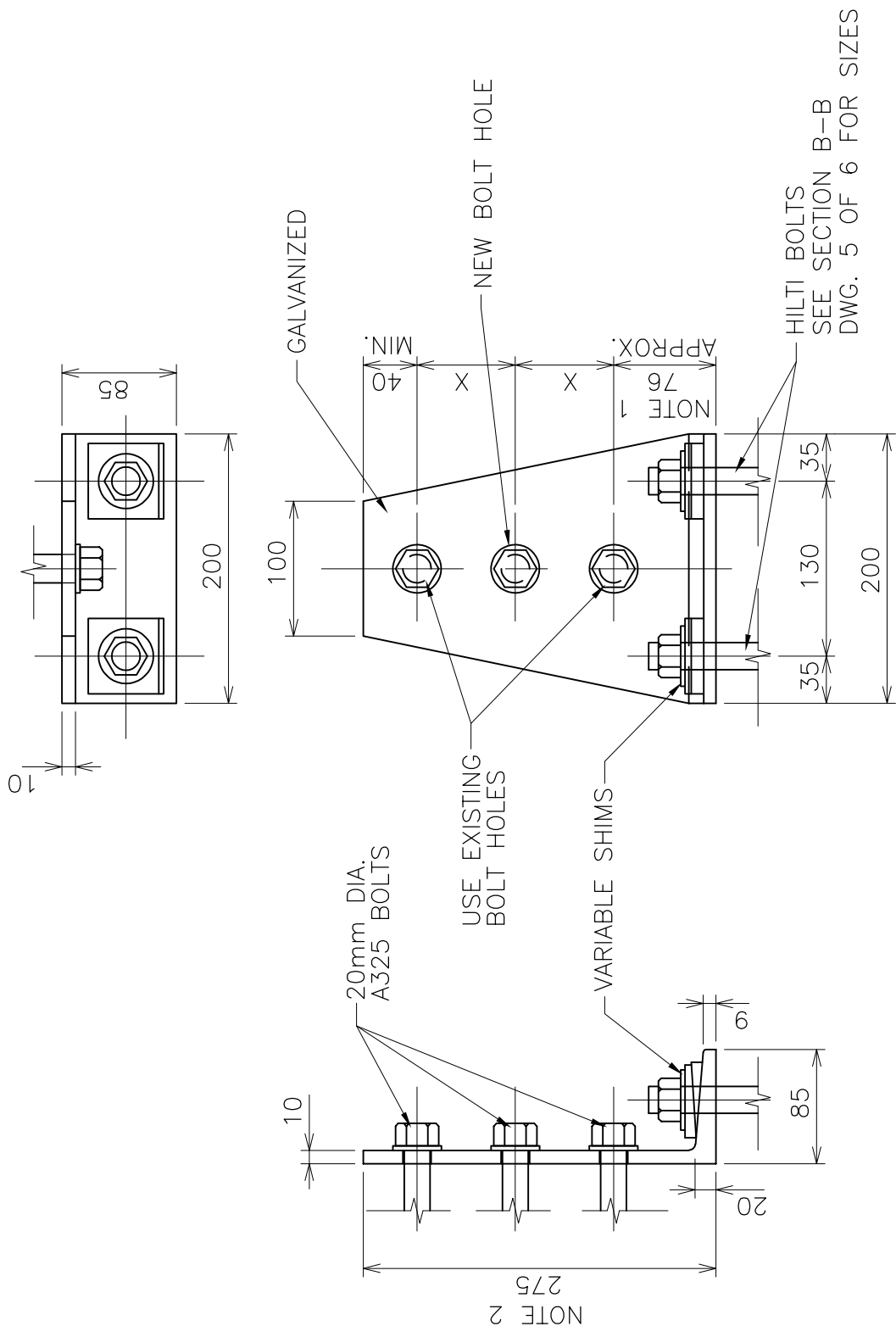
project no.
 no. du projet:

668526

dwg. no.
 dessin no.

5 of 7

POBOKTAN CREEK BRIDGE
 REHABILITATION km 157.74
 BANFF-JASPER HWY No.93 NORTH
 JASPER NATIONAL PARK



NOTES:

1. CONTRACTOR TO FIELD CHECK EXISTING BOLT HOLE LOCATIONS
2. PRECISE PLATE HEIGHT DEPENDS ON BOLT HOLE AS-BUILT LOCATIONS, FIELD CUT TO FIT.
3. ALL BOLTS TO BE M20, TO ASTM A325-80a, TYPE 1, GALVANIZED.

POST CONNECTION PLATE
1:5

CAD FILE: JASPER\668526\68526A06
PLOT: 1=20

Public Works And Government Services Canada
Travaux publics et Services gouvernementaux Canada
Architectural & Engineering Services Western Region

POBOKTAN CREEK BRIDGE
REHABILITATION km 157.74
BANFF-JASPER HWY No.93 NORTH
JASPER NATIONAL PARK

Drawing title: POST CONNECTION PLATE
Titre du dessin:

Scale: As Constructed
échelle:

date: October, 1995

designed by: conçu par:	date:
drawn by: dessiné par:	
approved by: approuvé par:	
project no. no. du projet:	dwg. no. dessin no.
668526	6 of 7