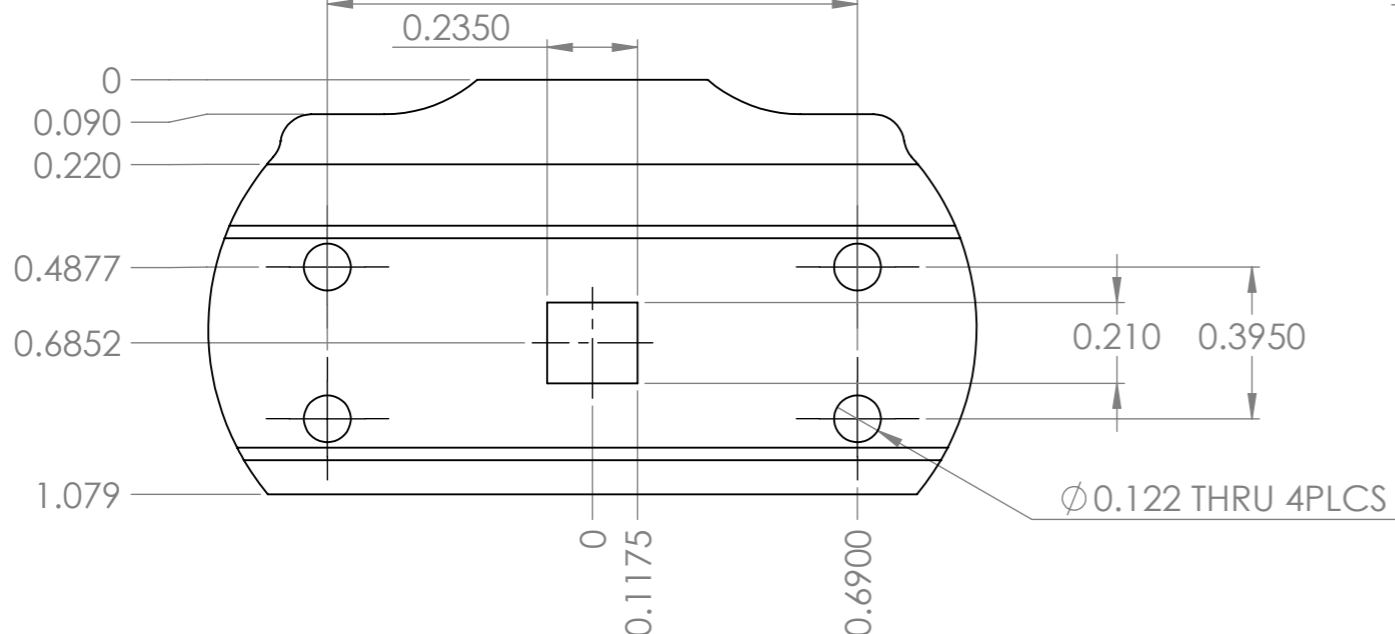
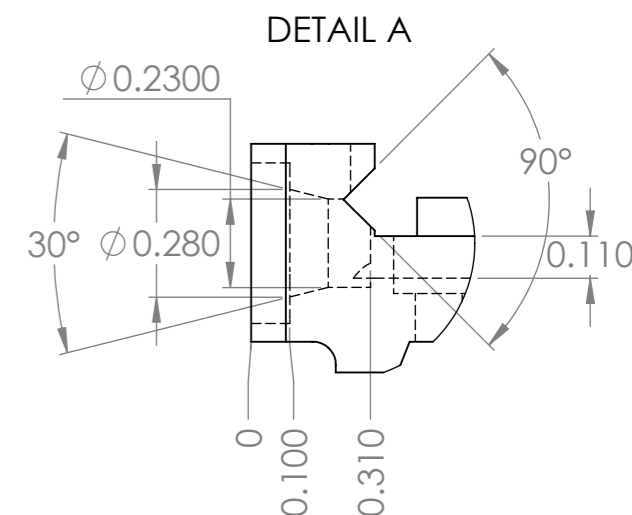
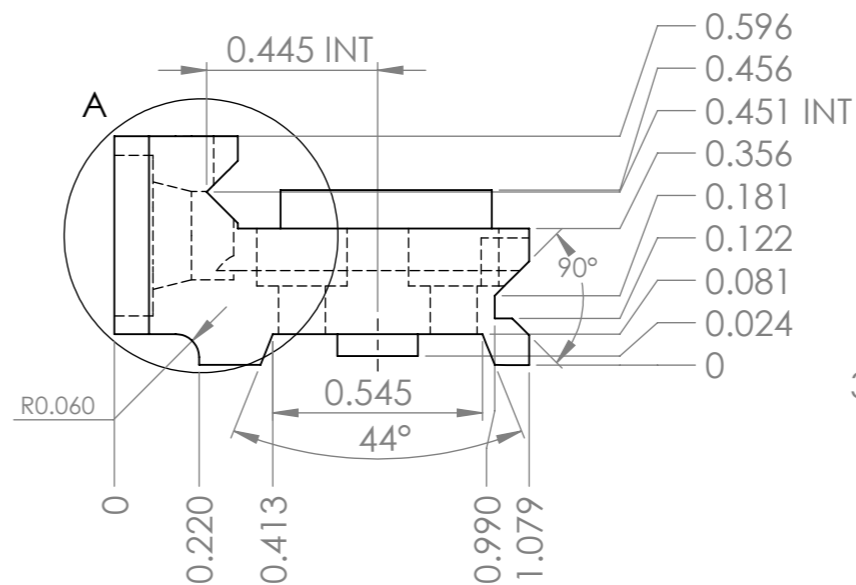
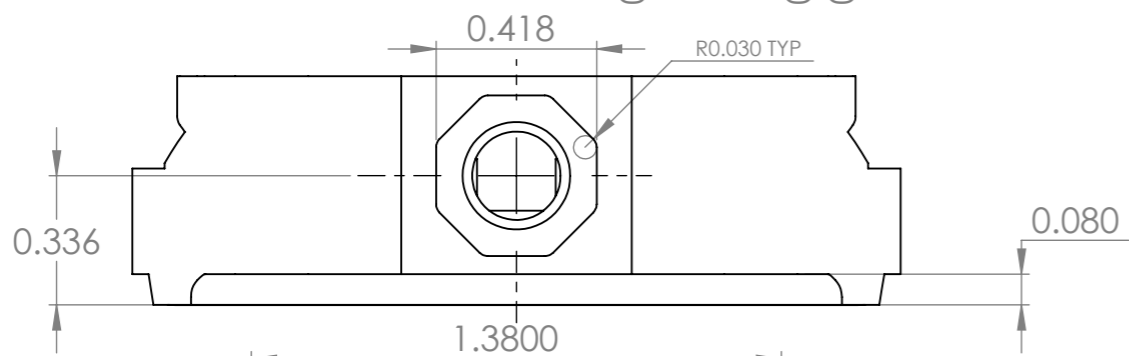
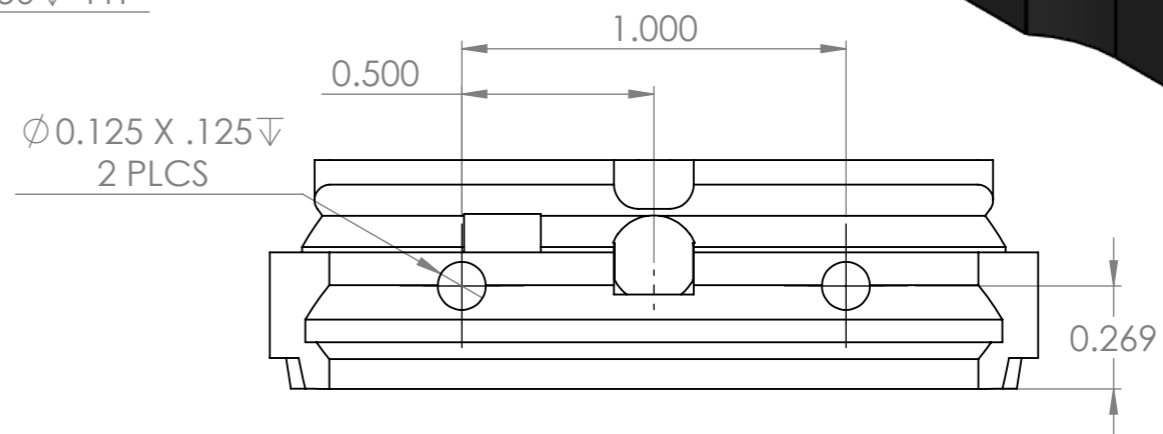
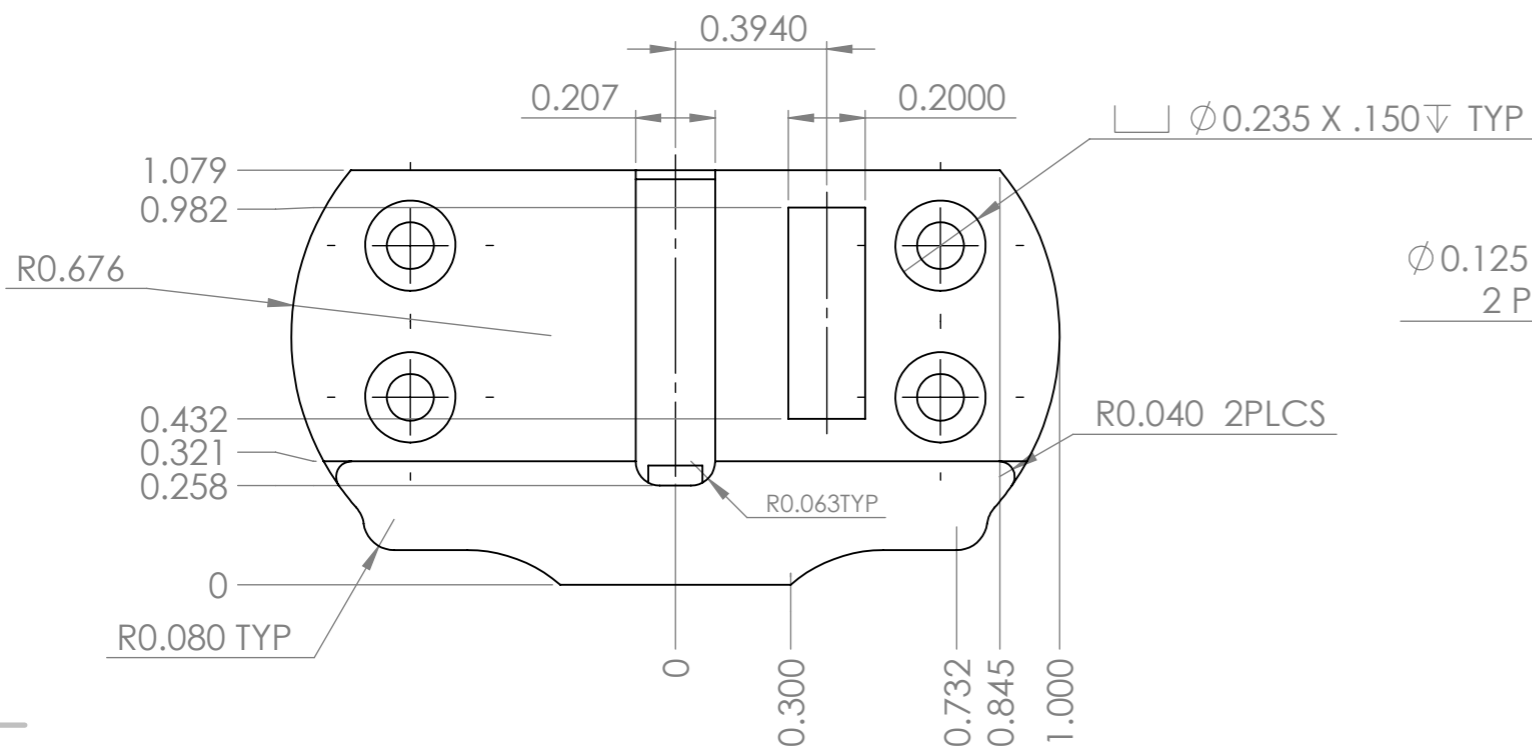
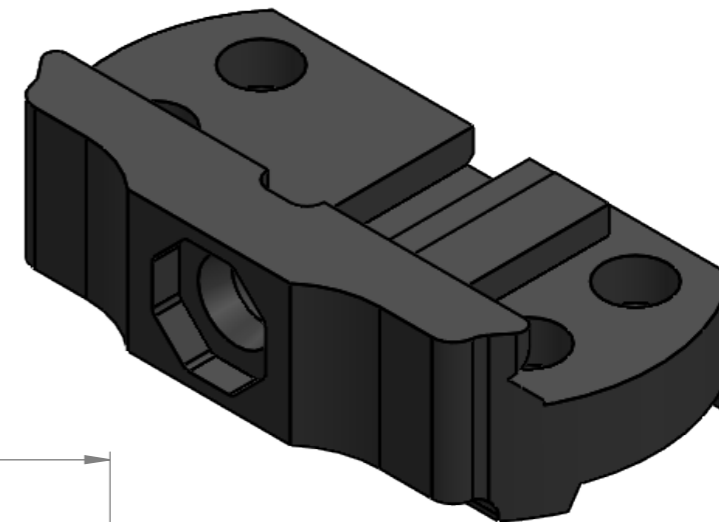


-BRAKE ALL SHARP EDGES .005-.015
 -TOLERANCE DECIMAL +/- .005 +/- .0010
 -MATERIAL ALU-7075
 -HARD COAT ANODIZE MIL-A-8625 TYPE III
 CLASS 2 , MATT BLACK .002 SURFACE
 -ALL TOLERANCE APPLY AFTER ANODIZE



UNLESS OTHERWISE SPECIFIED: DIMENSIONS ARE IN MILLIMETERS		FINISH: CLEAN		DEBURR AND BREAK SHARP EDGES		DO NOT SCALE DRAWING		REVISION	
SURFACE FINISH: TOLERANCES: LINEAR: ANGULAR:						RCMP-GRC			
DRAWN LADOUCEUR		DATE 17/01/16		SIGNATURE		TITLE: 870T2MOUNT-REV2			
CHK'D						DWG NO. 77004531		A3	
APPV'D						MATERIAL: 7075-T6		SCALE:2:1	
MFG						WEIGHT:		SHEET 1 OF 1	
Q.A									