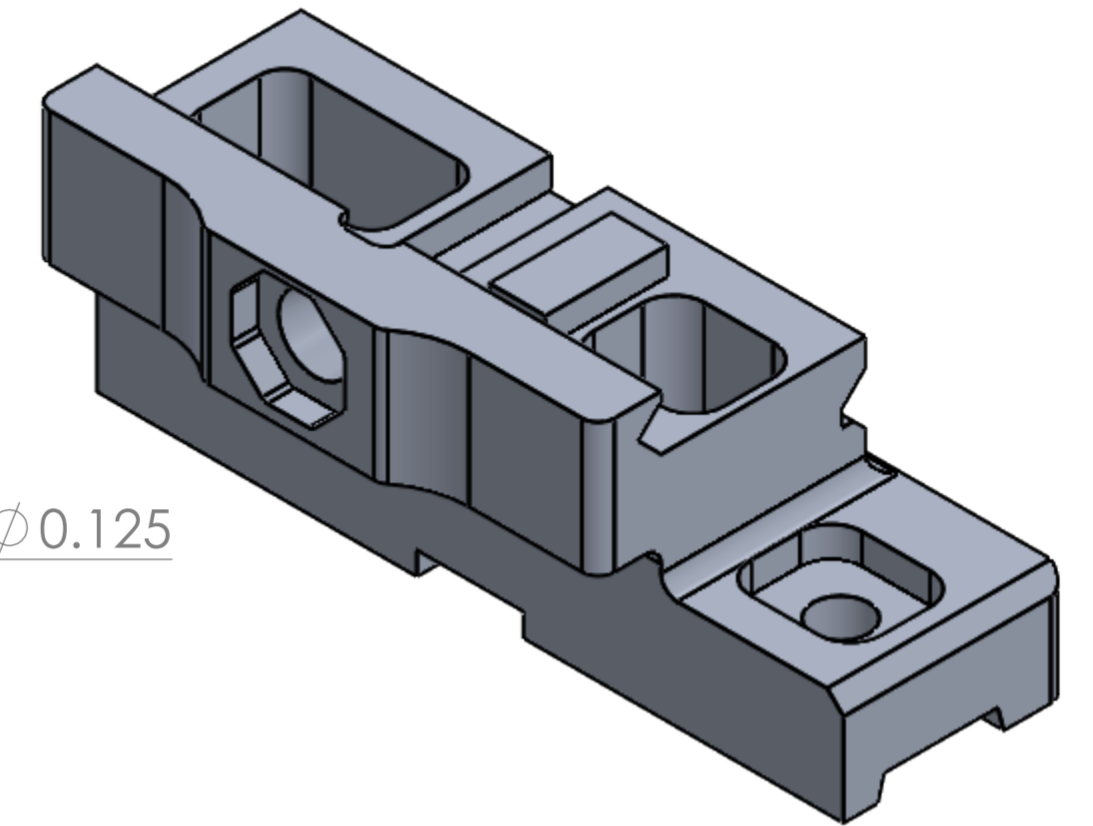
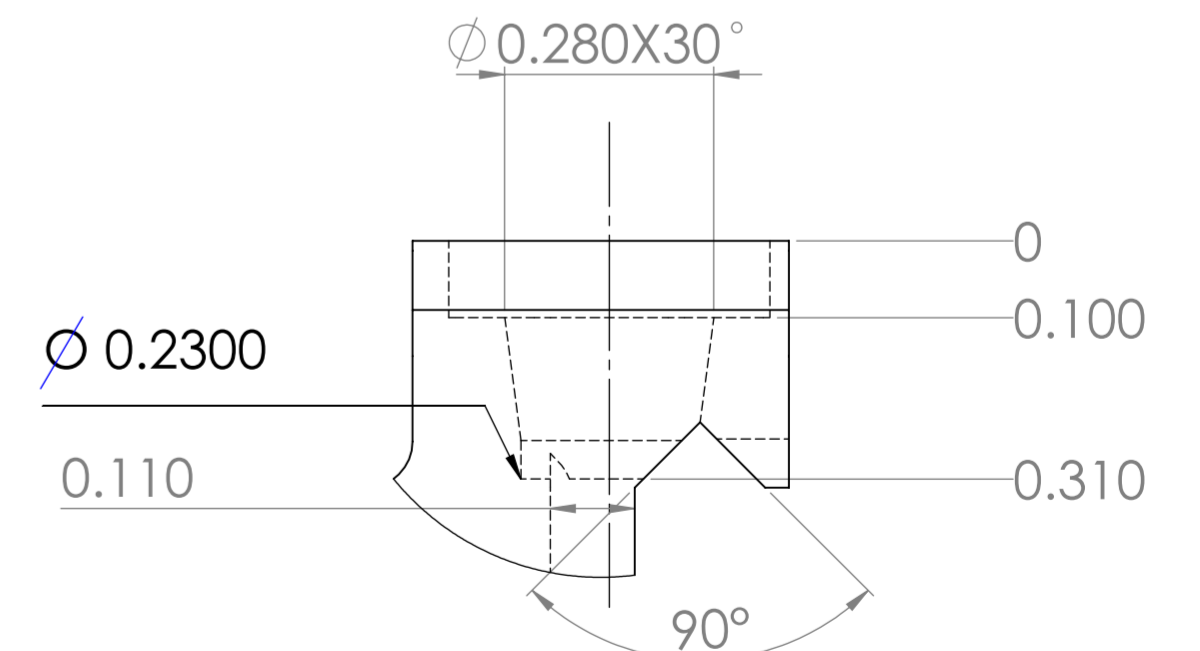
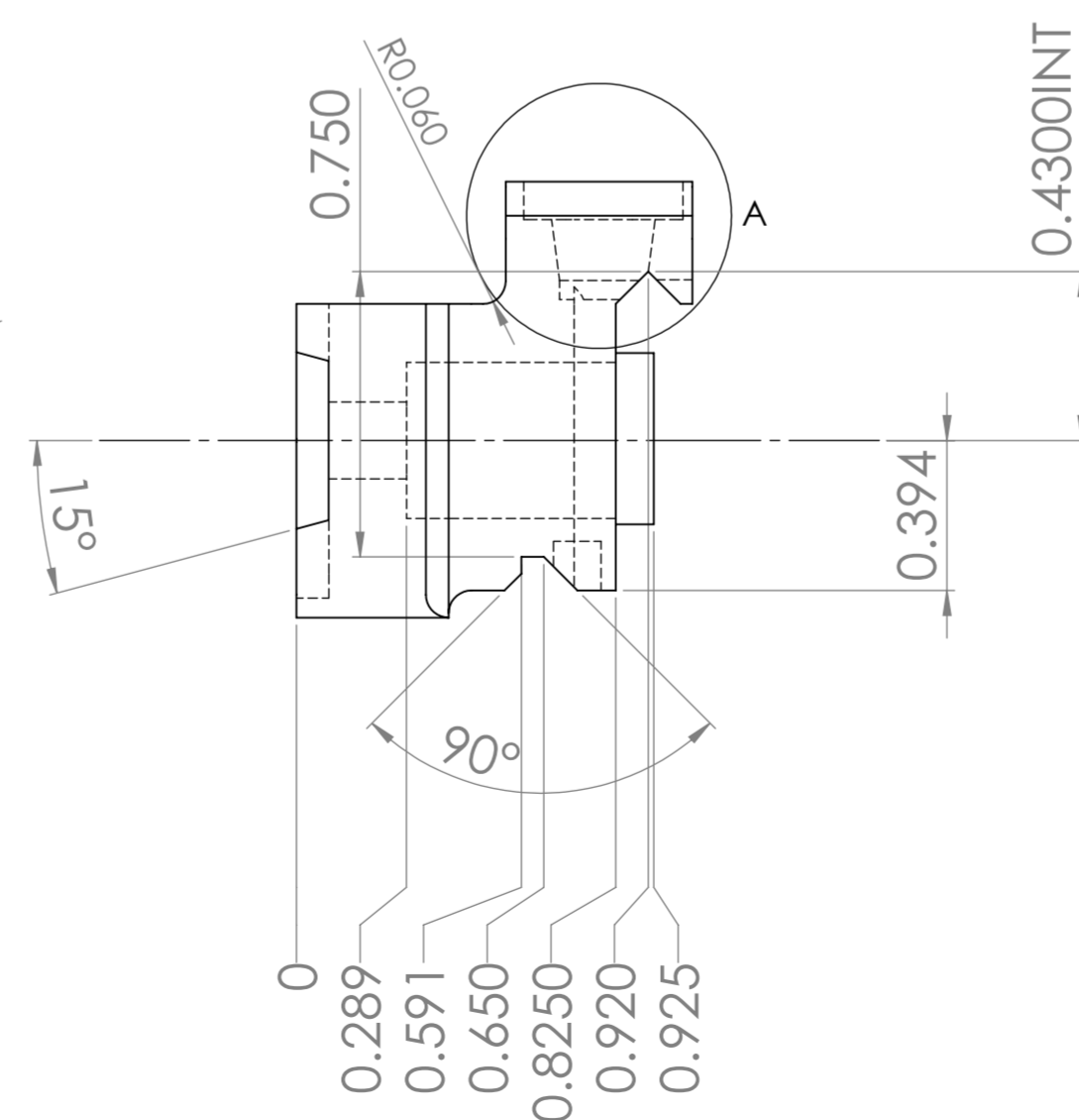
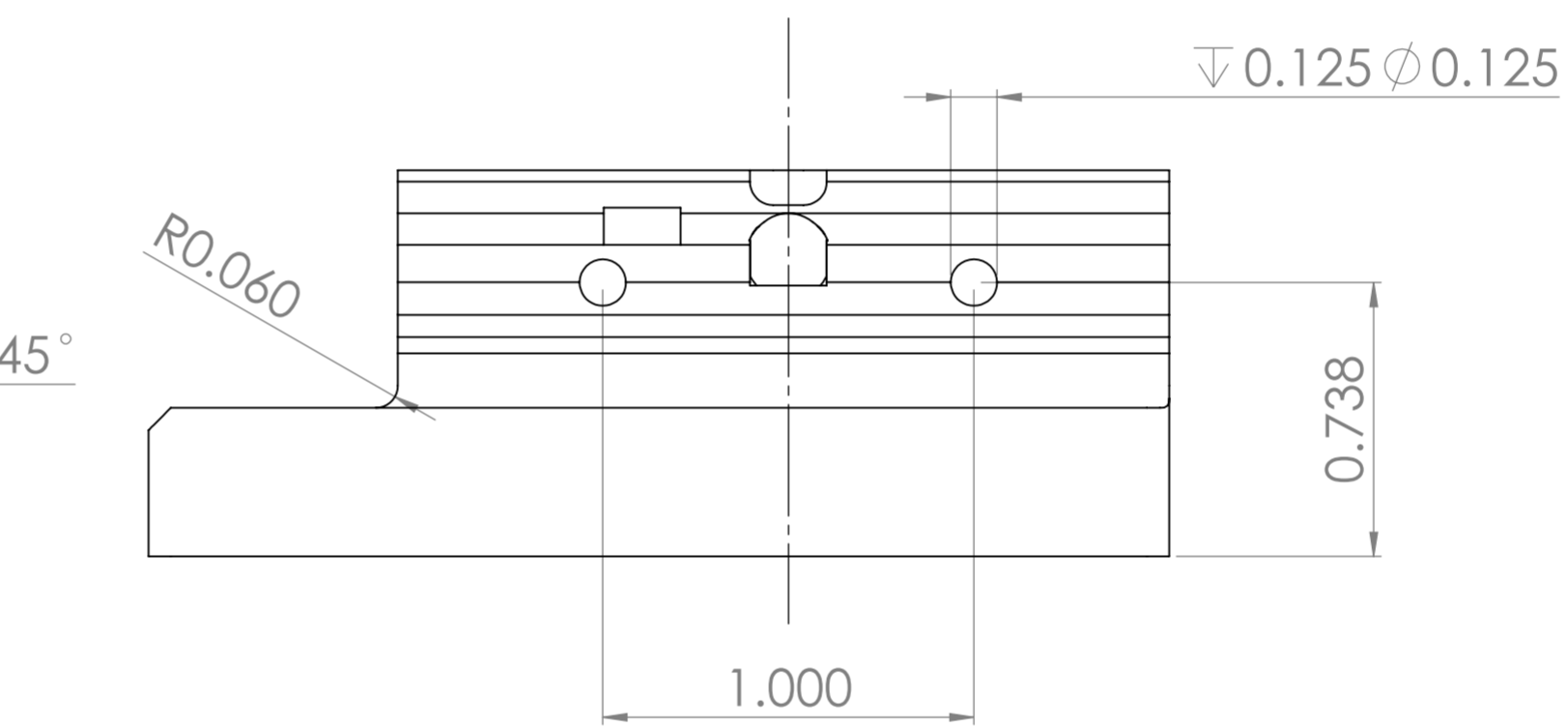
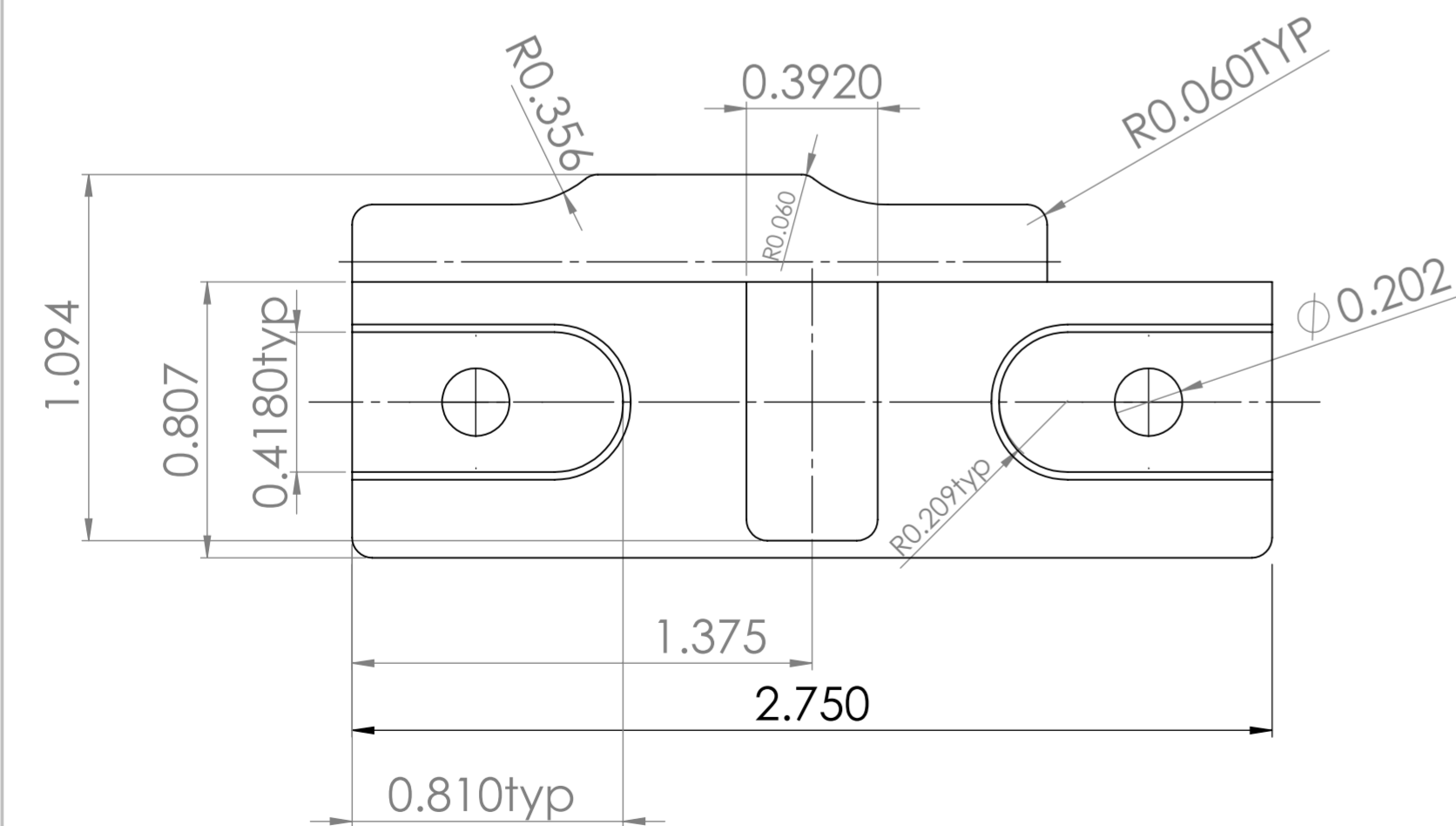
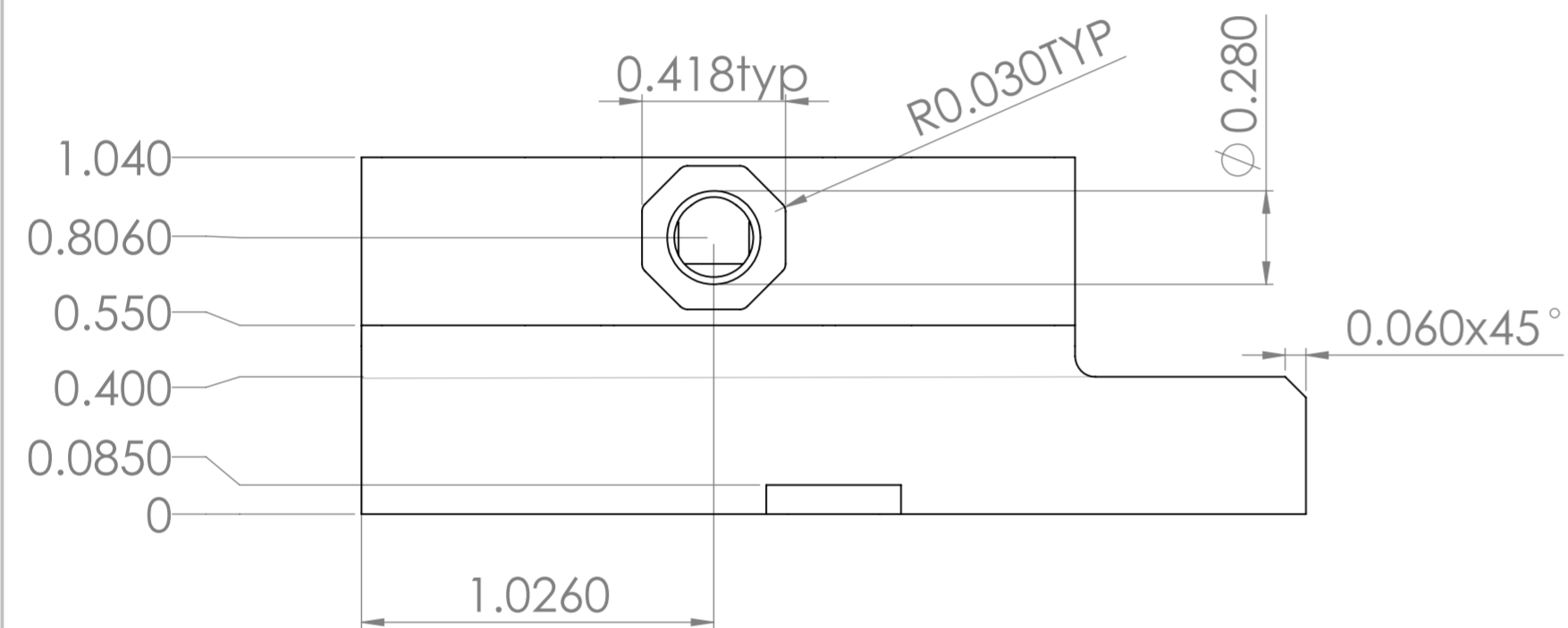
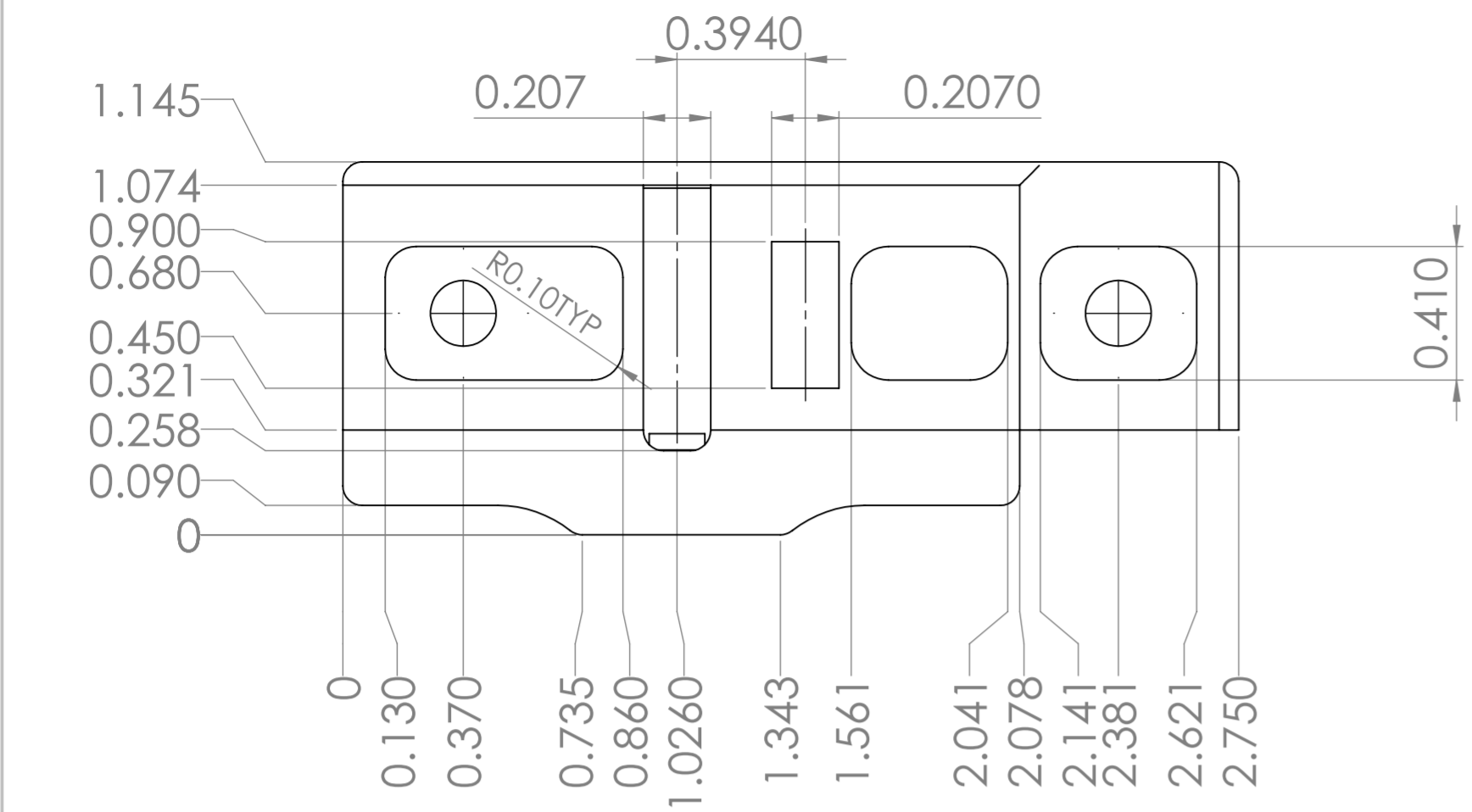


-BREAK ALL SHARP EDGES .005-.015
 -TOLERANCE DECIMAL +/- .005 +/- .0010
 -MATERIAL ALU-7075
 -HARD COAT ANODIZE MIL-A-8625 TYPE III CLASS 2 ,MATT BLACK .002 SURFACE
 -ALL TOLERANCE APPLY AFTER ANODIZE



UNLESS OTHERWISE SPECIFIED: DIMENSIONS ARE IN MILLIMETERS SURFACE FINISH: TOLERANCES: LINEAR: ANGULAR:				FINISH: CLEAN	DO NOT SCALE DRAWING	REVISION
DRAWN: LADOUCEUR				SIGNATURE	DATE 2013-10-10	TITLE: RCMP-GRC C8ADAPTER REV 2 2013-10
CHK'D	AP'VD	MFG	Q.A	MATERIAL: 7075-T6	DWG NO. 77004000	A2
				WEIGHT: 0.138	SCALE: 2:1	SHEET 1 OF 1