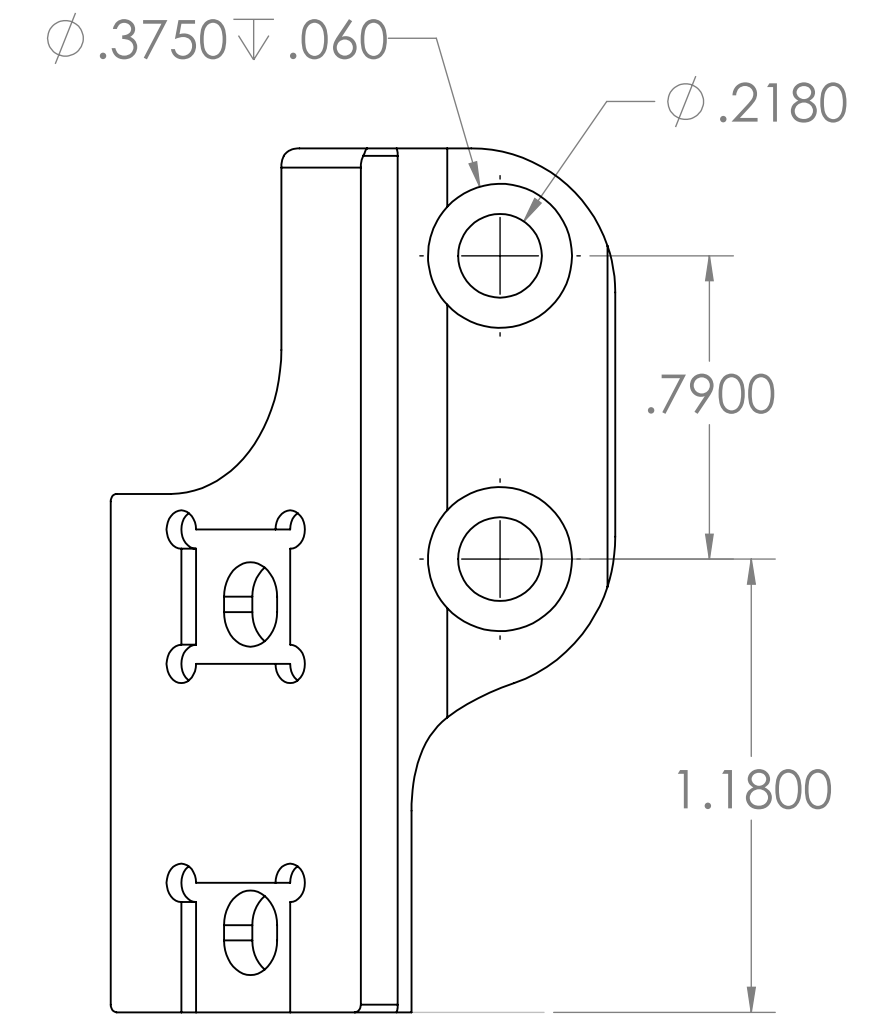
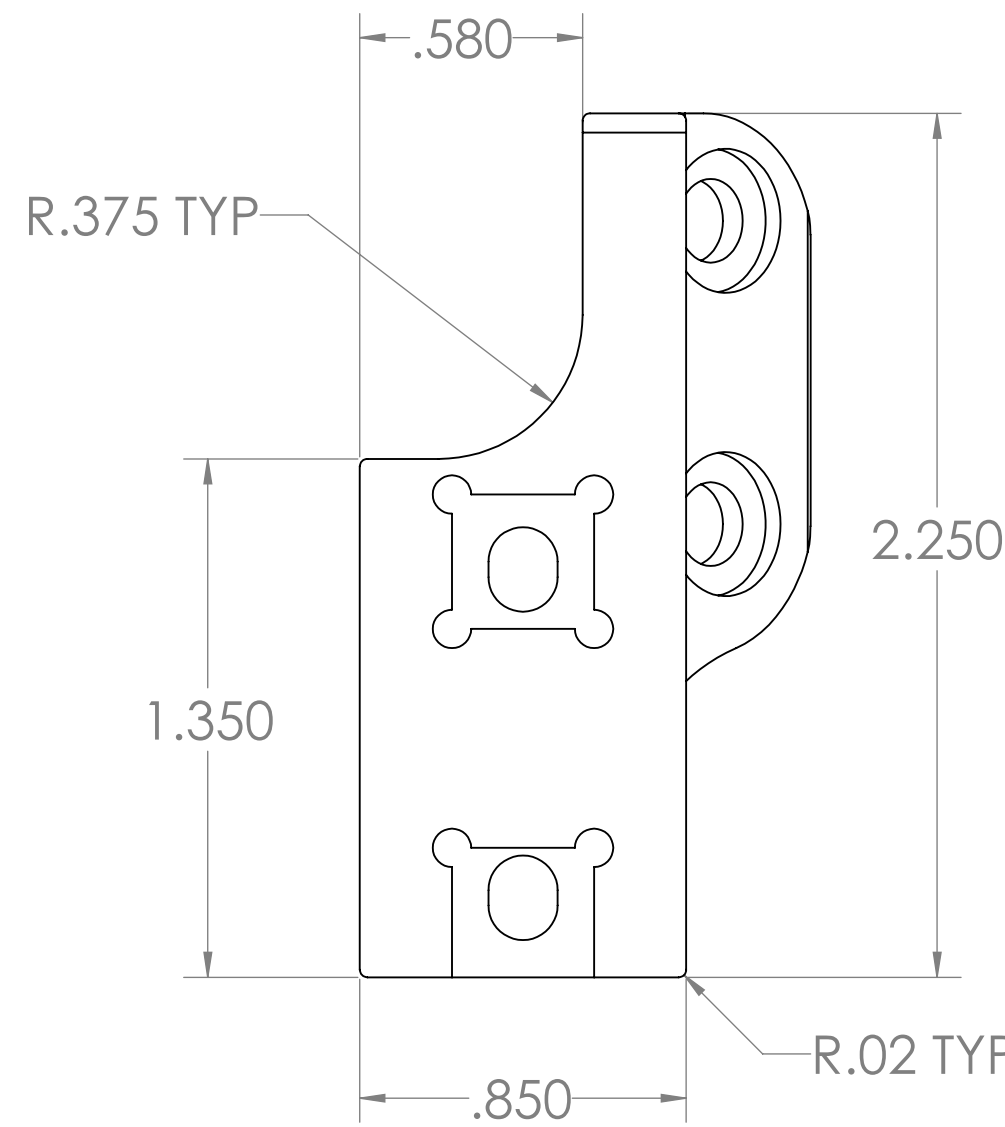
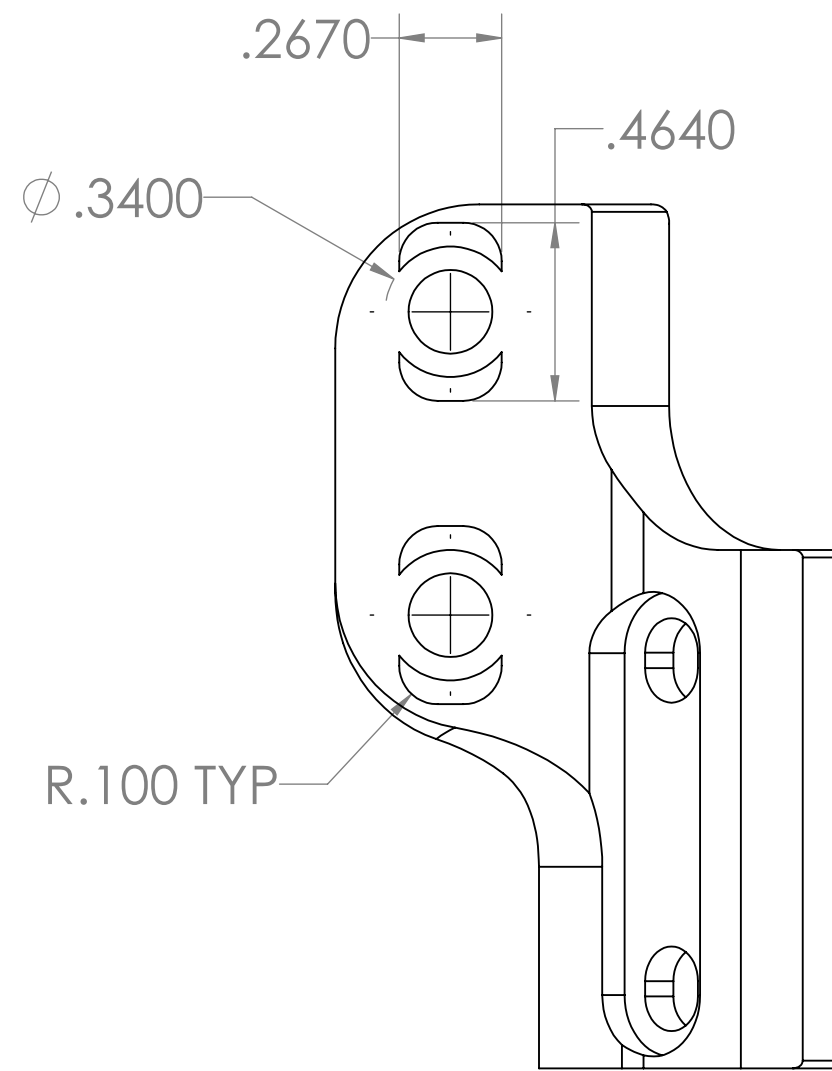
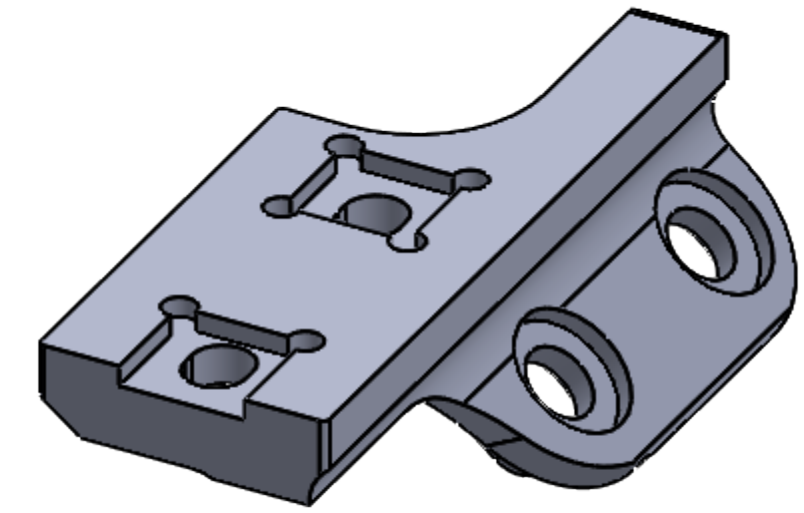
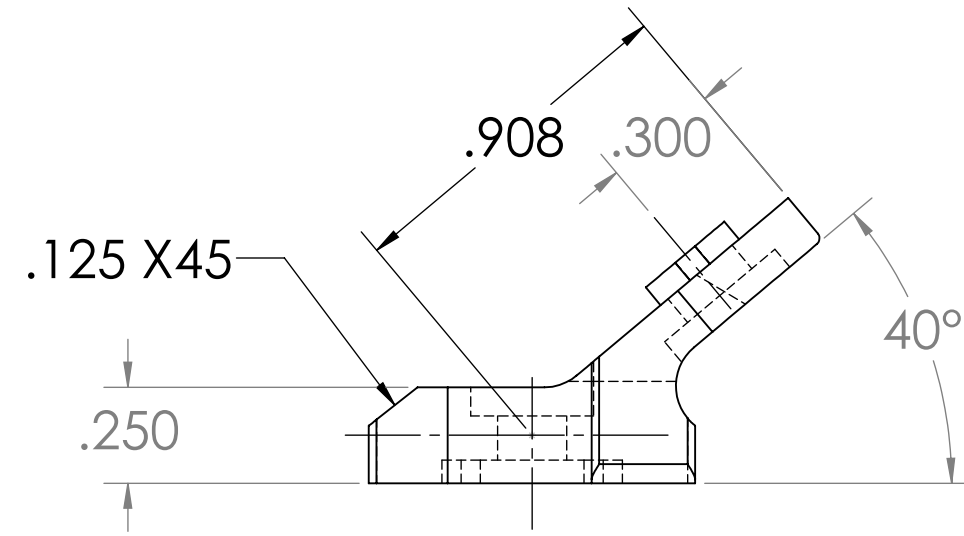


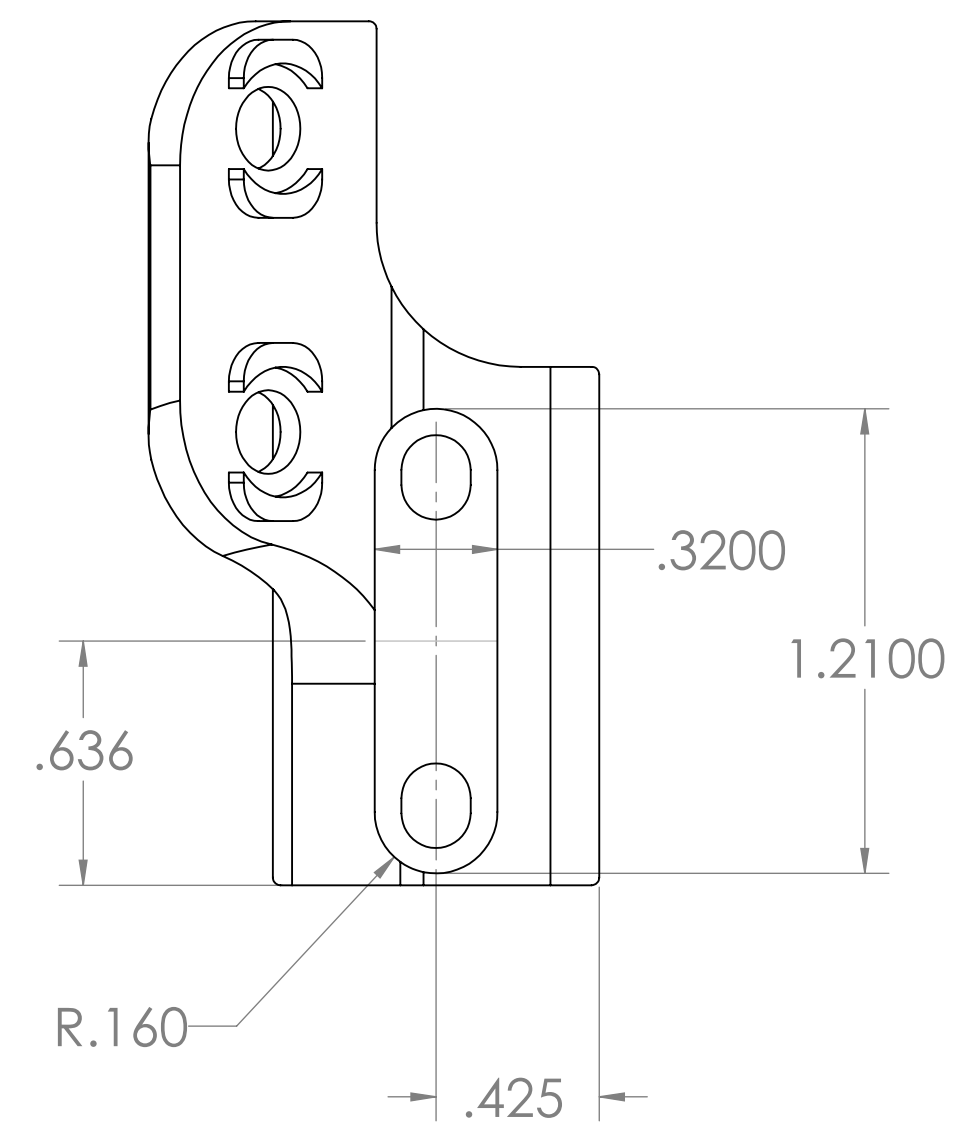
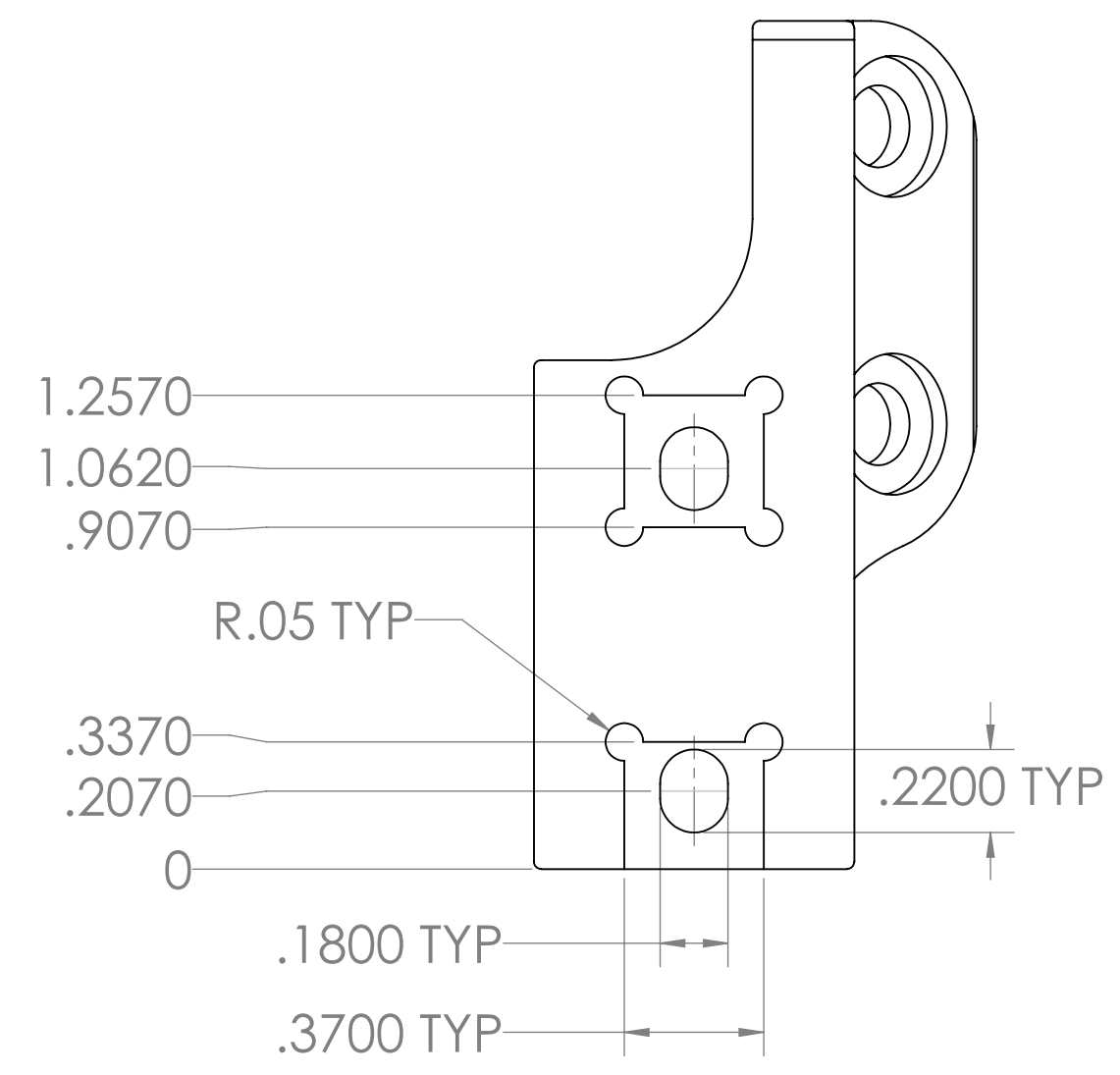
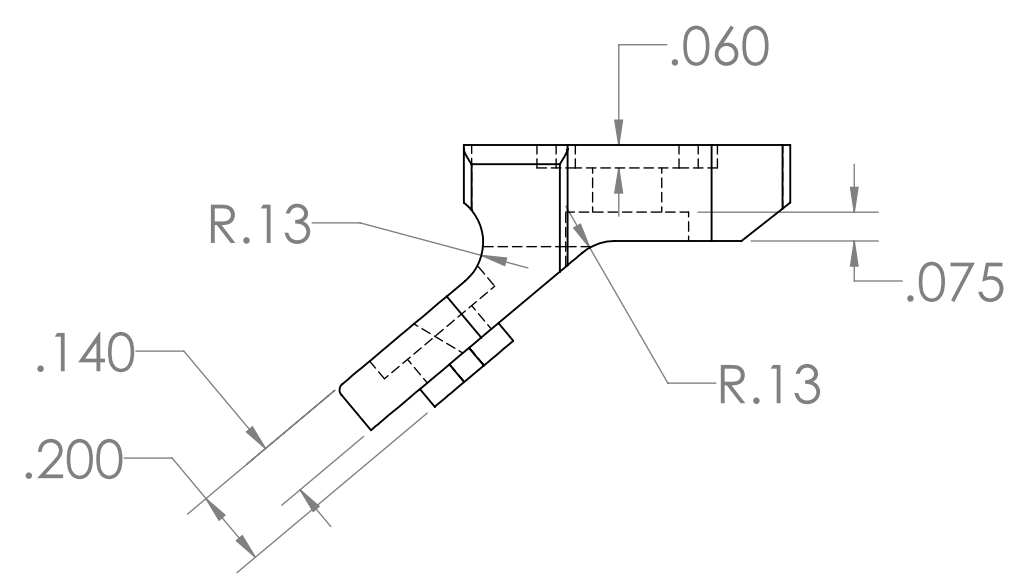
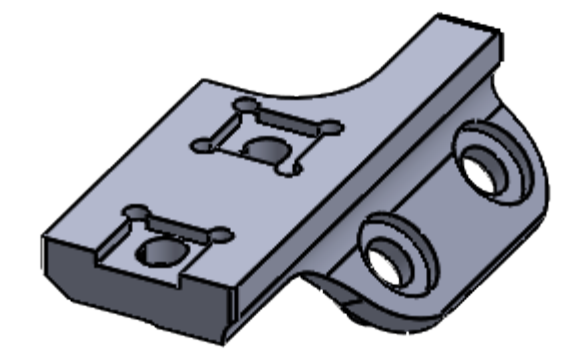
-BRAKE ALL SHARP EDGES 0.010-.015
 -TOLERANCE DECIMAL +/- .005 +/- .0010
 -HARD COAT ANODIZE MIL-A-8625 TYPE III
 CLASS 2, BLACK .002 SURFACE
 -ALL TOLERANCE APPLY AFTER ANODIZE



PROPRIETARY AND CONFIDENTIAL
 THE INFORMATION CONTAINED IN THIS DRAWING IS THE SOLE PROPERTY OF ROYAL CANADIAN MOUNTED POLICE. ANY REPRODUCTION IN PART OR AS A WHOLE WITHOUT THE WRITTEN PERMISSION OF ROYAL CANADIAN MOUNTED POLICE IS PROHIBITED.

		UNLESS OTHERWISE SPECIFIED:		NAME		DATE		RCMP-GRC	
		DIMENSIONS ARE IN INCHES		DRAWN				TITLE:	
		TOLERANCES:		CHECKED				M-LOK LIGHT MOUNT	
		FRACTIONAL \pm		ENG APPR.				REV 2	
		ANGULAR: MACH \pm BEND \pm		MFG APPR.				SIZE DWG. NO.	
		TWO PLACE DECIMAL \pm		Q.A.				C 77005172	
		THREE PLACE DECIMAL \pm		COMMENTS:				REVISION	
		INTERPRET GEOMETRIC TOLERANCING PER:						SCALE: 2:1 WEIGHT:	
		MATERIAL						SHEET 1 OF 2	
		ALU-7075-T6							
		FINISH							
NEXT ASSY		USED ON							
APPLICATION		DO NOT SCALE DRAWING							

-BRAKE ALL SHARP EDGES .010-.015
 -TOLERANCE DECIMAL $\pm .005 \pm .0010$
 -HARD COAT ANODIZE MIL-A-TYPE III
 CLASS 2 , BLACK .002 SURFACE
 -ALL TOLERANCE APPLY AFTER ANODIZE



PROPRIETARY AND CONFIDENTIAL
 THE INFORMATION CONTAINED IN THIS DRAWING IS THE SOLE PROPERTY OF ROYAL CANADIAN MOUNTED POLICE. ANY REPRODUCTION IN PART OR AS A WHOLE WITHOUT THE WRITTEN PERMISSION OF ROYAL CANADIAN MOUNTED POLICE IS PROHIBITED.

		UNLESS OTHERWISE SPECIFIED:		NAME	DATE	RCMP-GRC	
		DIMENSIONS ARE IN INCHES		DRAWN		TITLE:	
		TOLERANCES:		CHECKED		M-LOK LIGHT MOUNT	
		FRACTIONAL \pm		ENG APPR.		REV 2	
		ANGULAR: MACH \pm BEND \pm		MFG APPR.		SIZE	DWG. NO.
		TWO PLACE DECIMAL \pm		Q.A.		C	77005172
		THREE PLACE DECIMAL \pm		COMMENTS:		SCALE: 2:1	WEIGHT:
		INTERPRET GEOMETRIC TOLERANCING PER:					SHEET 2 OF 2
		MATERIAL:					
		ALU 7075-T6					
		FINISH:					
NEXT ASSY	USED ON	APPLICATION					
		DO NOT SCALE DRAWING					