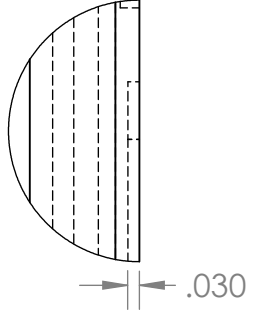
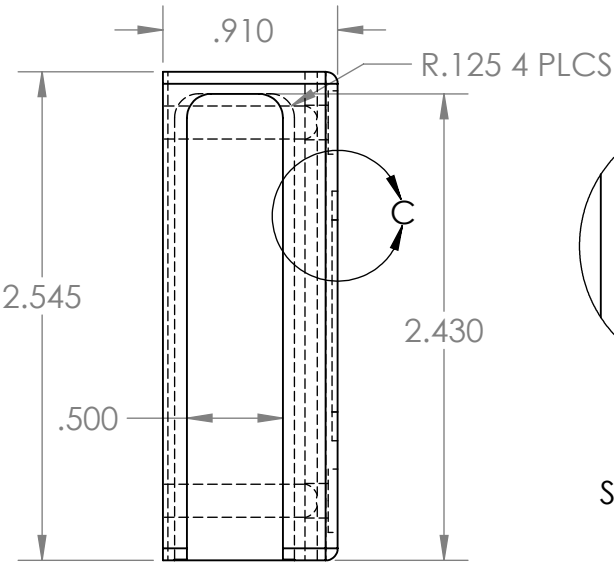


2

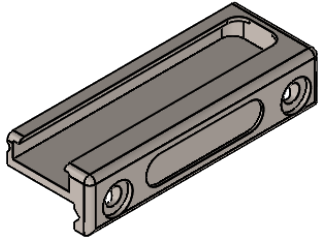
1

B

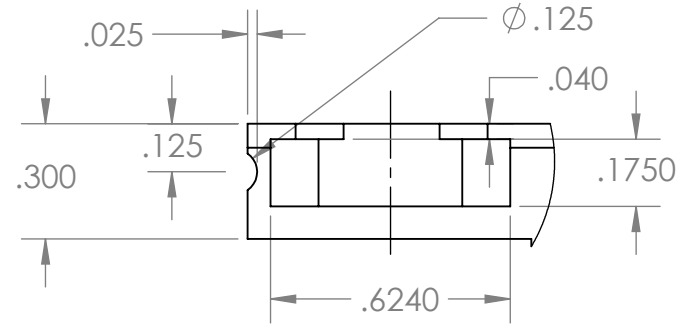
B



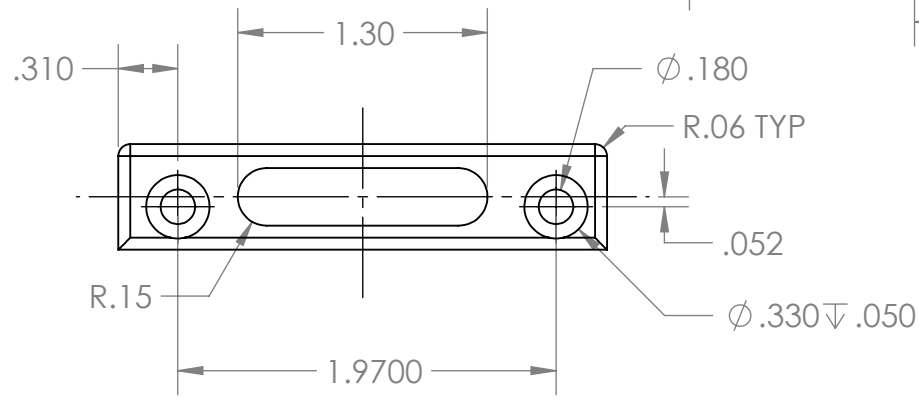
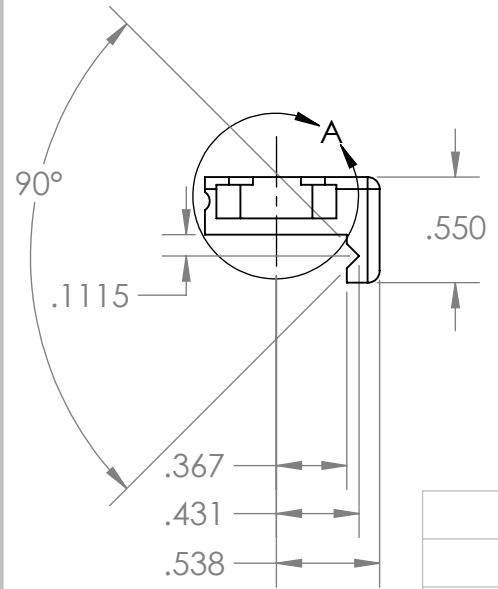
DETAIL C
SCALE 2 : 1



-BRAKE ALL SHARP EDGES .005-.015
 -TOLERANCE DECIMAL +-.005 +-.0010
 -MATERIAL ALU-7075
 -HARD COAT ANODIZE MIL-A-8625 TYPE III
 CLASS 2 , BLACK .002 SURFACE
 -ALL TOLERANCE APPLY AFTER ANODIZE



DETAIL A
SCALE 2 : 1



A

A

PROPRIETARY AND CONFIDENTIAL
 THE INFORMATION CONTAINED IN THIS DRAWING IS THE SOLE PROPERTY OF ROYAL CANADIAN MOUNTED POLICE. ANY REPRODUCTION IN PART OR AS A WHOLE WITHOUT THE WRITTEN PERMISSION OF ROYAL CANADIAN MOUNTED POLICE IS PROHIBITED.

		UNLESS OTHERWISE SPECIFIED:		NAME	DATE
		DIMENSIONS ARE IN INCHES	DRAWN	D.L	03/2022
		TOLERANCES:	CHECKED		
		FRACTIONAL ±	ENG APPR.		
		ANGULAR: MACH ± BEND ±	MFG APPR.		
		TWO PLACE DECIMAL ±	Q.A.		
		THREE PLACE DECIMAL ±	COMMENTS:		
		INTERPRET GEOMETRIC TOLERANCING PER:			
		MATERIAL			
		ALU 7075-T6			
		FINISH			
NEXT ASSY	USED ON				
APPLICATION		DO NOT SCALE DRAWING			

RCMP-GRC		
TITLE:		
SUREFIRE UE07 MOUNT		
SIZE	DWG. NO.	REV
A	77005180	
SCALE: 1:1	WEIGHT:	SHEET 1 OF 1

2

1