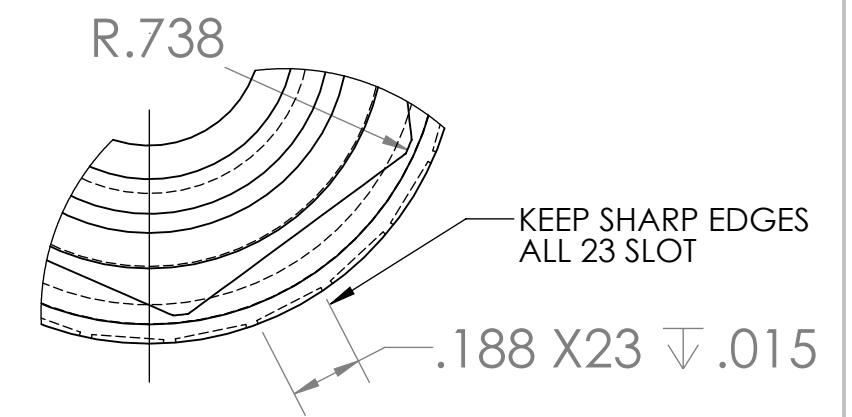
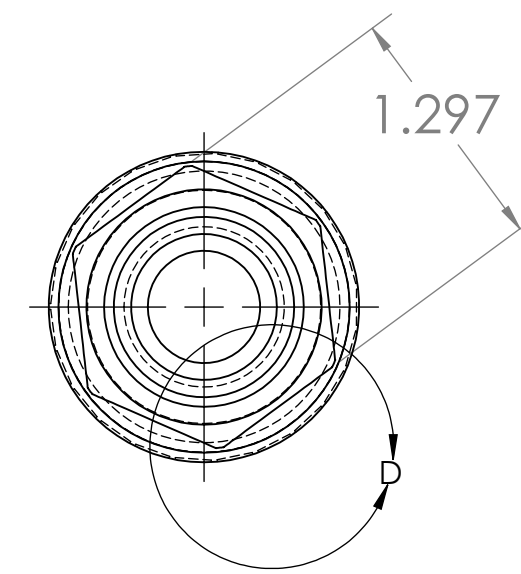
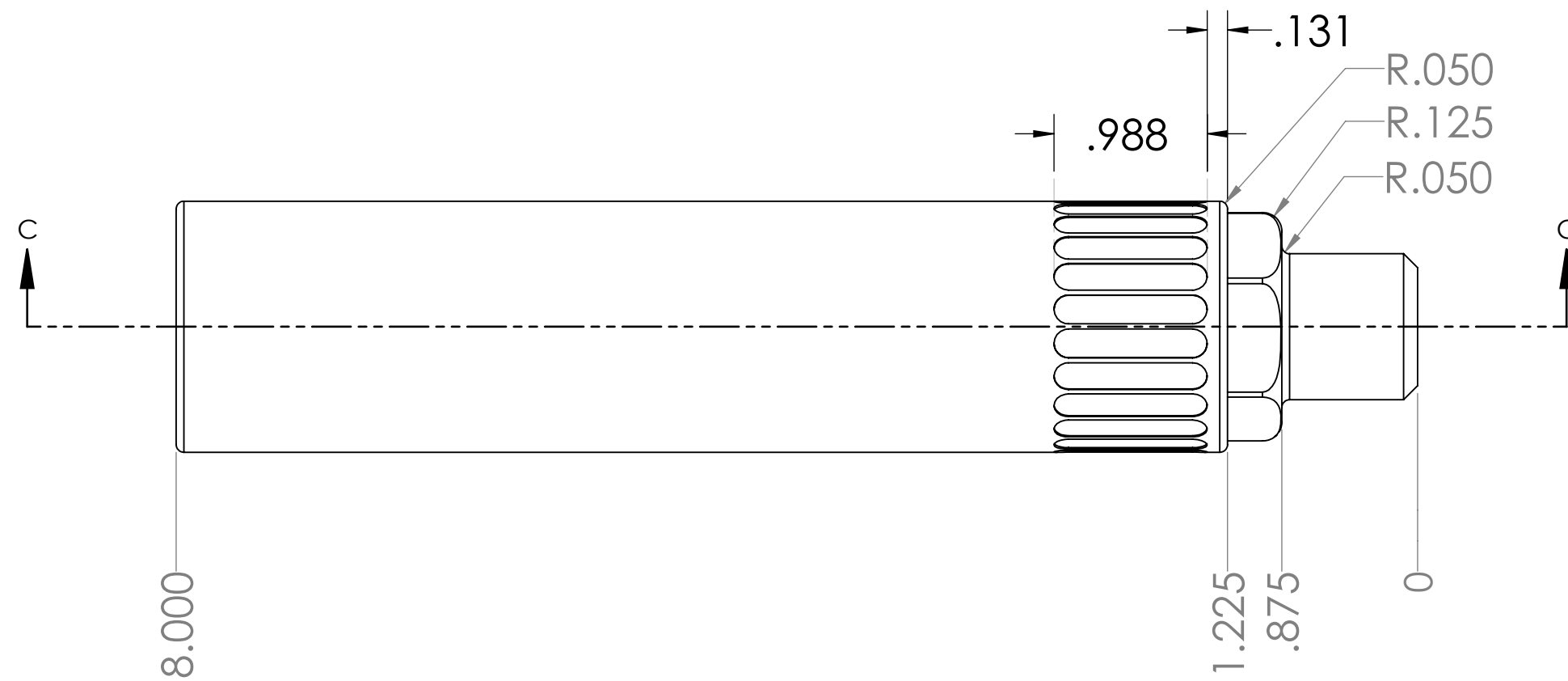
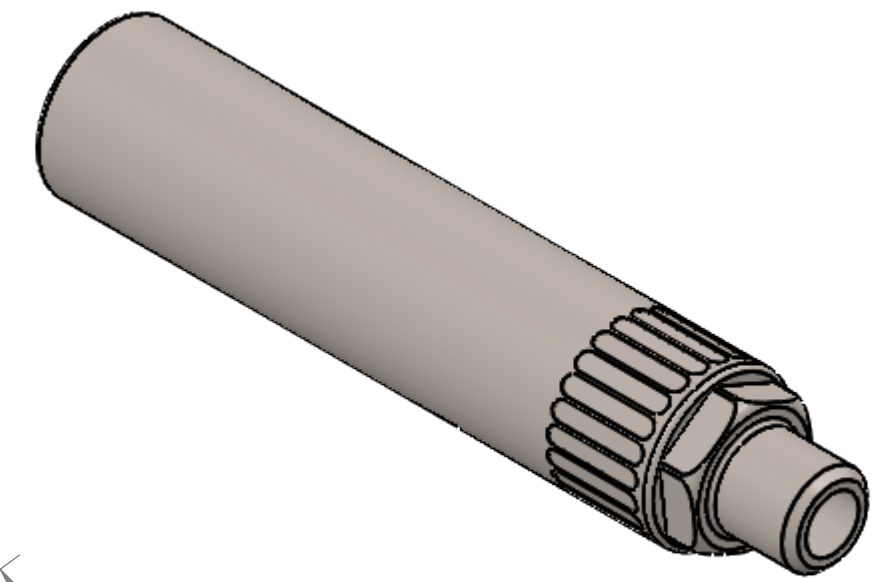
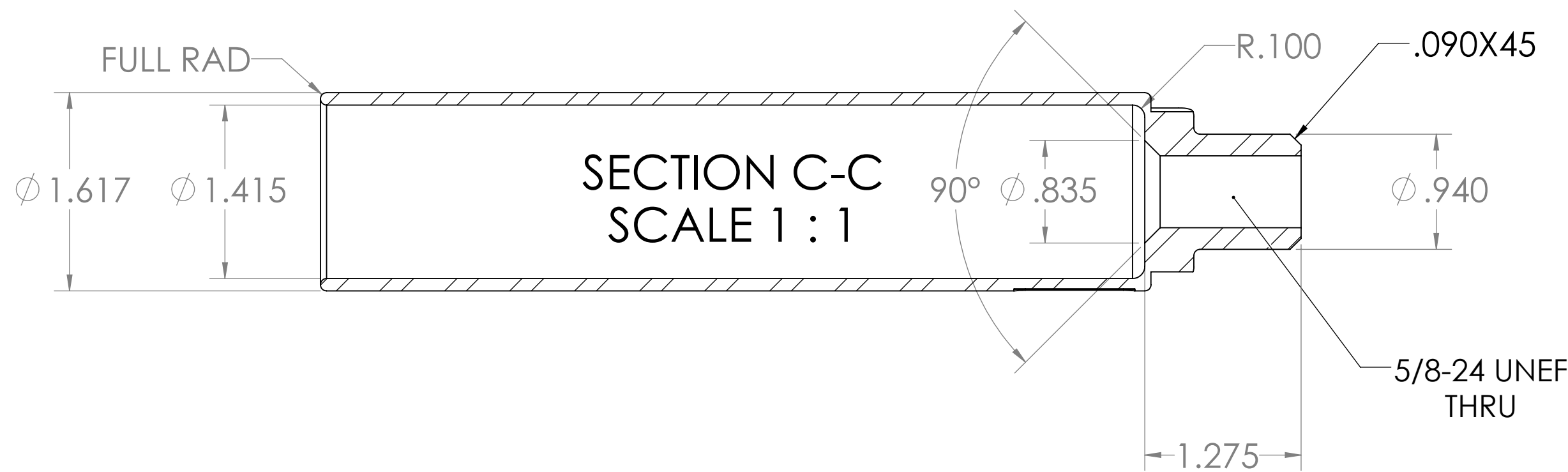


-BRAKE ALL SHARP EDGES .005-.015
 -TOLERANCE DECIMAL $\pm .005 \pm .0010$
 -MATERIAL 416 STAINLESS STEEL



DETAIL D
SCALE 2:1



PROPRIETARY AND CONFIDENTIAL
 THE INFORMATION CONTAINED IN THIS DRAWING IS THE SOLE PROPERTY OF ROYAL CANADIAN MOUNTED POLICE. ANY REPRODUCTION IN PART OR AS A WHOLE WITHOUT THE WRITTEN PERMISSION OF ROYAL CANADIAN MOUNTED POLICE IS PROHIBITED.

		UNLESS OTHERWISE SPECIFIED:		NAME	DATE	RCMP-GRC
		DIMENSIONS ARE IN INCHES		DRAWN	D.L.	
		TOLERANCES:		CHECKED		TITLE:
		FRACTIONAL \pm		ENG APPR.		HUXWRX SIMUNITION
		ANGULAR: MACH \pm BEND \pm		MFG APPR.		SUPPRESSOR
		TWO PLACE DECIMAL \pm		Q.A.		SIZE DWG. NO.
		THREE PLACE DECIMAL \pm		COMMENTS:		C 77005353
		INTERPRET GEOMETRIC TOLERANCING PER:				REV
		MATERIAL				SCALE: 1:2 WEIGHT: SHEET 1 OF 1
		FINISH				
NEXT ASSY	USED ON	APPLICATION				
		DO NOT SCALE DRAWING				