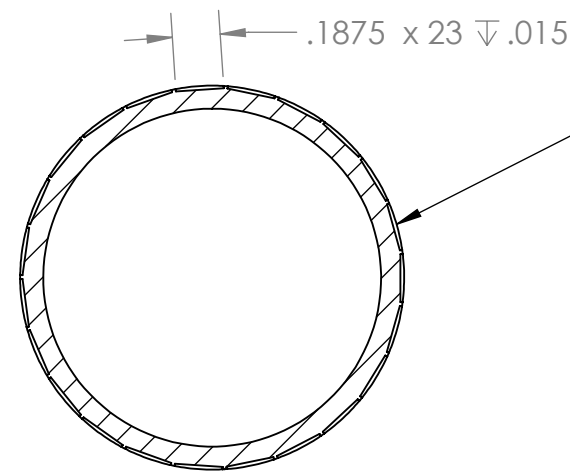
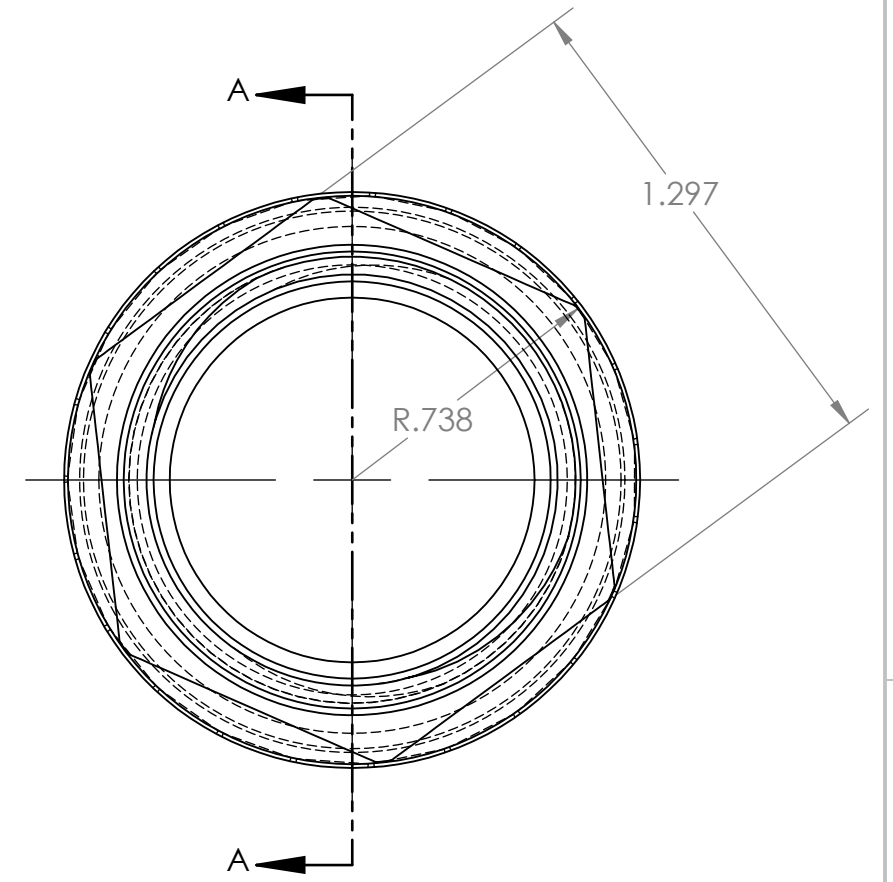
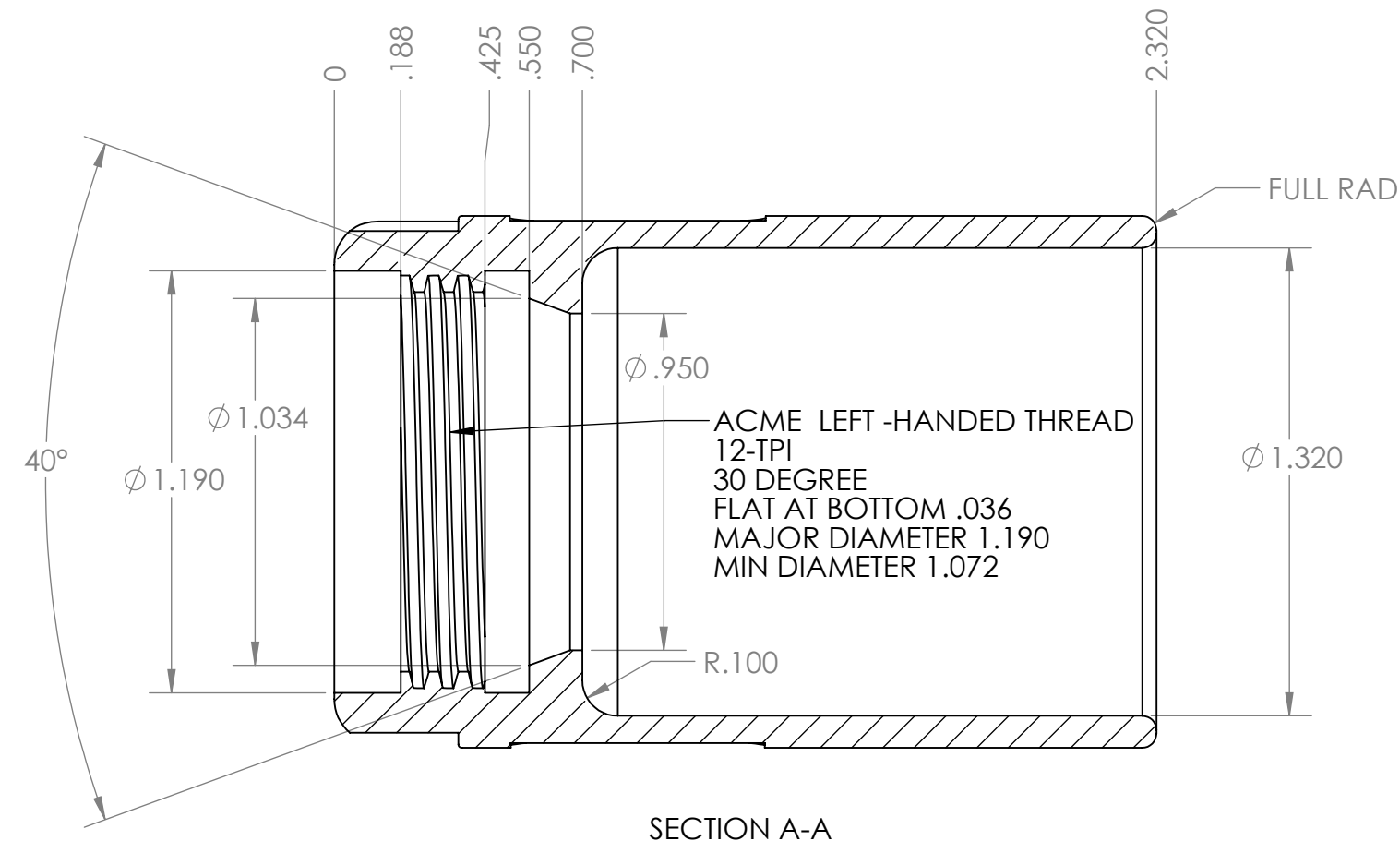
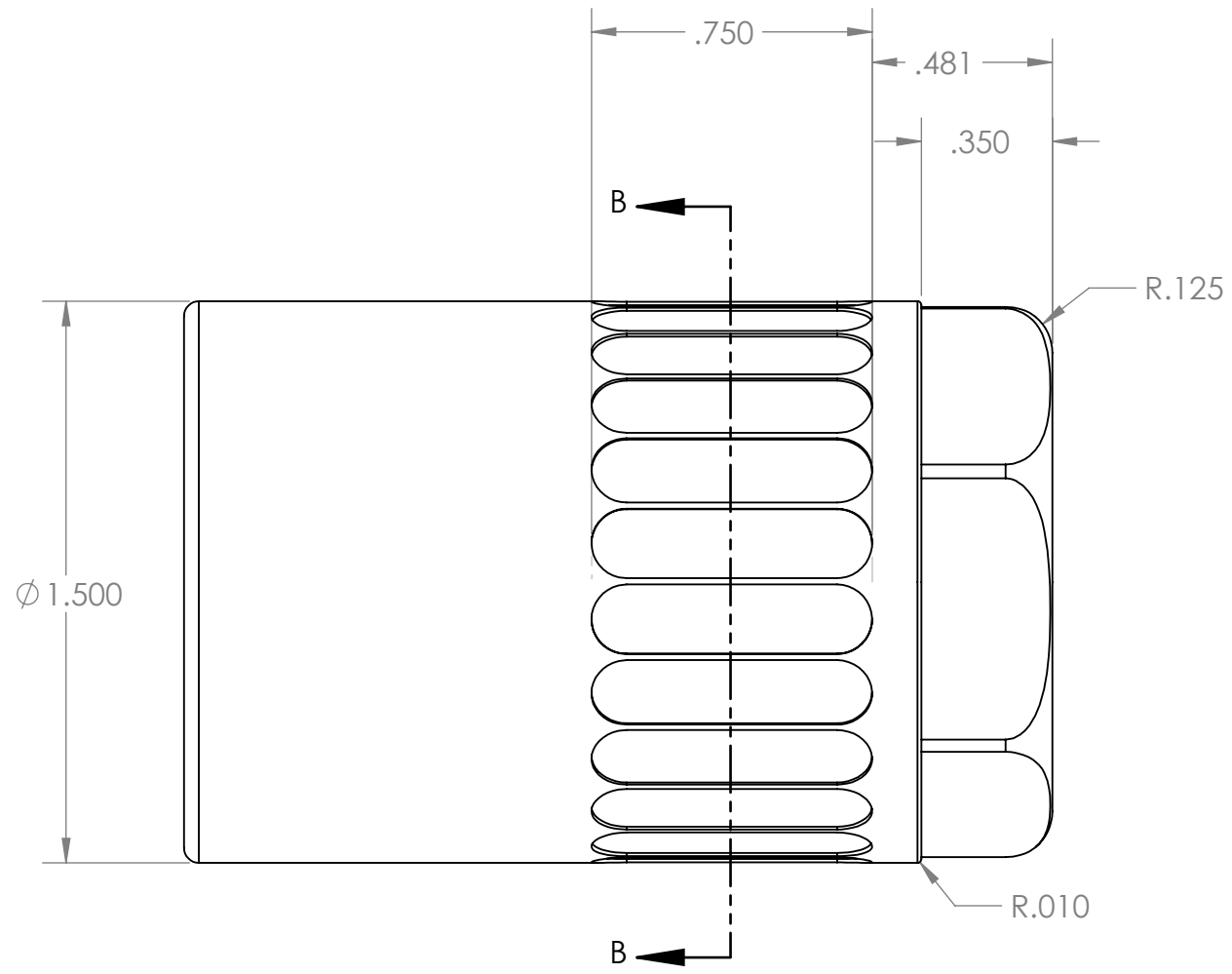
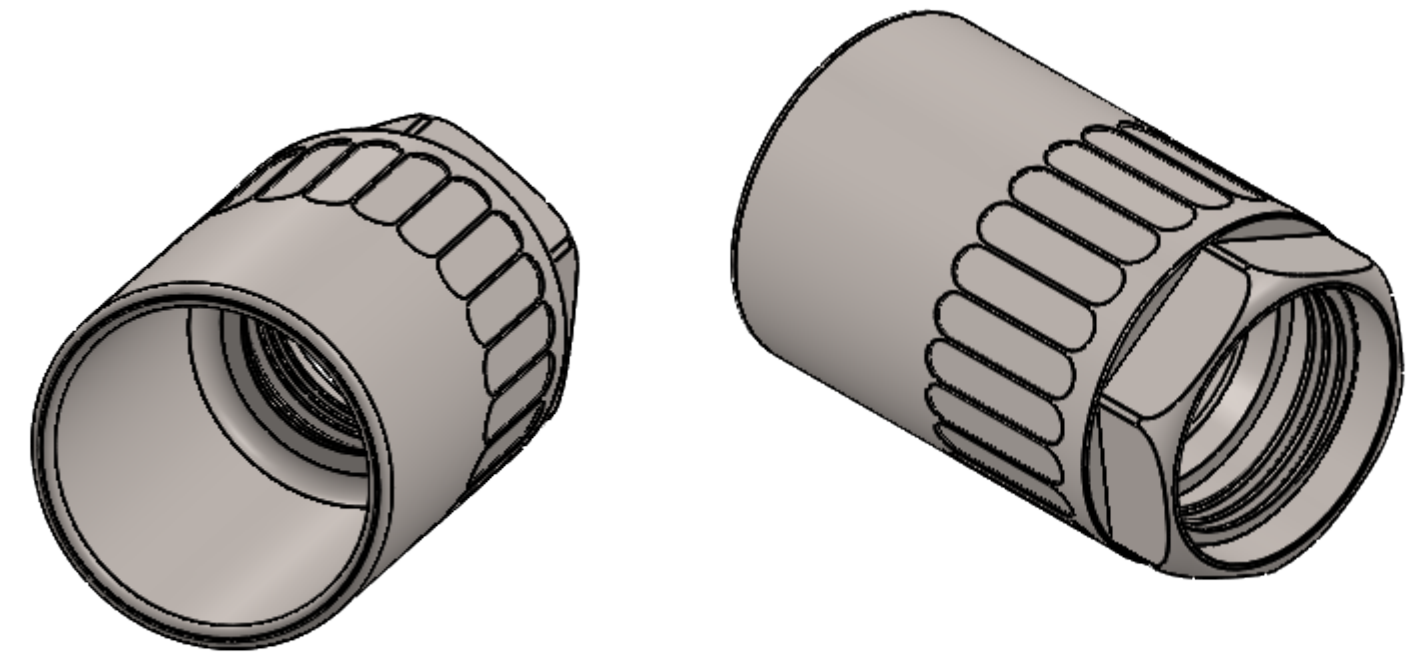


-BREAK ALL SHARP EDGES .005-.015
 -TOLERANCE DECIMAL $\pm .005 \pm .0010$
 -MATERIAL TITANIUM T2 GRADE 5
 -ACME LEFT-HANDED THREAD



KEEP SHARP EDGES
ALL 23 SLOT

SECTION B-B
SCALE 2 : 1.5

PROPRIETARY AND CONFIDENTIAL
 THE INFORMATION CONTAINED IN THIS DRAWING IS THE SOLE PROPERTY OF ROYAL CANADIAN MOUNTED POLICE. ANY REPRODUCTION IN PART OR AS A WHOLE WITHOUT THE WRITTEN PERMISSION OF ROYAL CANADIAN MOUNTED POLICE IS PROHIBITED.

UNLESS OTHERWISE SPECIFIED:		DRAWN	NAME	DATE	RCMP-GRC TITLE: HUXWRX MUZZLE BRAKE BUSHING
DIMENSIONS ARE IN INCHES		CHECKED	D.L.	2023/10	
TOLERANCES:		ENG APPR.			
FRACTIONAL \pm		MFG APPR.			
ANGULAR: MACH \pm BEND \pm		Q.A.			
TWO PLACE DECIMAL \pm		COMMENTS:			SIZE DWG. NO.
THREE PLACE DECIMAL \pm					C 77005350
INTERPRET GEOMETRIC TOLERANCING PER:					REV
MATERIAL					
TITANIUM T2 GRADE2					
FINISH					
CLEAN					
DO NOT SCALE DRAWING					
NEXT ASSY	USED ON	APPLICATION		SCALE: 2:1	WEIGHT:
					SHEET 1 OF 1