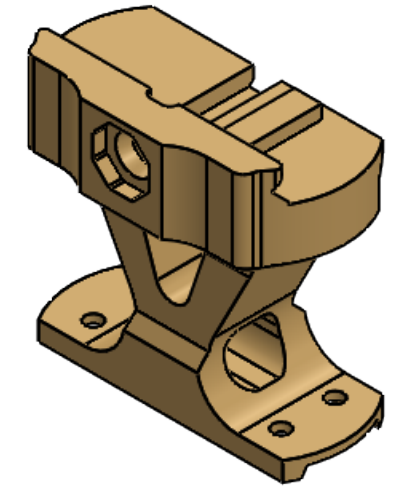
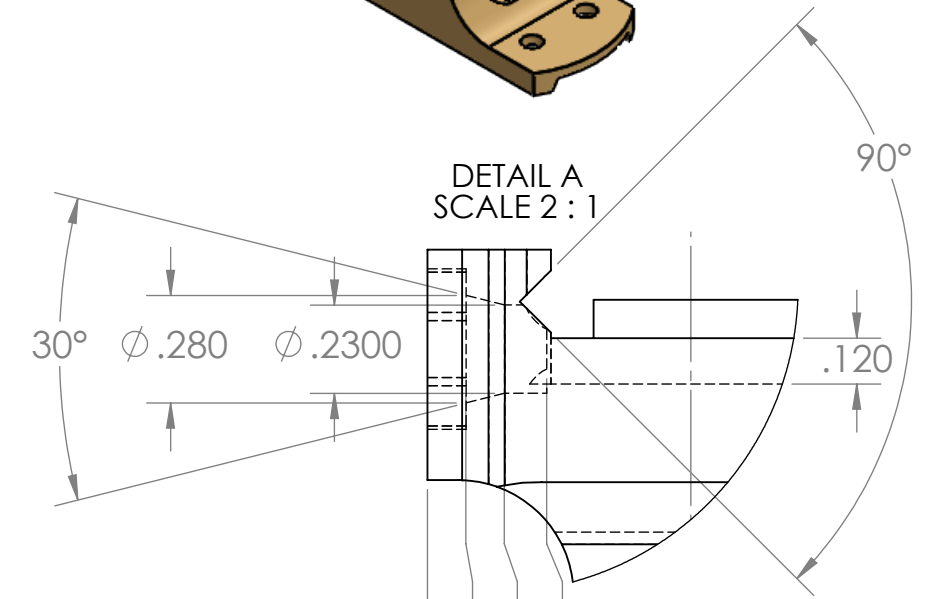
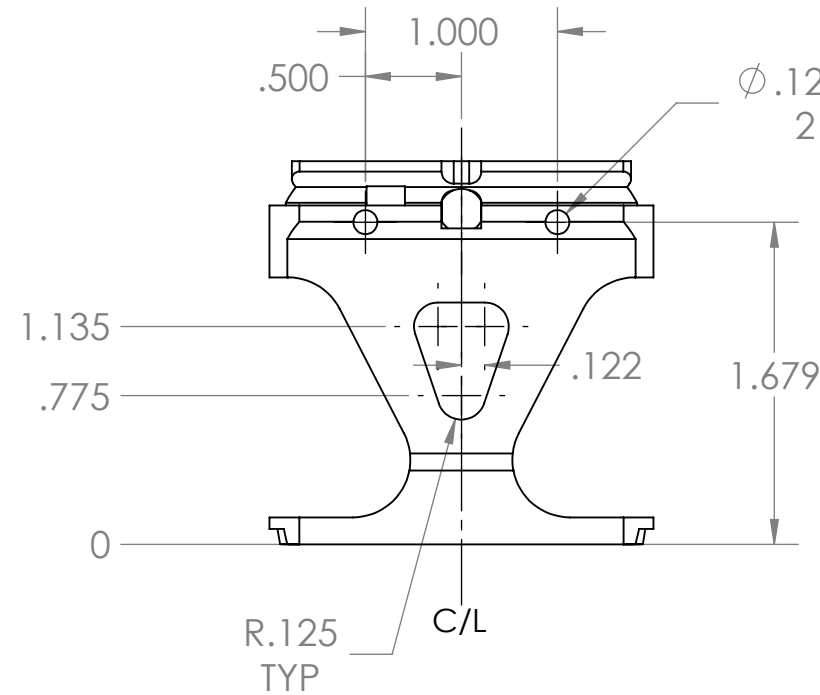
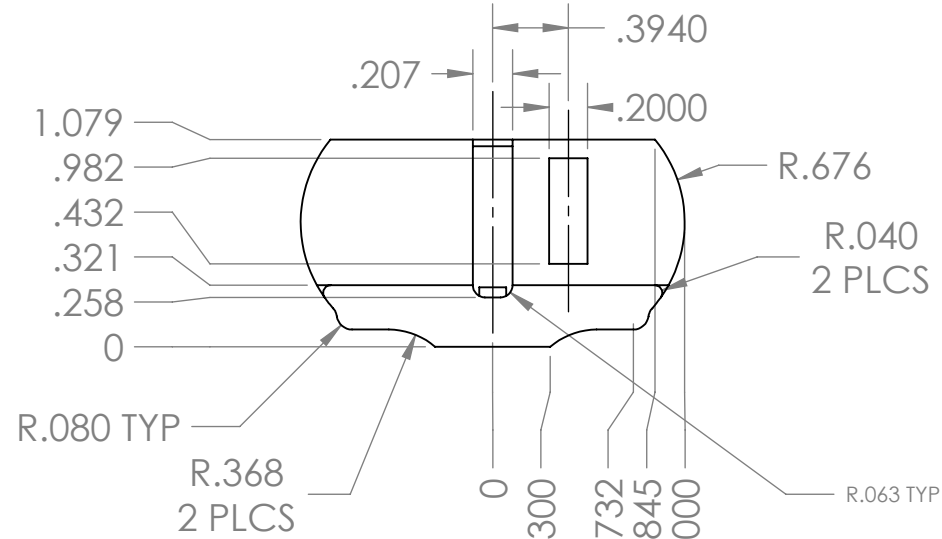


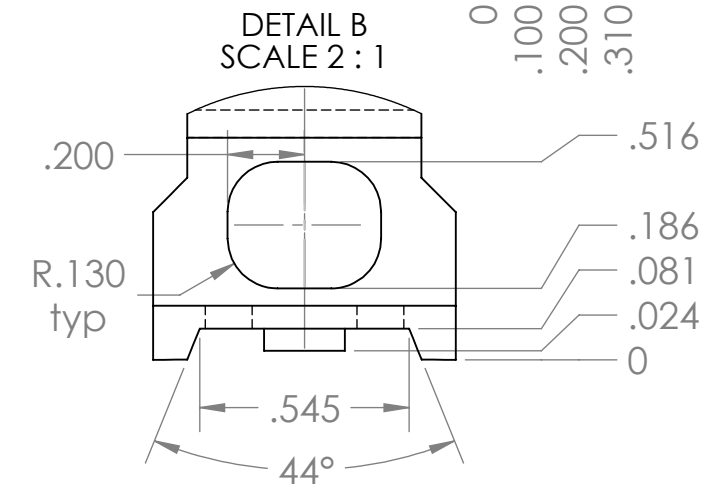
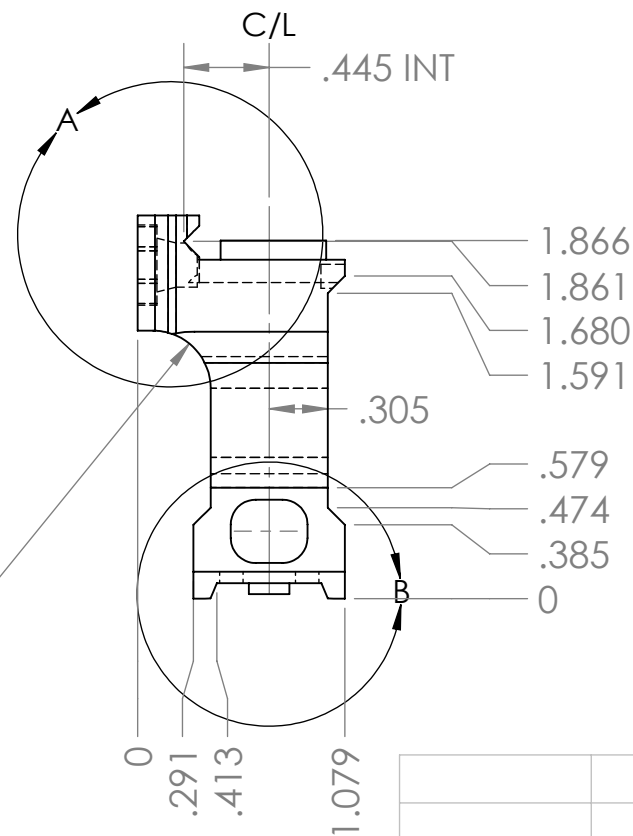
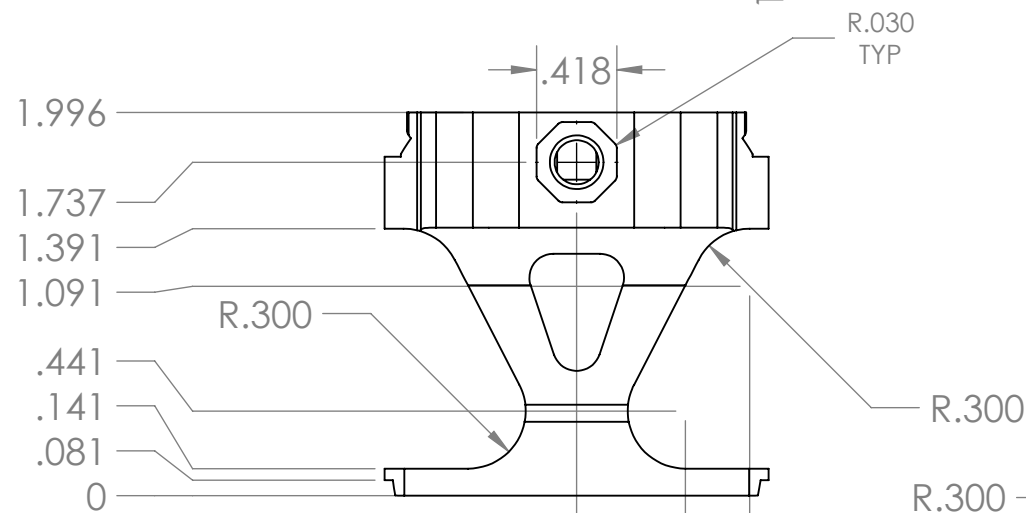
-BRAKE ALL SHARP EDGES .005-.015
 -TOLERANCE DECIMAL +/- .005 +/- .0010
 -MATERIAL ALU-7075
 -HARD COAT ANODIZE MIL-A-8625 TYPE III
 BLACK .002 SURFACE
 -ALL TOLERANCE APPLY AFTER ANODIZE



B

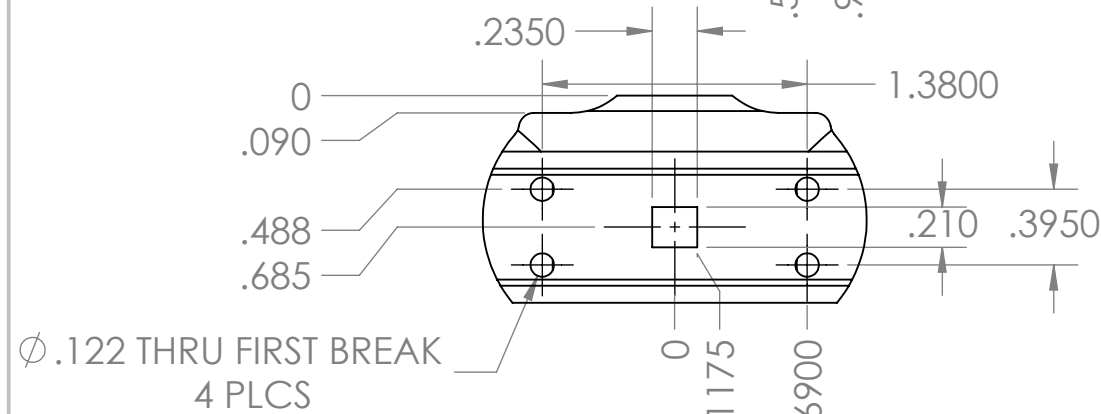


B



A

A



PROPRIETARY AND CONFIDENTIAL
 THE INFORMATION CONTAINED IN THIS DRAWING IS THE SOLE PROPERTY OF ROYAL CANADIAN MOUNTED POLICE ANY REPRODUCTION IN PART OR AS A WHOLE WITHOUT THE WRITTEN PERMISSION OF ROYAL CANADIAN MOUNTED POLICE IS PROHIBITED.

UNLESS OTHERWISE SPECIFIED:		NAME	DATE
DIMENSIONS ARE IN INCHES		DRAWN	
TOLERANCES:		CHECKED	
FRACTIONAL ±		ENG APPR.	
ANGULAR: MACH ± BEND ±		MFG APPR.	
TWO PLACE DECIMAL ±		Q.A.	
THREE PLACE DECIMAL ±		COMMENTS:	
INTERPRET GEOMETRIC TOLERANCING PER:			
MATERIAL			
FINISH			
NEXT ASSY	USED ON		
APPLICATION	DO NOT SCALE DRAWING		

RCMP-GRC		
TITLE:		
T2 RISER MOUNT		
SIZE	DWG. NO.	REV
B	77005354	
SCALE: 1:1	WEIGHT:	SHEET 1 OF 1

4

3

2

1