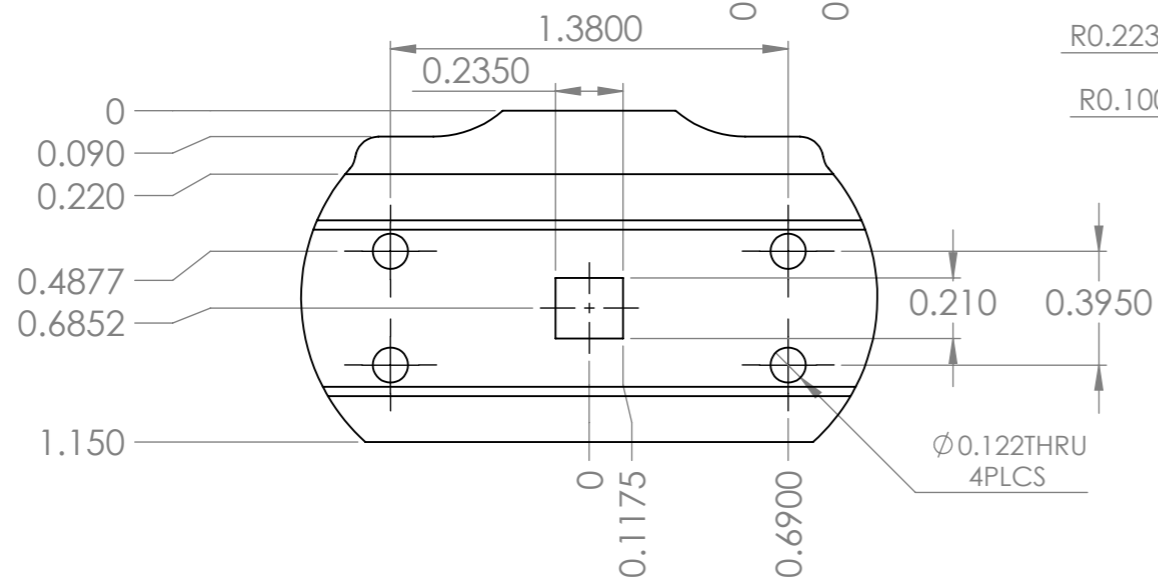
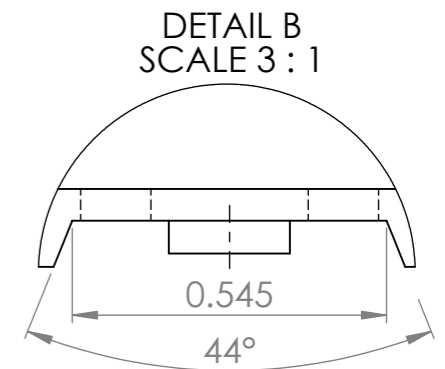
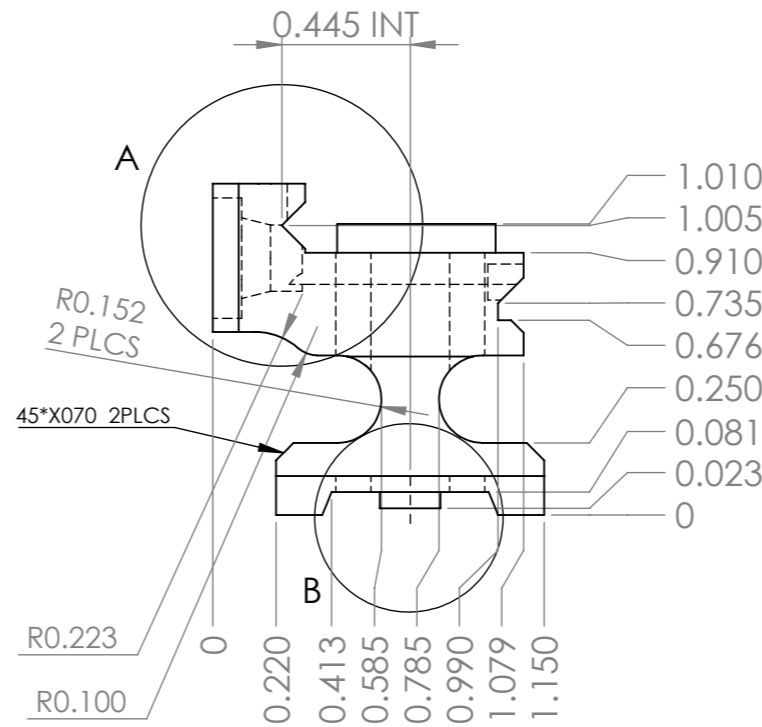
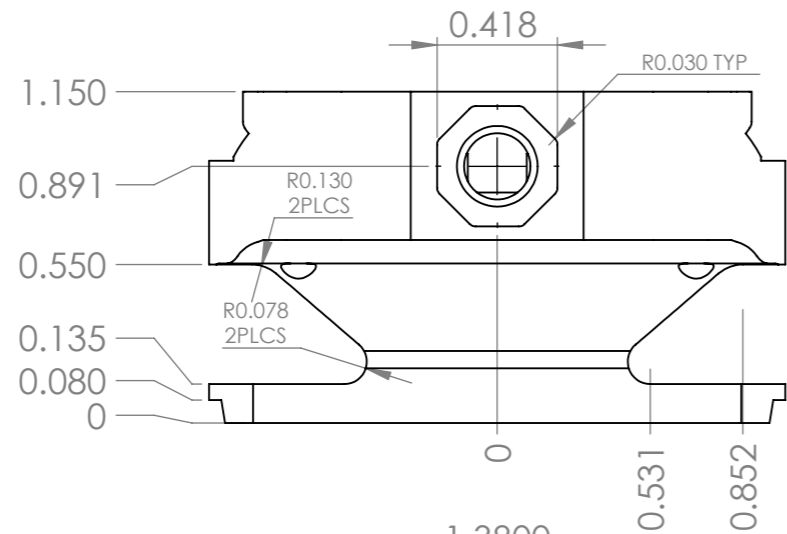
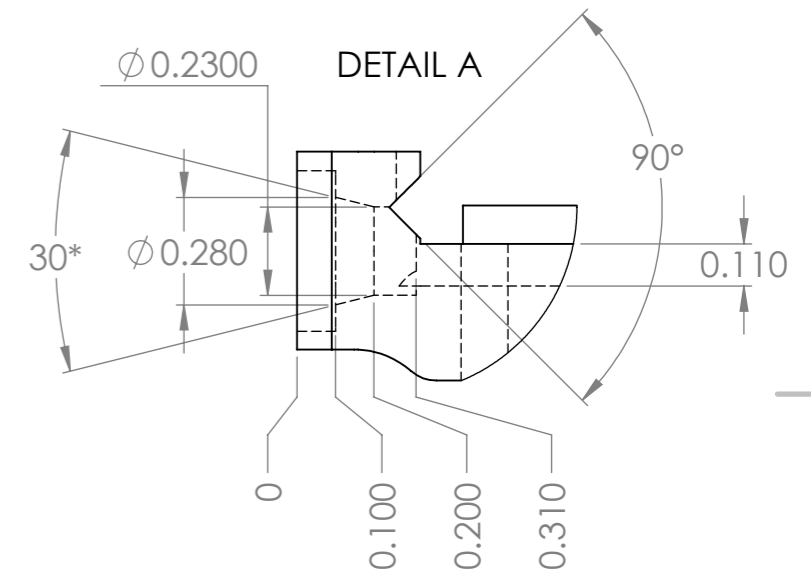
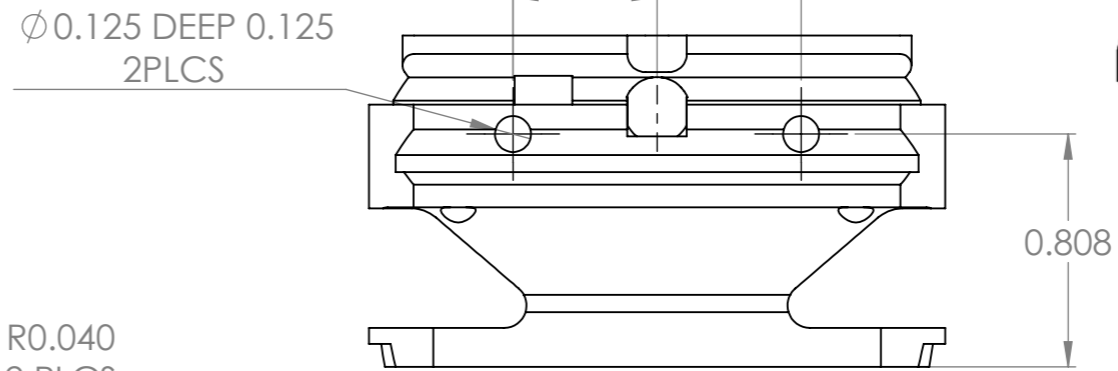
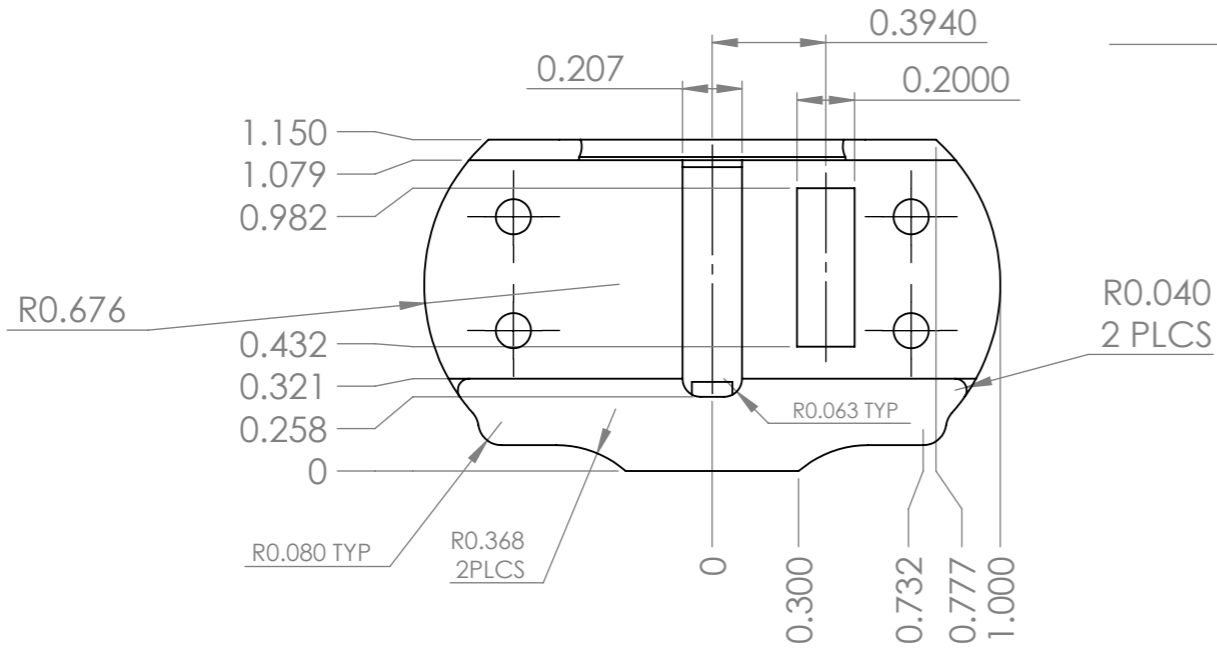
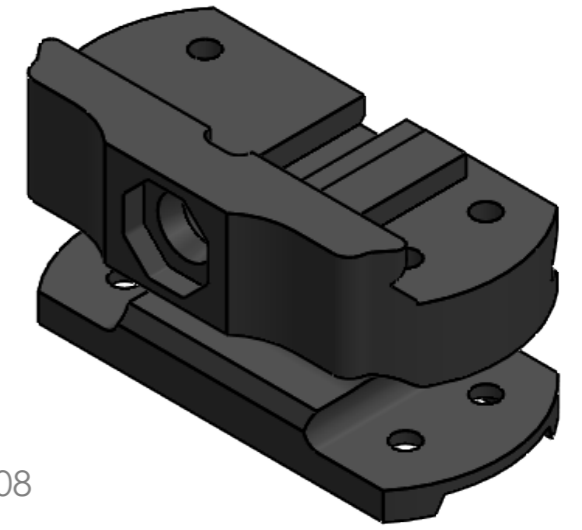


-BRAKE ALL SHARP EDGES .005-.015  
 -TOLERANCE DECIMAL +/- .005 +/- .0010  
 -MATERIAL ALU-7075  
 -HARD COAT ANODIZE MIL-A-8625 TYPE III CLASS 2 , MATT BLACK .002 SURFACE  
 -ALL TOLERANCE APPLY AFTER ANODIZE



UNLESS OTHERWISE SPECIFIED: DIMENSIONS ARE IN MILLIMETERS SURFACE FINISH: TOLERANCES: LINEAR: ANGULAR:			FINISH: <b>CLEAN</b>		DEBURR AND BREAK SHARP EDGES		DO NOT SCALE DRAWING		REVISION		
							<b>RCMP-GRC</b>				
							TITLE: <b>300T2MOUNT-REV2</b>				
							MATERIAL: <b>7075-T6</b>		DWG NO. <b>77004530</b>		A3
							WEIGHT:		SCALE:2:1		SHEET 1 OF 1

F  
E  
D  
C  
B  
A

F  
E  
D  
C  
B  
A

8 7 6 5 4 3 2 1

8 7 6 5 4 3 2 1